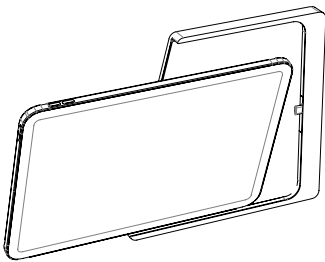


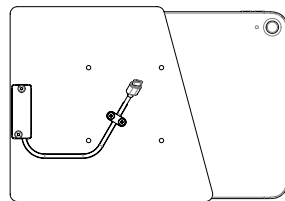


Companion Wall Home for iPad 10.9" 10th gen. is a fine one-side-open asymmetrical tablet wall mount. It is made from high-grade precisely machined aluminum, with powder coated surface finish.

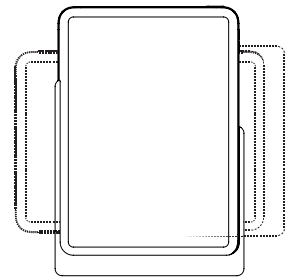
Product characteristics



easy insertion and removal of a tablet for portable use

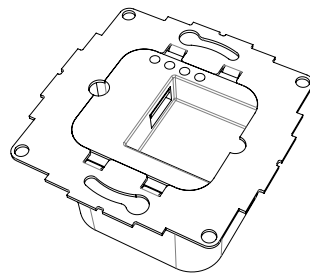


integrated power cable



horizontal or portrait view

Accessories



USB socket or PoE adapter

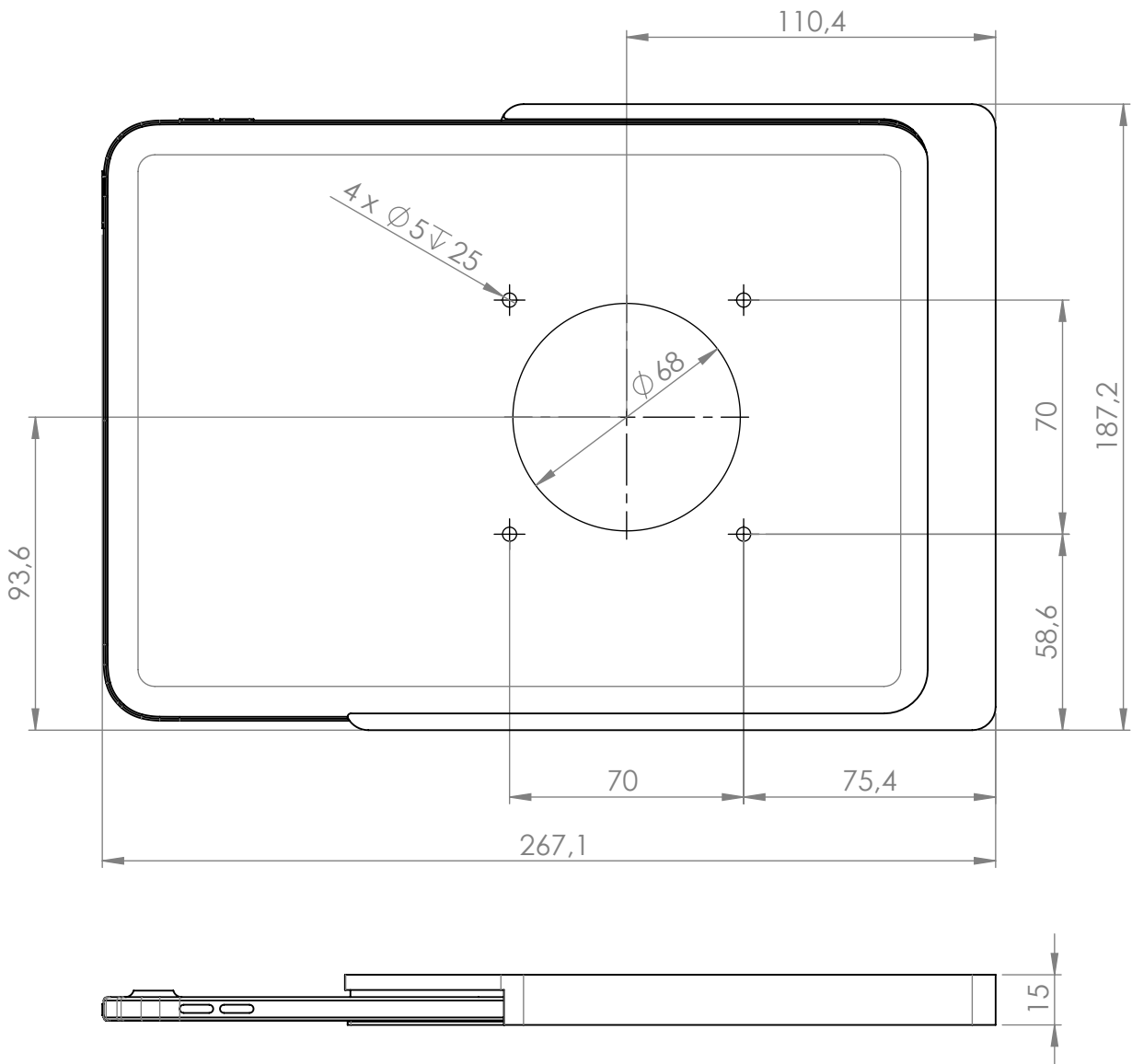


black powder coated - RAL 9005



white powder coated - RAL 9016

Companion Wall Home for iPad 10.9' (10th gen.)



Displine

DSP number	EAN	Product	Compatible devices	Weight <i>in kg</i>
DSP-1-12-1009-00-C	4260600745367	Companion Wall Home for iPad 10.9" 10th Gen. USB-C White Powder Coated	iPad 10.9" (10th gen.)	0.536
DSP-1-12-1009-02-C	4260600745374	Companion Wall Home for iPad 10.9" 10th Gen. USB-C Black Powder Coated	iPad 10.9" (10th gen.)	0.536
DSP-99-USB	4260600743059	USB electric concealed socket 12 W 2.4 A	All Displine tablet wall mounts	0.17

Displine GmbH
Mainzer Straße 97
65189 Wiesbaden

Contact
Piotr Stanczyk
tel.: +49 151 27 23 71 52
e-mail: info@displine.com