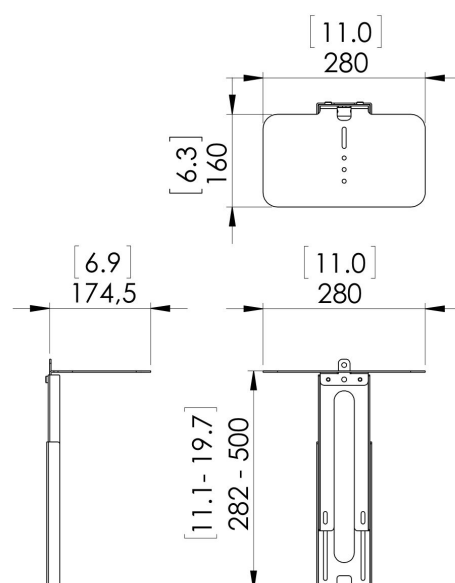


PVA 5050 AV support

With the Vogel's PVA 5050 a video conferencing camera and/or a loudspeaker can be mounted on any Connect-it interface bar. Therefore PVA 5050 can be used for any Connect-it floor, ceiling or wall solution. For example, the PVA 5050 is suitable for all Vogel's video conferencing furniture and Connect-it floorstands and trolleys.





PVA 5050 AV support



Specifications

<i>Article number (SKU)</i>	7015050
<i>Colour</i>	Black
<i>EAN single box</i>	8712285329128
<i>Height</i>	282
<i>Depth</i>	174
<i>Guarantee</i>	5 years
<i>Max. weight load (kg)</i>	10
<i>Max. screen size (inch)</i>	55
<i>Min. screen size (inch)</i>	40

VOGEL'S HOLDING BV (c)

All rights reserved.
Subject to printing errors,
technical and price
amendments.

Date: 2022-02-11