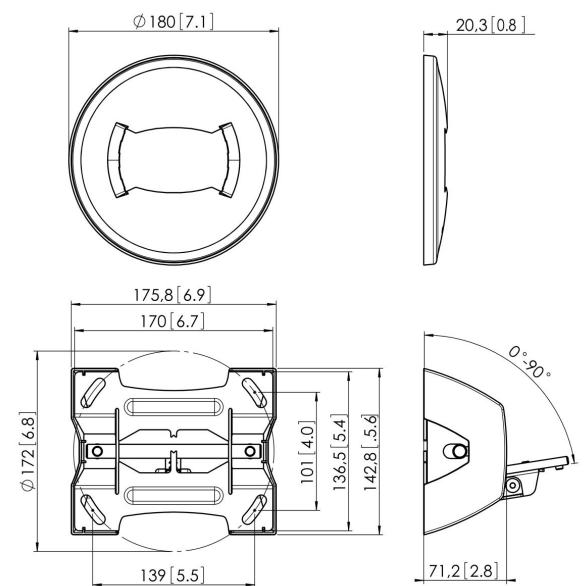
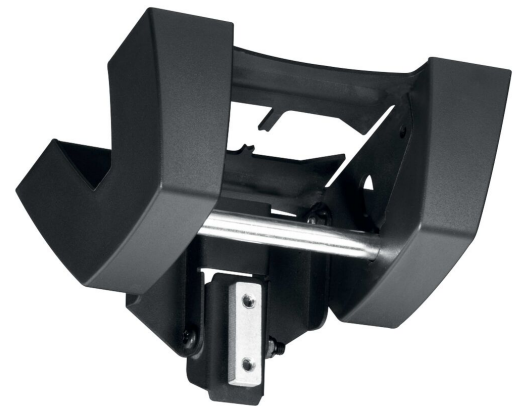
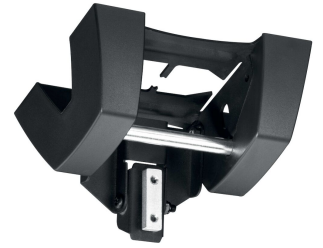




PUC 1070 Ceiling plate tilt

The PUC 1070 ceiling plate is a part of the modular Connect-it system with which you can create a ceiling solution for medium- to large-sized displays.





PUC 1070 Ceiling plate tilt

Specifications

<i>Article number (SKU)</i>	7210704
<i>Colour</i>	Black
<i>EAN single box</i>	8712285318689
<i>TÜV certified</i>	Yes
<i>Tilt</i>	Tilt up to 90°
<i>Guarantee</i>	5 years
<i>Max. weight load (kg)</i>	80
<i>Ceiling plate options</i>	Flat / inclined 0-90°
<i>Ceiling types</i>	Flat / inclined ceiling
<i>Connect It exceptions</i>	2x if inches gte 65
<i>Fischer inside</i>	Yes

VOGEL'S HOLDING BV (c)

All rights reserved.
Subject to printing errors,
technical and price
amendments.

Date: 2022-02-11



Vogel's. For Sure.