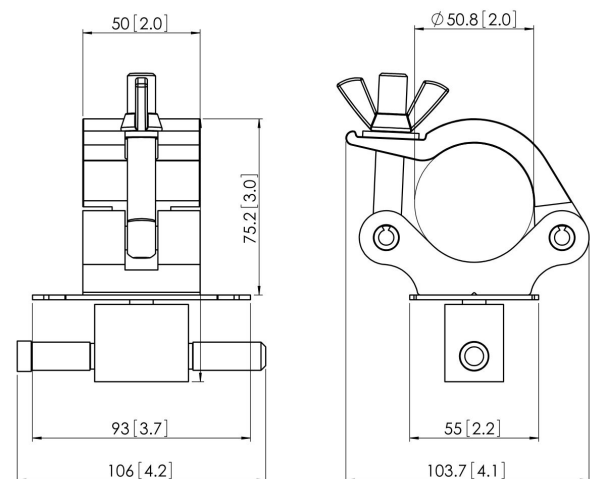


## **PUC 1090 Truss adapter**

*The PUC 1090 truss adapter is part of the modular Connect-it system with which you can create a truss solution for medium- to large-sized displays.*





## **PUC 1090 Truss adapter**



# **Specifications**

<i>Article number (SKU)</i>	7210904
<i>Colour</i>	Silver
<i>EAN single box</i>	8712285319389
<i>TÜV certified</i>	No
<i>Guarantee</i>	5 years
<i>Max. weight load (kg)</i>	80
<i>Ceiling plate options</i>	Truss system
<i>Ceiling types</i>	Truss system
<i>Connect It exceptions</i>	2x if inches gte 65
<i>Fischer inside</i>	No

VOGEL'S HOLDING BV (c)

All rights reserved.  
Subject to printing errors,  
technical and price  
amendments.

Date: 2022-02-11