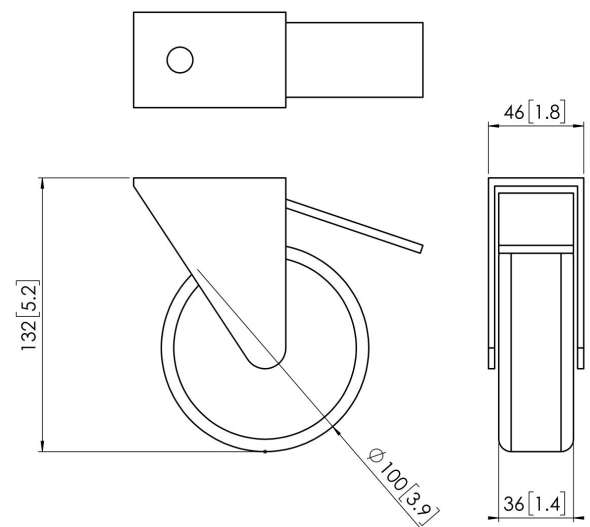


## **PFA 9114 Wheels heavy duty**

*Set of 4 large heavy duty swivel castor. These castors can be used to replace the standard wheels on the PFT85xx trolley frames, PFT2520 trolley and all Vogel's height adjustable motorized trolleys.*





## **PFA 9114 Wheels heavy duty**



# **Specifications**

<i>Article number (SKU)</i>	7291144
<i>Colour</i>	Silver
<i>EAN single box</i>	8712285324062
<i>Guarantee</i>	5 years
<i>Max. weight load (kg)</i>	160

VOGEL'S HOLDING BV (c)

All rights reserved.  
Subject to printing errors,  
technical and price  
amendments.

Date: 2022-02-10