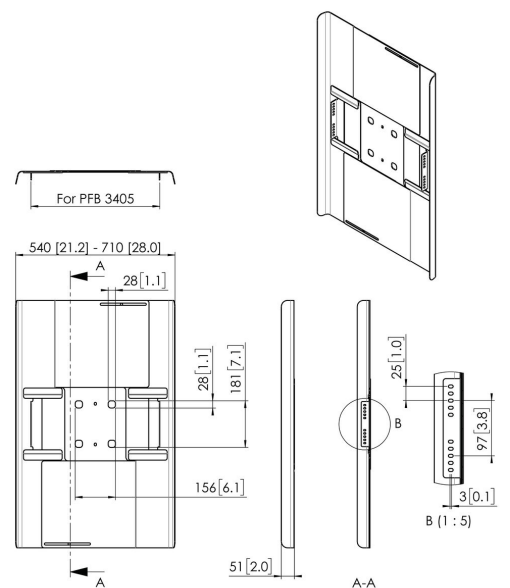
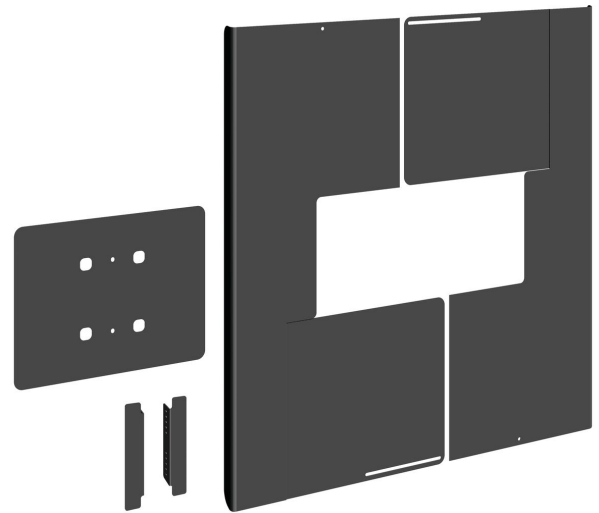


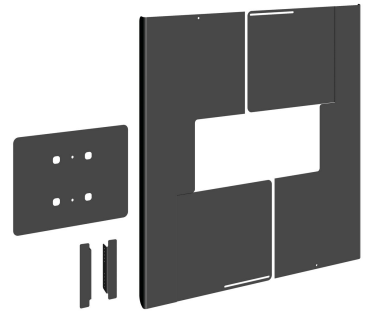
PFA 9120 Back covers portrait 42-49"

Universal display rear covers are designed to cover the rear of the display, hiding cables and players from view and to prevent for tampering. The rear covers can be used in combination with Connect-it ceiling and Connect-it floor solutions. The PFA 9115 and PFA 9116 are for single pole landscape mounting. The PFA 9120 and PFA 9121 are for single pole portrait mounting.





PFA 9120 Back covers portrait 42-49"



Specifications

<i>Article number (SKU)</i>	7291200
<i>Colour</i>	Black
<i>EAN single box</i>	8712285327469
<i>Guarantee</i>	5 years
<i>Max. screen size (inch)</i>	49
<i>Min. screen size (inch)</i>	42

VOGEL'S HOLDING BV (c)

All rights reserved.
Subject to printing errors,
technical and price
amendments.

Date: 2022-02-11