



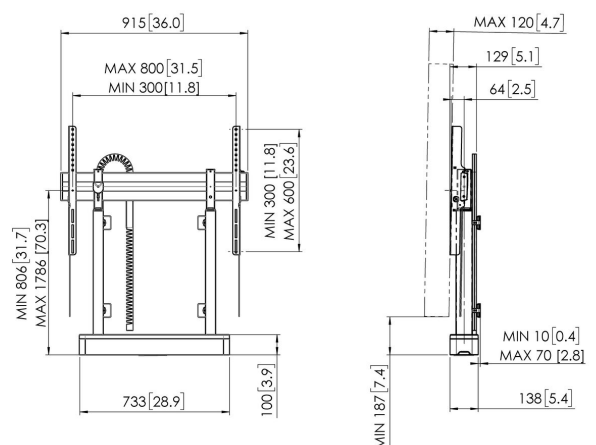
RISE 2008 Motorized display lift floor-wall solution 80 mm/s (black, EU)

Key Benefits

- Height adjustment range of no less than 980 mm
- Movement speed of 80 mm/s for the heaviest screens with QuickRise™
- TÜV and CE certified
- Lock your TV with a single click through ClickLoc™
- Integrated cable management (CIS®)

Adjust your screen to the right height smoothly and safely

The RISE 2008 motorized display lift floor-wall solution holds interactive flat panel displays up to 86" (max. 120 kg). Effortlessly reach the right height at a speed of 80 mm/s with QuickRise™. A travel range of 980mm is suitable for very low or high positions. Safety first The floor and wall mounting ensures that it will be solidly fixed in place in any room. All Vogel's display lifts comply with the highest international safety standards of TÜV and CE (UL and GS on request).





**RISE 2008 Motorized display
lift floor-wall solution 80 mm/s
(black, EU)**

Specifications

Article number (SKU)	7320080
Colour	Black
EAN single box	8712285357305
Height	1118
Width	915
Depth	120
TÜV certified	Yes
Guarantee	5 years
Min. screen size (inch)	65
Max. screen size (inch)	86
Max. weight load (kg)	120
Certifications	CE
Max. distance to floor - center display (mm)	1786
Max. horizontal hole pattern (mm)	800
Max. vertical hole pattern (mm)	600
Min. distance to floor - center display (mm)	806
Min. horizontal hole pattern (mm)	300
Min. vertical hole pattern (mm)	300
Motorized	True
Travel	980

VOGEL'S HOLDING BV (c)

All rights reserved.
Subject to printing errors,
technical and price
amendments.

Date: 2022-02-17



Vogel's. For Sure.