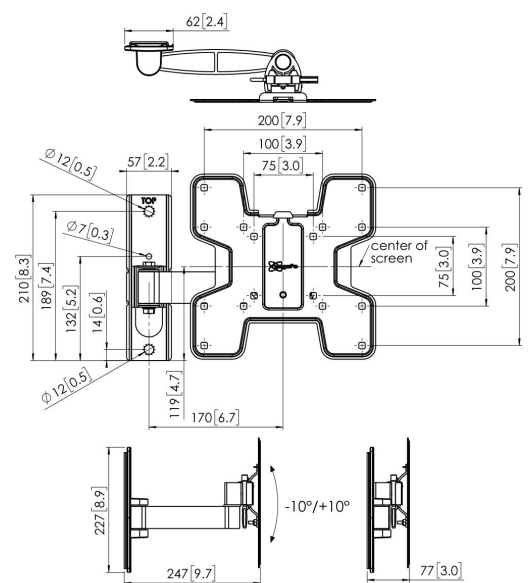
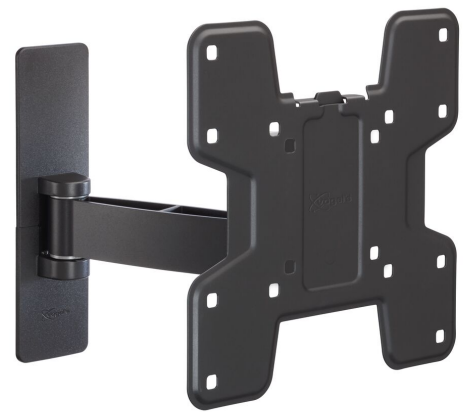




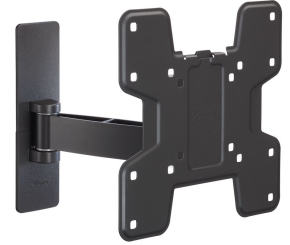
PFW 2030 Display wall mount turn & tilt

The clean and slim PFW 2000 Series is designed with hospitality content in mind.





PFW 2030 Display wall mount turn & tilt



Specifications

<i>Article number (SKU)</i>	7320300
<i>Colour</i>	Black
<i>EAN single box</i>	8712285335129
<i>Product size</i>	S
<i>TÜV certified</i>	Yes
<i>Tilt</i>	Tilt -10°/+10°
<i>Turn</i>	Up to 120°
<i>Guarantee</i>	5 years
<i>Min. screen size (inch)</i>	19
<i>Max. screen size (inch)</i>	43
<i>Max. weight load (kg)</i>	16
<i>Max. bolt size</i>	M8
<i>Max. height of interface (mm)</i>	235
<i>Max. width of interface (mm)</i>	235
<i>Fischer inside</i>	Yes
<i>Levelling function</i>	Post-installation horizontal levelling
<i>Lockable</i>	True
<i>Lock options</i>	Lock included / integrated
<i>Max. distance to the wall (mm)</i>	247
<i>Max. horizontal hole pattern (mm)</i>	200
<i>Max. screen size (inch)</i>	43
<i>Max. vertical hole pattern (mm)</i>	200
<i>Min. distance to the wall (mm)</i>	77
<i>Min. horizontal hole pattern (mm)</i>	75
<i>Min. screen size (inch)</i>	19
<i>Min. vertical hole pattern (mm)</i>	75
<i>Number of pivot points</i>	2
<i>Universal or fixed hole pattern</i>	Fixed

VOGEL'S HOLDING BV (c)

All rights reserved.
Subject to printing errors,
technical and price
amendments.

Date: 2022-02-11



Vogel's. For Sure.