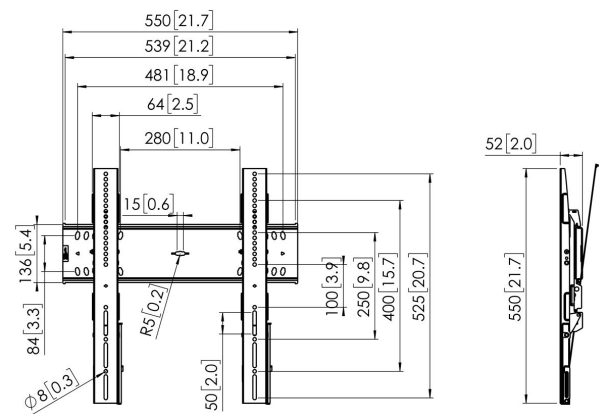


PFW 6410 Display wall mount tilt

The PFW 6410 is a sturdy tilting wall mount. The mount can hold displays from 46 to 65 inch (116 cm to 165 cm), weighing up to 75 kg (165 lbs)



PFW 6410 Display wall mount tilt



Specifications

Article number (SKU)	7364100
Colour	Black
EAN single box	8712285334146
Product size	M
TÜV certified	Yes
Tilt	Tilt up to 15°
Guarantee	5 years
Min. screen size (inch)	46
Max. screen size (inch)	65
Max. weight load (kg)	75
Min. hole pattern	75mm x 75mm
Max. hole pattern	400mm x 400mm
Max. bolt size	M8
Max. height of interface (mm)	552
Max. width of interface (mm)	550
Fischer inside	Yes
Levelling function	Post-installation horizontal levelling
Lock options	Lock included / integrated
Max. horizontal hole pattern (mm)	400
Max. screen size (inch)	65
Max. vertical hole pattern (mm)	400
Min. distance to the wall (mm)	52
Min. horizontal hole pattern (mm)	75
Min. screen size (inch)	46
Min. vertical hole pattern (mm)	75
Orientation	Landscape
Service position	Yes
Universal or fixed hole pattern	Universal

VOGEL'S HOLDING BV (c)

All rights reserved.
Subject to printing errors,
technical and price
amendments.

Date: 2022-02-11



Vogel's. For Sure.