

PFW 6855

Installation Guide

Installationsanleitung, Guía de Instalación, Guida de Installazione, Guide d'Installation, Installatie gids

(GB) Subject to printing errors and technical amendments.
 (NL) Drukfouten en technische wijzigingen voorbehouden.
 (F) Sous réserve de fautes d'impression et de modifications techniques.
 (D) Für Druckfehler übernehmen wir keine Verantwortung.
 Technische Änderungen vorbehalten.
 (E) Reservados errores de imprenta y sujeta a modificaciones.
 (I) Con riserva di modifiche tecniche e di eventuali errori di stampa.
 (P) Reserva-se a ocorrência de gralhas e de modificações técnicas.
 (H) Nyomdahibák és technikai változtatások joga fenntartva.
 (PL) Zastrzeżenie się możliwość występowania błędów drukarskich i zmian technicznych.
 (RU) Возможны ошибки при печати и технические модификации.

Designed and engineered in the Netherlands
 More information on: www.vogels.com

VOGEL'S PRODUCTS BV, HONDSRUGLAAN 93, 5628 DB EINDHOVEN, THE NETHERLANDS



Max: 227kg/500lbs

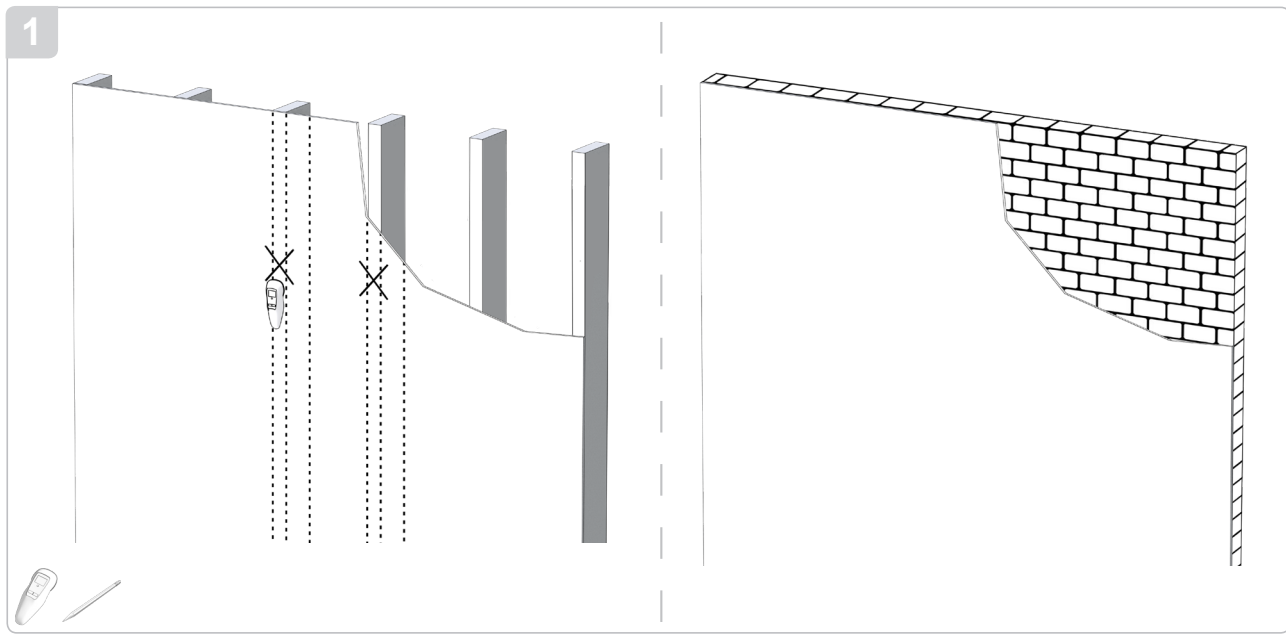
Refer to Step:

Included components

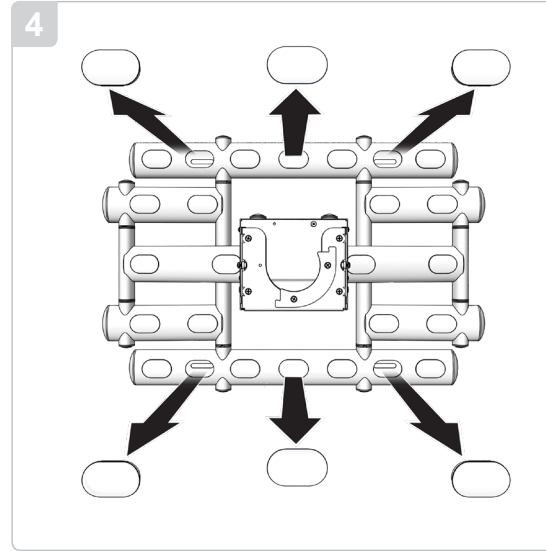
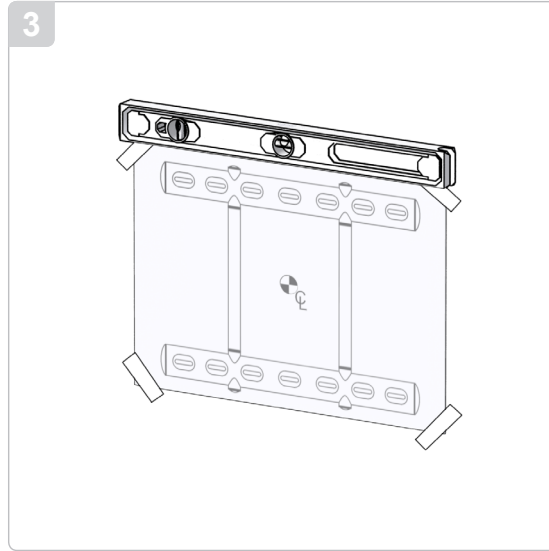
- 3 5/16" x 3" x6, 5/16" x6, M10 x 60 x6
- 10 M6 x 12mm x2, M8 x 10mm x4, M5 x 6mm x2, 5/32" x1, 2.5mm x1
- 3 Drill Template x1
- 10 M8 x 16mm x4, M8 x 20mm x4, M8 x 30mm x4, Washers x8

Required for installation

- Drill Bit
- 1/4" / 6mm Drill Bit
- 3/8" Masonry Drill Bit
- Stud Finder
- Safety Goggles
- Screwdriver
- Pencil
- Level
- M10
- 1/2"/13mm

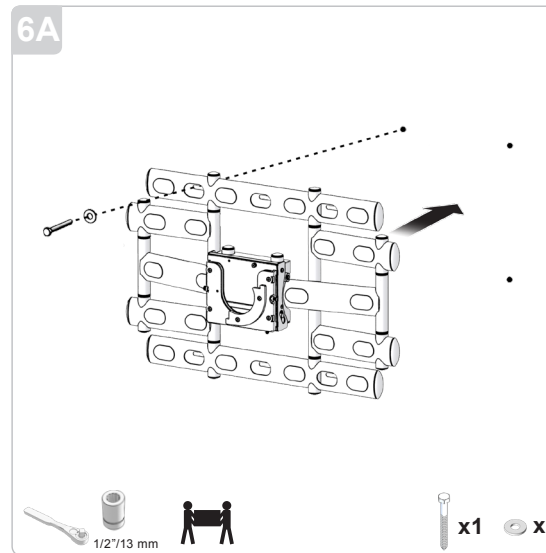
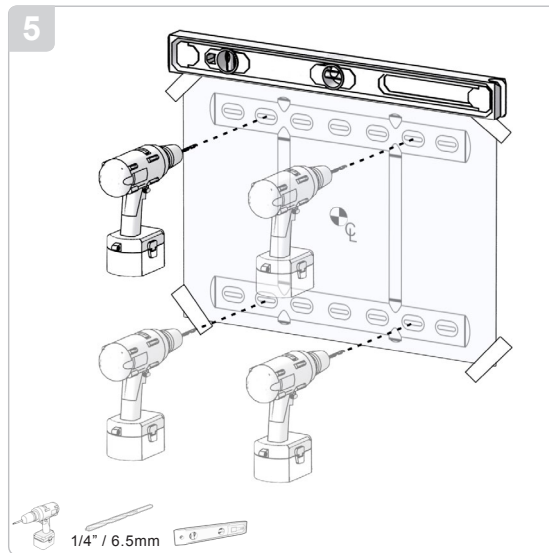


Note: It is extremely important that this installation be carried out by well qualified installation personal and the mounting surface capable of supported the weight of the display mount together through out the articulating range of the PFW 6855 series mount.

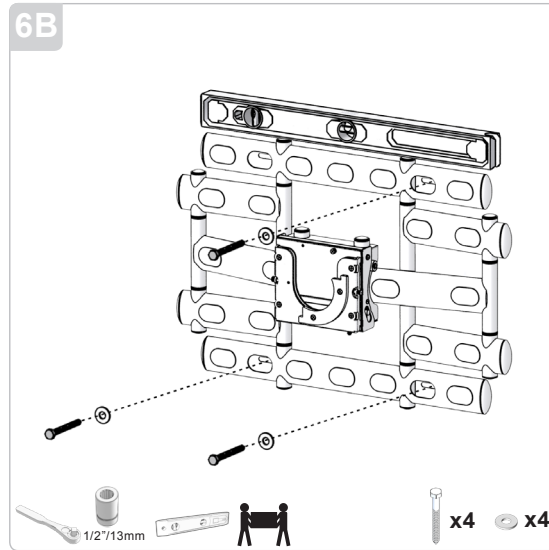


Take the mounting template supplied insure the template is centered and level at the desired height on the mounting surface. Mark the mounting hole (six recommended) three on top and three on bottom.

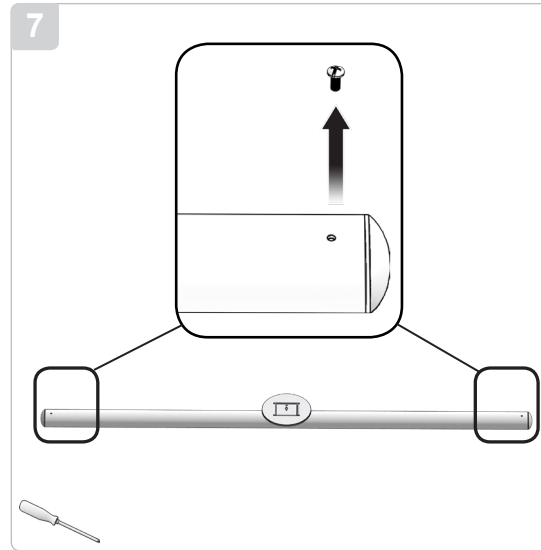
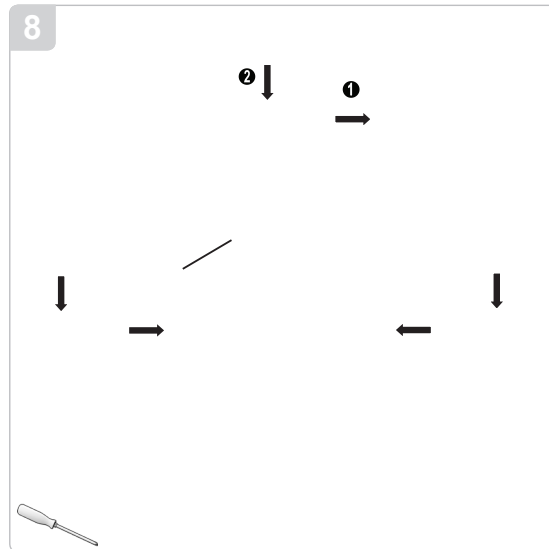
Note: drill mounting pilot holes to a proper depth to insure the lag or wedge anchor bolts are fully engaged into the hole.



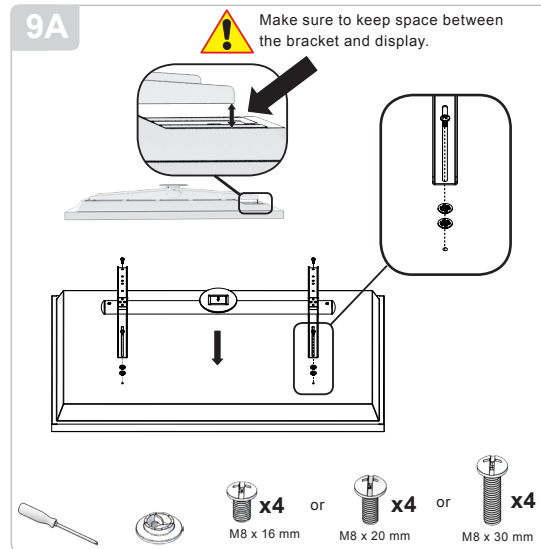
With minimum two people place the PFW 6855 wall plate assembly and secure to the wall using the top center hole of the wall plate.
With a spirit level place on top of the wall plate level the mounts than secure the remaining bolts through the wall plate to the wall.

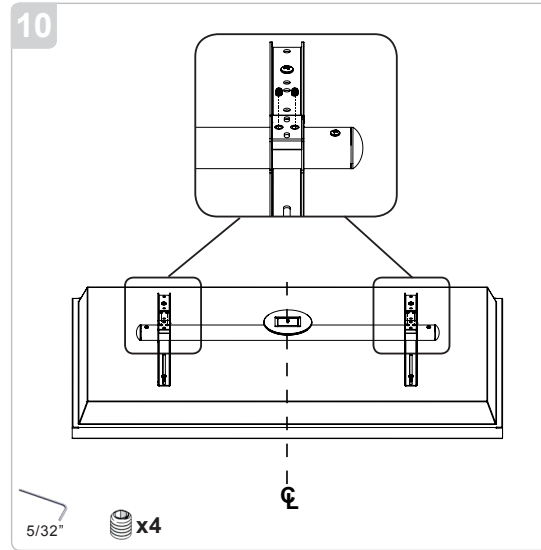
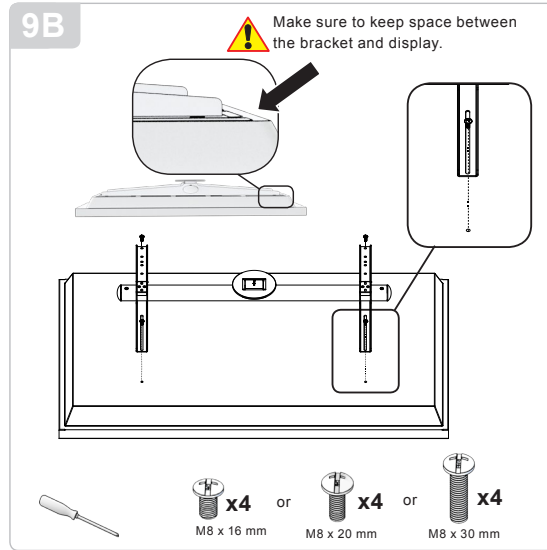


Remove the two security screws from the right and left side of the mounting bracket crossbar and slide the two mounting brackets inside the left and right side security screw hole and reinstall the two security screws.



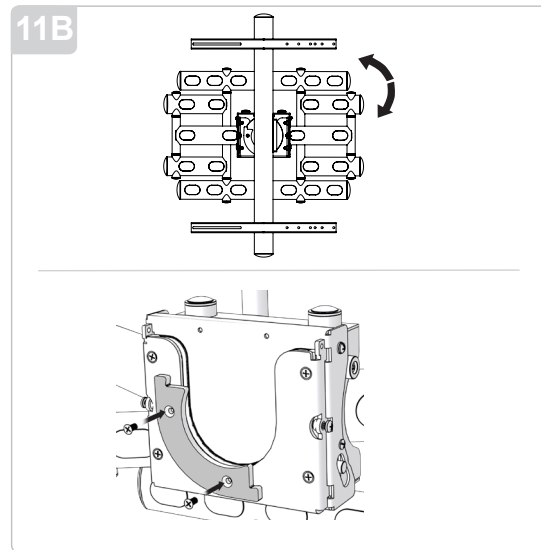
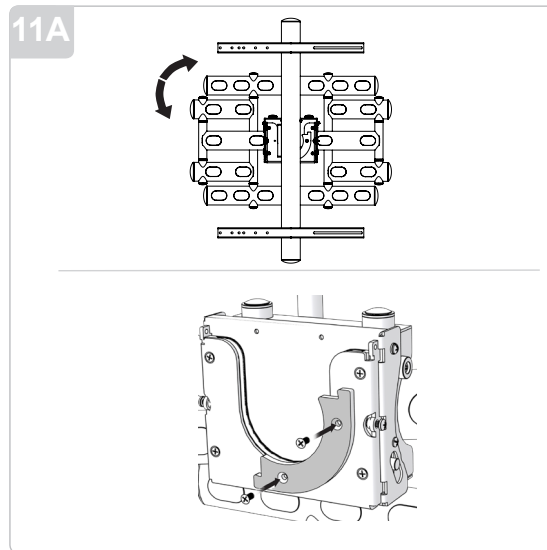
Remove the two security screws from the right and left side of the mounting bracket crossbar and slide the two mounting brackets inside the left and right side security screw hole and reinstall the two security screws.





Invert the flat panel display and place it on a smooth flat surface so the back of the display panel is facing up. Align the two mounting bracket to the four mounting points on the rear of the display and secure them bracket to the display with the proper "pitch" supplied hardware. Check the owners manual to determine correct pitch hardware recommended.

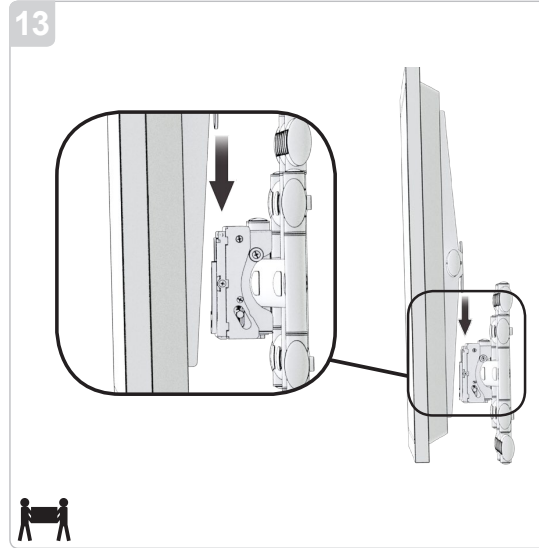
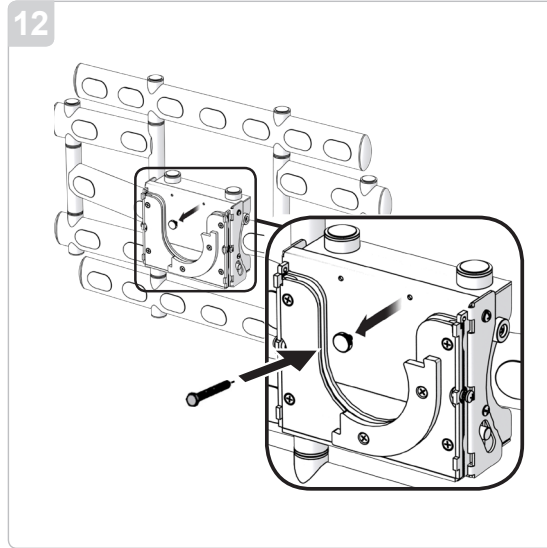
Once the mounting brackets are secured to the rear of the display, align the round portion of the cross bar so it is on dead center of the display from left to right side. Secure the cross bar to the bracket using the four Allen head screws supplied.





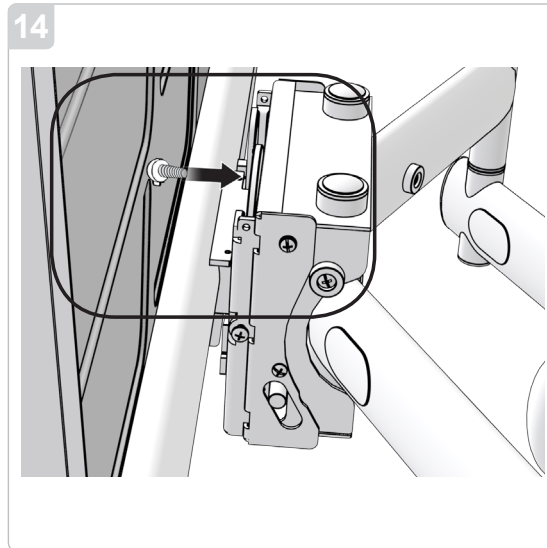
PFW 6855

Remove the 6mm knurl knob safety screw and set it aside.



Note: appropriate number of personal and possible installation lift aids lift and insert the round portion of the crossbar with display attached and safely insert the round portion of the cross bar into the open round receiver portion on the wall mount.

With the cross bar fully seating into the receiver reinstall the 6mm safety knurl knob.



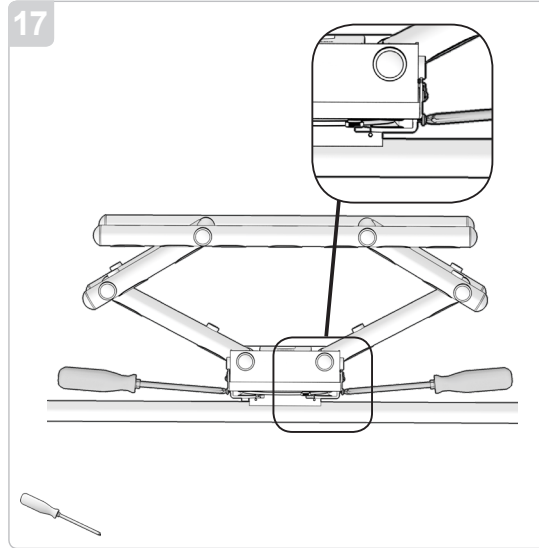
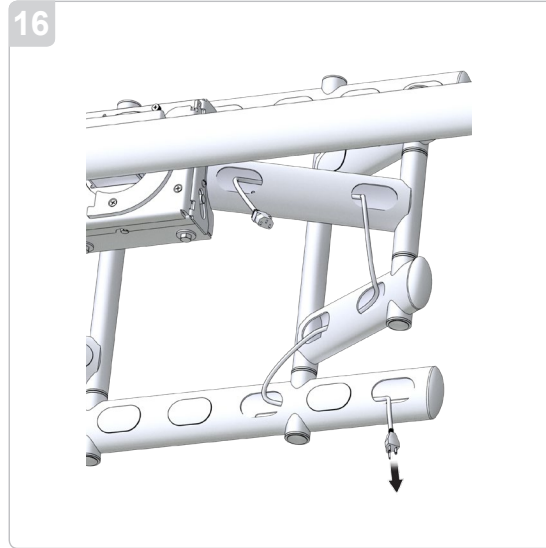
Once all mounting points and level of the display have been confirmed, remove the plastic covers to route cable from the wall to the display.



PFW 6855

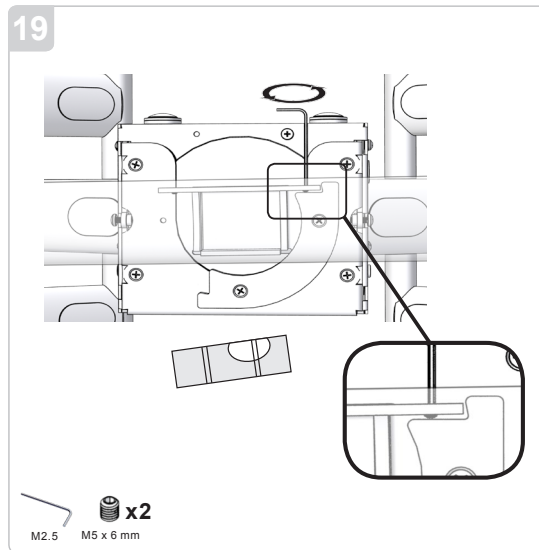
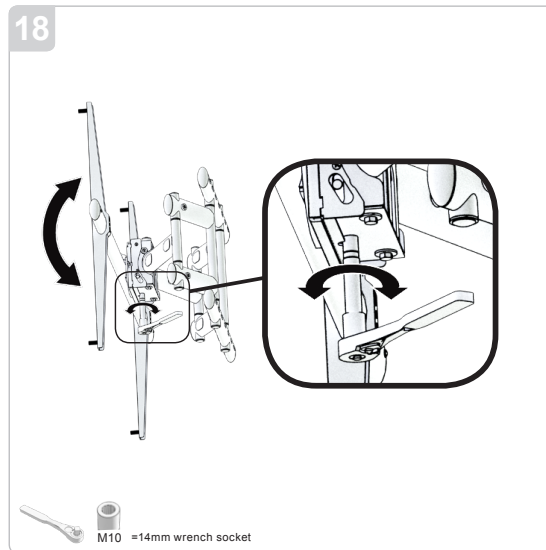
Power and signal cables may be conveniently run through the arms of the mount between the display and the power and signal source to assist in the clean look of the cable installed.

Note: Once cables have been installed carefully check the movement of the mount and cables together to insure there is no "pinching of the cables" when the mount is articulated.



The two side mounted screws in the receiver head of the mount can be adjusted to add or subtract tension in the rotation of the display in the mount.

The PFW 6855 has a unique "load offset adjustment" feature that allow for the heavier weight displays to be tilt corrected past base center back to level from top to bottom. With personal lifting gently "out" on the bottom of the display a 9/16" (14mm) socket may be used to increase or decrease the tilt feature of the mount.



With the 2.5mm Allen head wrench supplied, install the two each M5 x 6mm mini adjustment Allen head screws supplied to both sides of the "rotation" stop bar. Slowly turn the display to the level position in each direction and adjust the two adjust screw to set max rotation in each direction to level.