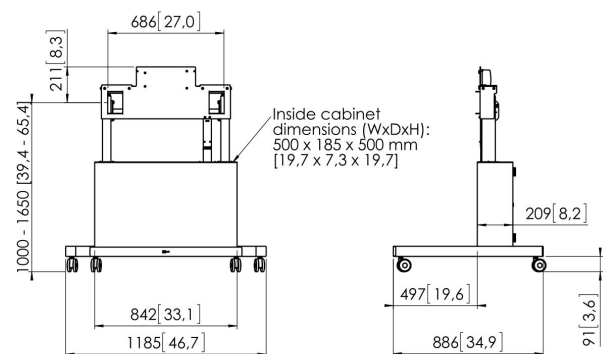




PFTE 7111 Display trolley motorized with cabinet

Vogel's designed the PFTE 7111 motorized height adjustable trolley especially for large LCD/plasma displays and large touch screen displays. It is ideal for use in schools, businesses, office centers and for video conferencing. The operation of the PFTE 7111 is extremely quiet and smooth. The touch screen trolley can be used for displays up to 85 inches and 160 kg. PFB 3402 / PFB 3405 not possible.





PFTE 7111 Display trolley motorized with cabinet



Specifications

<i>Article number (SKU)</i>	7371114
<i>Colour</i>	Silver
<i>EAN single box</i>	8712285323560
<i>TÜV certified</i>	Yes
<i>Guarantee</i>	5 years
<i>Min. screen size (inch)</i>	42
<i>Max. screen size (inch)</i>	86
<i>Max. weight load (kg)</i>	160
<i>Max. distance to floor - center display (mm)</i>	1650
<i>Min. distance to floor - center display (mm)</i>	1000
<i>Motorized</i>	True
<i>Remote controlled</i>	Yes
<i>Travel</i>	650

VOGEL'S HOLDING BV (c)

All rights reserved.
Subject to printing errors,
technical and price
amendments.

Date: 2022-02-11



Vogel's. For Sure.