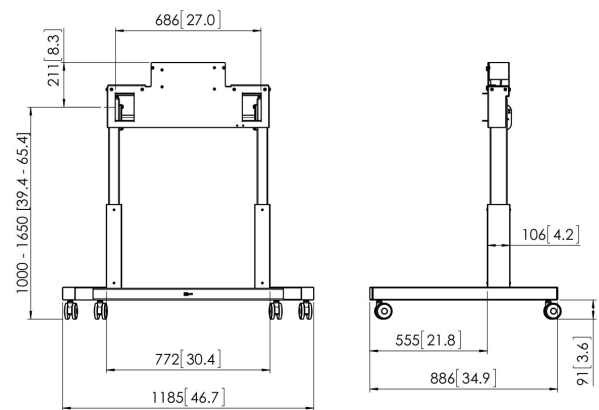


PFTE 7112 Display trolley motorized

Interactive displays are very popular for education and business use. For different length of users the height needs to be adjusted. As interactive displays are heavy, a motorized trolley or wall mount is the perfect ergonomic solution for mounting these type of displays. PFB 3402 / PFB 3405 not possible.





PFTE 7112 Display trolley motorized



Specifications

Article number (SKU)	7371124
Colour	Black
EAN single box	8712285323584
TÜV certified	Yes
Guarantee	5 years
Min. screen size (inch)	42
Max. screen size (inch)	86
Max. weight load (kg)	160
Max. distance to floor - center display (mm)	1650
Min. distance to floor - center display (mm)	1000
Motorized	True
Remote controlled	Yes
Travel	650

VOGEL'S HOLDING BV (c)

All rights reserved.
Subject to printing errors,
technical and price
amendments.

Date: 2022-02-11



Vogel's. For Sure.