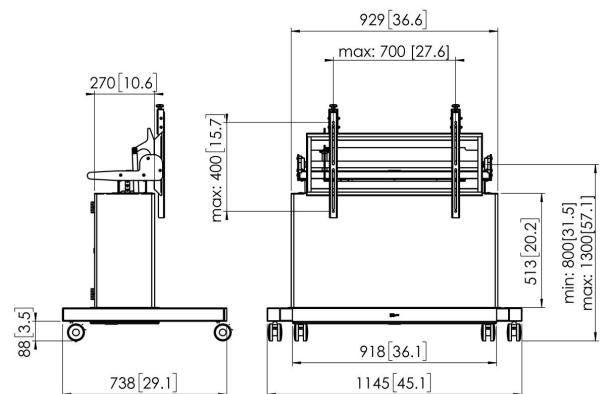




## PFTE 7121 Touch table motorized cabinet

The Vogel's touch table supports interactivity in every context at every angle. Whether it is a museum, trade fair or an university, the touch table allows you to show your content at its best.





## **PFTE 7121 Touch table motorized cabinet**



## **Specifications**

<i>Article number (SKU)</i>	7371214
<i>Colour</i>	Silver
<i>EAN single box</i>	8712285337161
<i>Guarantee</i>	5 years
<i>Min. screen size (inch)</i>	50
<i>Max. screen size (inch)</i>	86
<i>Max. weight load (kg)</i>	160
<i>Max. distance to floor - center display (mm)</i>	1300
<i>Max. horizontal hole pattern (mm)</i>	700
<i>Max. vertical hole pattern (mm)</i>	400
<i>Min. distance to floor - center display (mm)</i>	800
<i>Min. horizontal hole pattern (mm)</i>	100
<i>Min. vertical hole pattern (mm)</i>	100
<i>Motorized</i>	True
<i>Remote controlled</i>	Yes
<i>Travel</i>	500

VOGEL'S HOLDING BV (c)

All rights reserved.  
Subject to printing errors,  
technical and price  
amendments.

Date: 2022-02-11