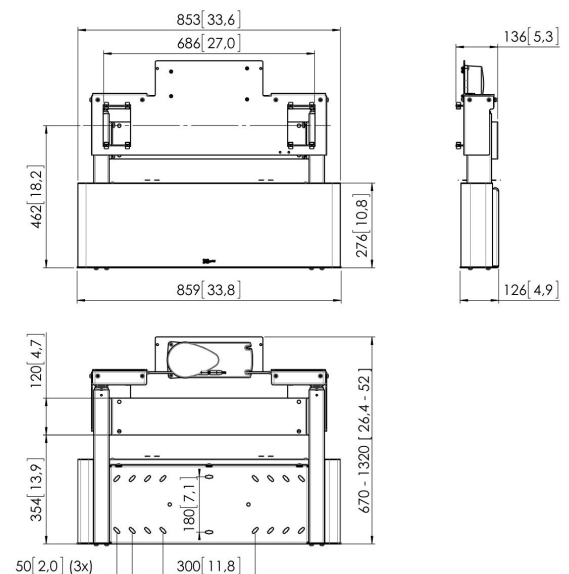




PFWE 7150 Display wall mount motorized

Interactive displays mounted to a wall need height adjustment for different length of users, especially in education but also in business use. As interactive displays are heavy, the Vogel's PFWE 7150 is the perfect, stylish and ergonomic solution.





PFWE 7150 Display wall mount motorized

Specifications

<i>Article number (SKU)</i>	7371504
<i>Colour</i>	Silver
<i>EAN single box</i>	8712285323607
<i>Guarantee</i>	5 years
<i>Min. screen size (inch)</i>	42
<i>Max. screen size (inch)</i>	86
<i>Max. weight load (kg)</i>	160
<i>Motorized</i>	True
<i>Remote controlled</i>	Yes
<i>Travel</i>	650

VOGEL'S HOLDING BV (c)

All rights reserved.
Subject to printing errors,
technical and price
amendments.

Date: 2022-02-11