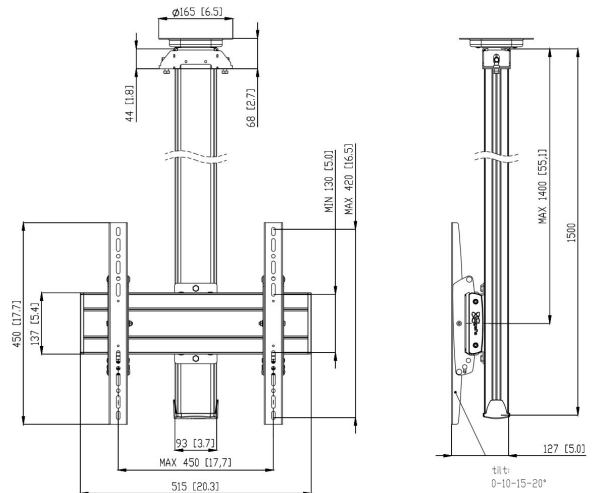




CT1544B Display Ceiling Mount turn (black)

Ceiling mount kit CT1544

Display size: Fitment: 400x400Max. load: 80 kg - 176 lbs Kit consists of: • 1x PUC 1065 Ceiling plate turn • 1x PUC 2515 Pole 150 cm • 1x PFB 3405 Interface bar • 1x PFS 3304 Interface display strips





CT1544B Display Ceiling Mount turn (black)



Specifications

Article number (SKU)	7950090
Colour	Black
EAN single box	8712285332449
Length	1500
Width	515
Depth	127
TÜV certified	Yes
Tilt	Tilt up to 20°
Turn	Up to 360°
Guarantee	5 years
Max. weight load (kg)	80
Min. hole pattern	100mm x 100mm
Max. hole pattern	450mm x 420mm
Max. bolt size	M8
Max. height of interface (mm)	450
Max. width of interface (mm)	515
Autolock	True
Ceiling types	Flat ceiling
Fischer inside	Yes
Max. distance to ceiling - center display (mm)	1400
Max. horizontal hole pattern (mm)	450
Max. screen size (inch)	65
Max. vertical hole pattern (mm)	420
Min. horizontal hole pattern (mm)	100
Min. vertical hole pattern (mm)	100
Universal or fixed hole pattern	Universal

VOGEL'S HOLDING BV (©)

All rights reserved.
Subject to printing errors,
technical and price
amendments.

Date: 2022-04-26



Vogel's. For Sure.