

**B-SYSTEM**  
INSTALLATION SOLUTIONS

# Euroboxx M wall

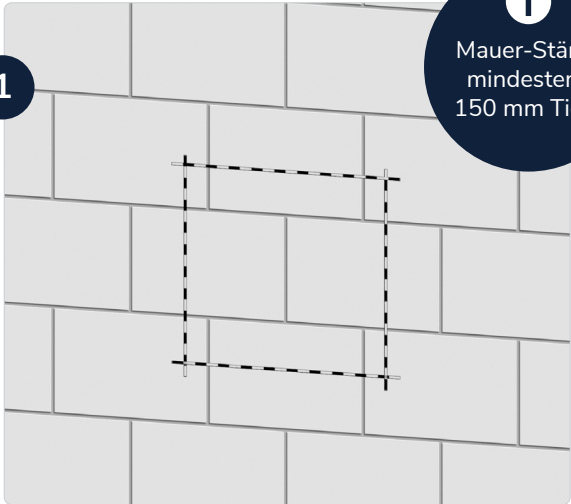
Gineos Version 220 mm

Installation

# Euroboxx M wall installation

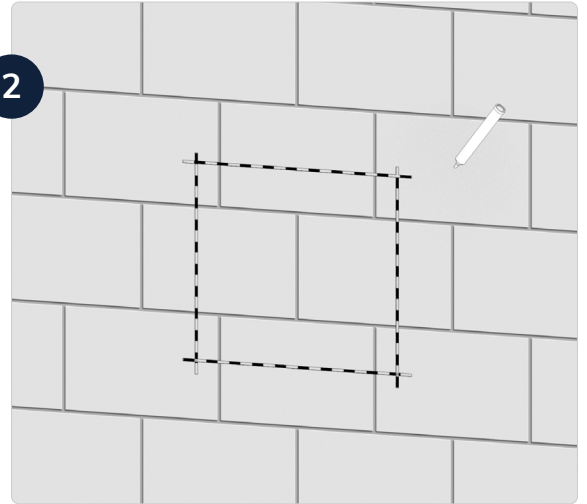


1

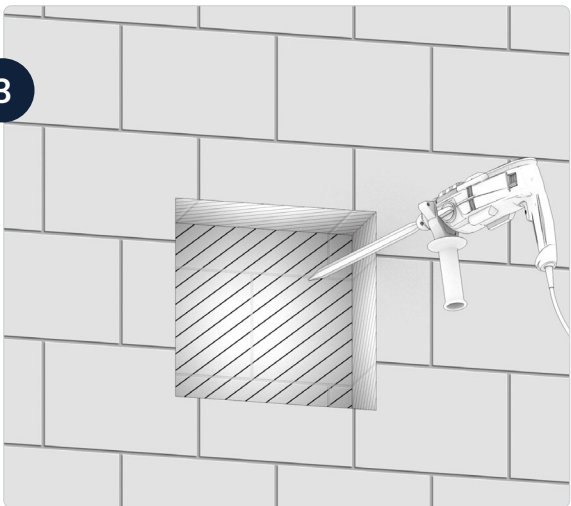


Mauer-Stärke  
mindestens  
150 mm Tiefe

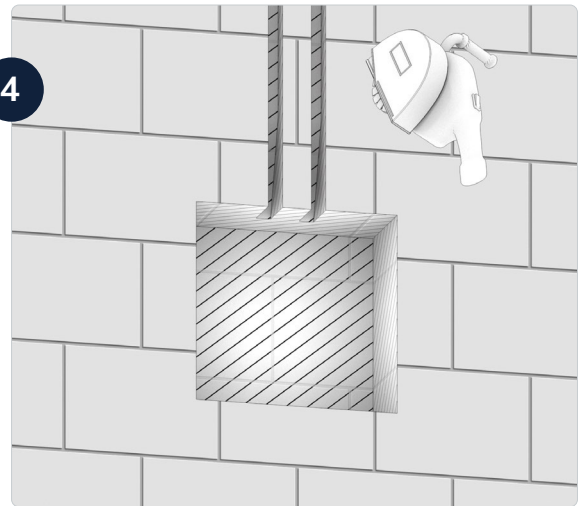
2



3



4

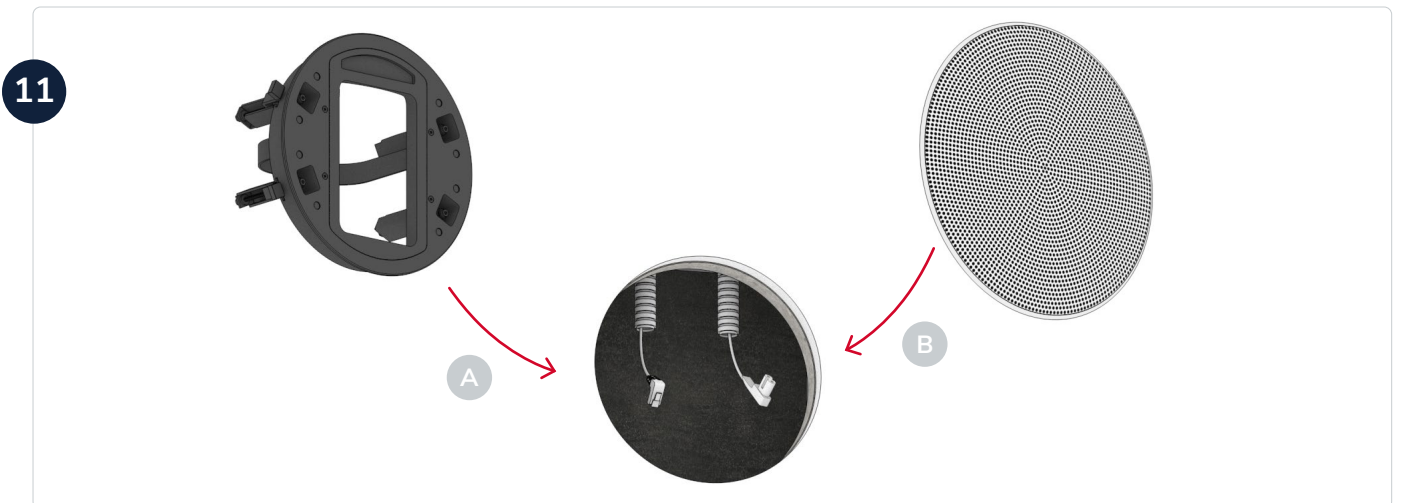
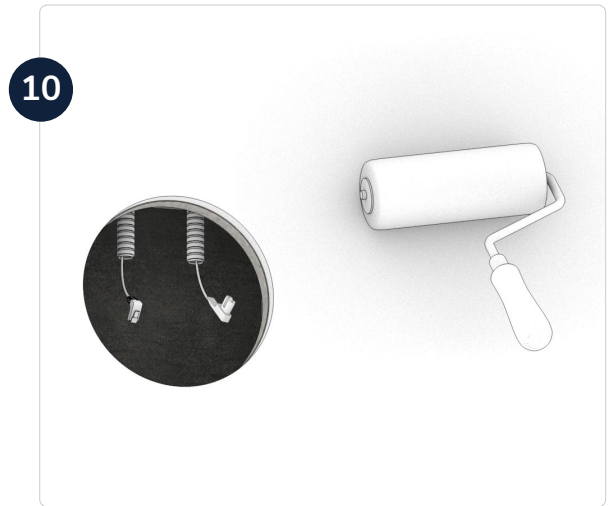
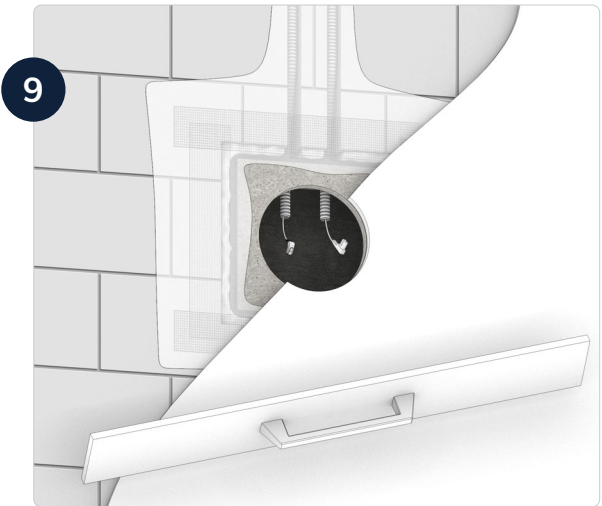
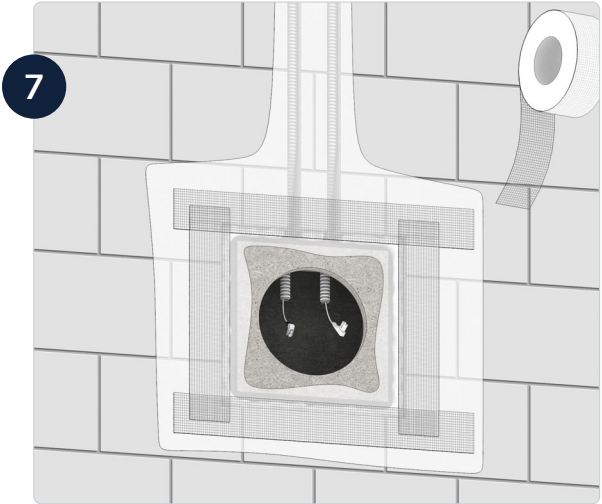


5



6





# **B-SYSTEM**

INSTALLATION SOLUTIONS

**B-SYSTEM** GmbH  
Bismarckstraße 19  
78652 Deißlingen  
Germany

Phone: +49 (0)7420 889-889  
E-Mail: [info@b-system.com](mailto:info@b-system.com)  
Web: [www.b-system.com](http://www.b-system.com)