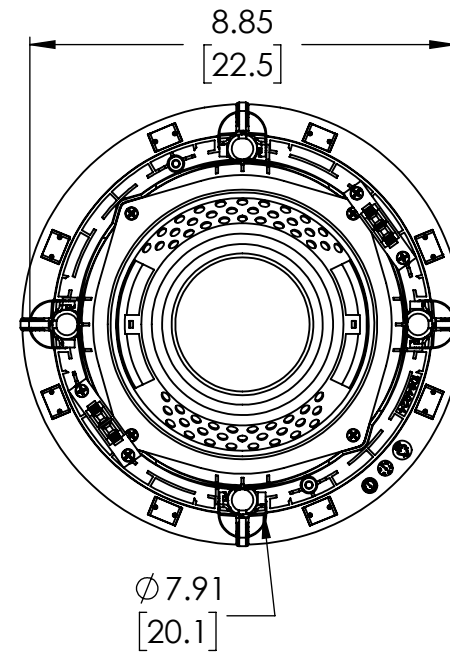


.50 MIN
 [1.3]
 1.0 MAX
 [2.5]

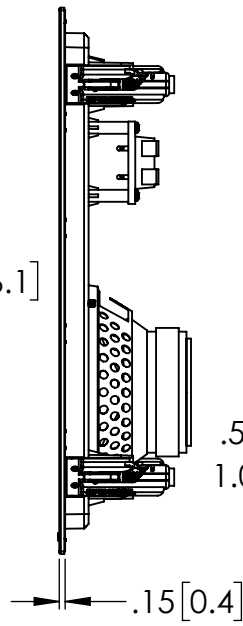
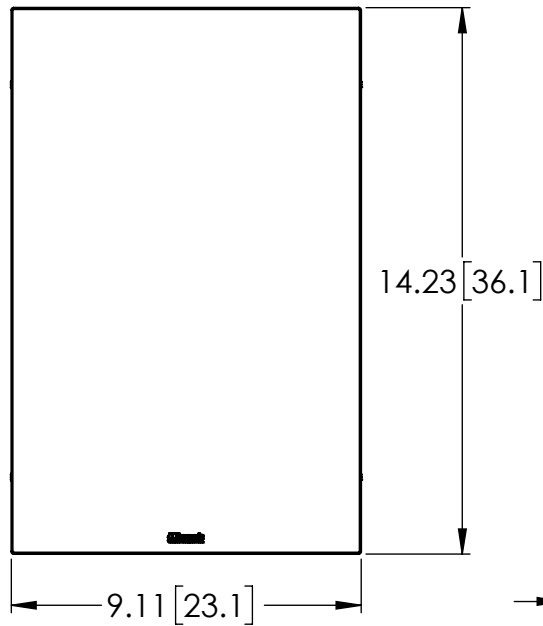


DWG. CS-16CSM

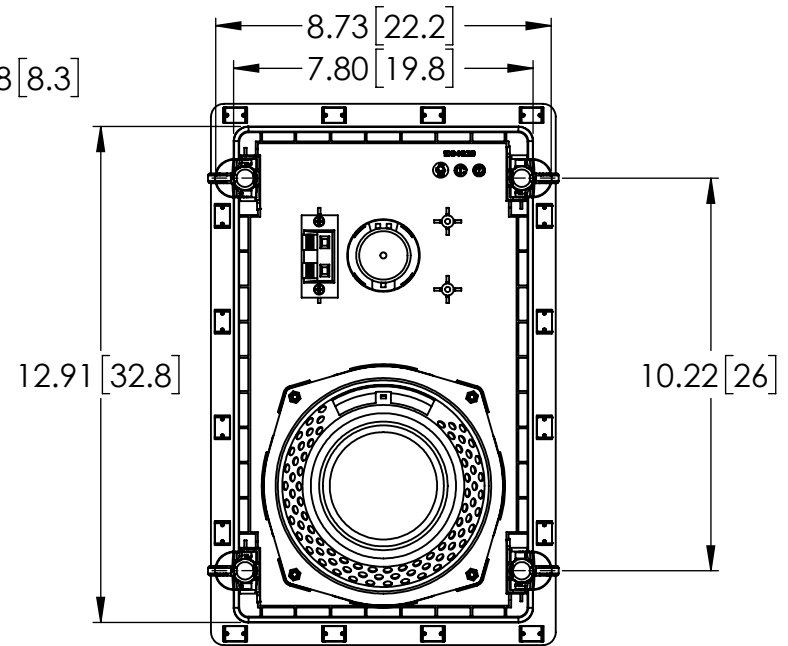
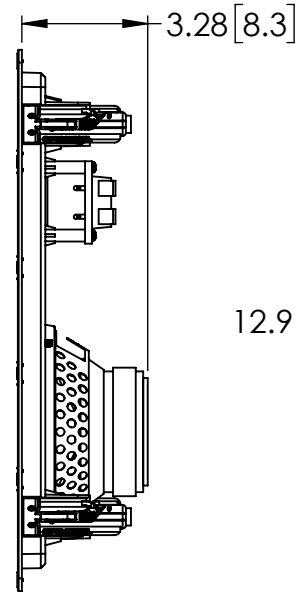
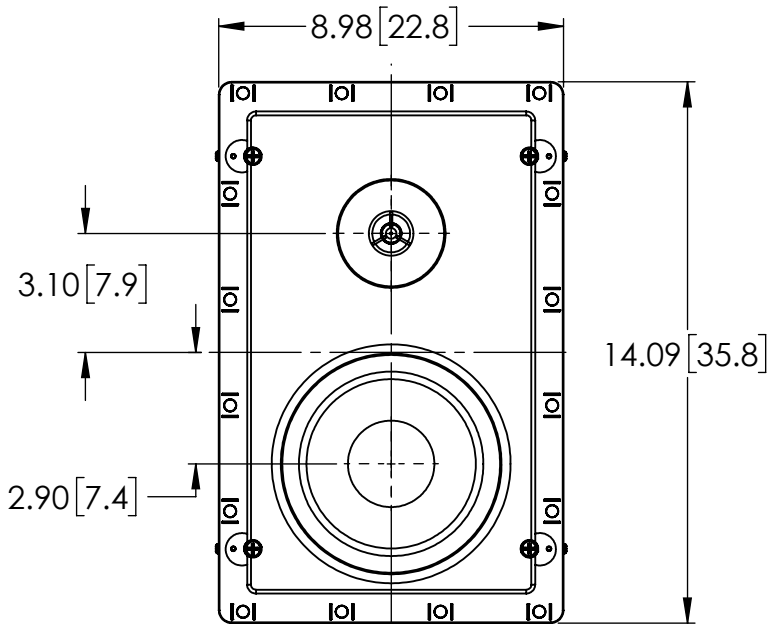
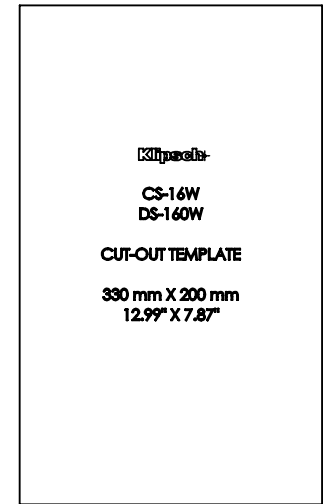
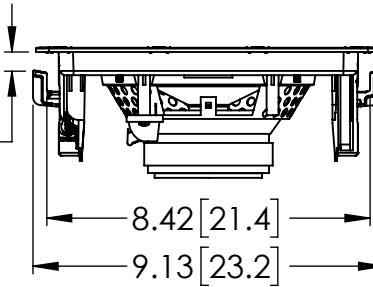
DATE: 2018-02-01 DIM: INCH [CM]

SHEET: 1 OF 1 SCALE: 1:4

Klipsch 3502 WOODVIEW TRACE INDIANAPOLIS, IN 46268 | KLIPSCH.COM
KEEPERS OF THE SOUND All specifications are subject to change without notice. © 2016 Klipsch Group, Inc. Klipsch and Keepers of the Sound are registered trademarks of Klipsch Group, Inc. a wholly-owned subsidiary of Vox International Corporation.



.50 [1.3] MIN
1.0 [2.5] MAX



DWG. CS-16W

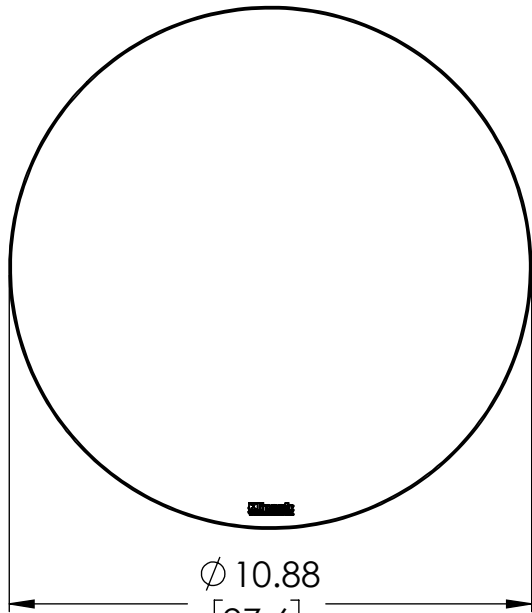
DATE: 2018-02-01 DIM: INCH [CM]

SHEET: 1 OF 1 SCALE: 1:5

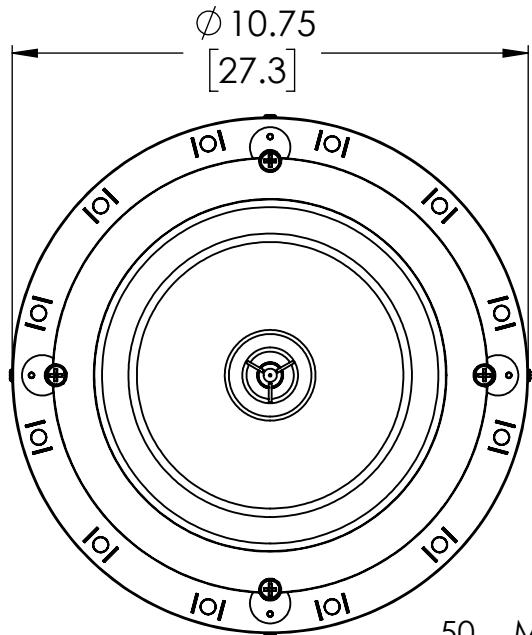
Klipsch
KEEPERS OF THE SOUND

3502 WOODVIEW TRACE INDIANAPOLIS, IN 46268 | KLIPSCH.COM

All specifications are subject to change without notice. © 2016 Klipsch Group, Inc. Klipsch and Keepers of the Sound are registered trademarks of Klipsch Group, Inc. a wholly-owned subsidiary of Vox International Corporation.

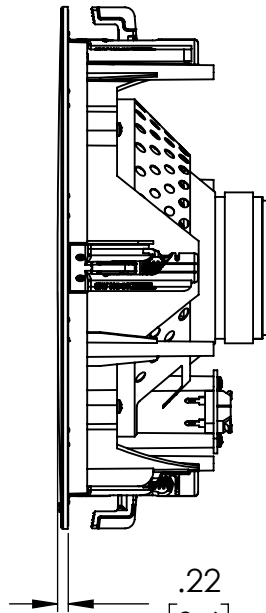


Ø 10.88
[27.6]



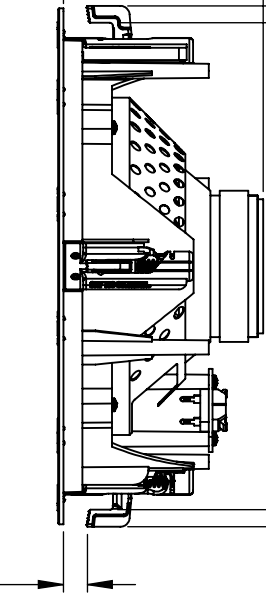
Ø 10.75
[27.3]

.50 MIN
[1.3]
1.0 MAX
[2.5]

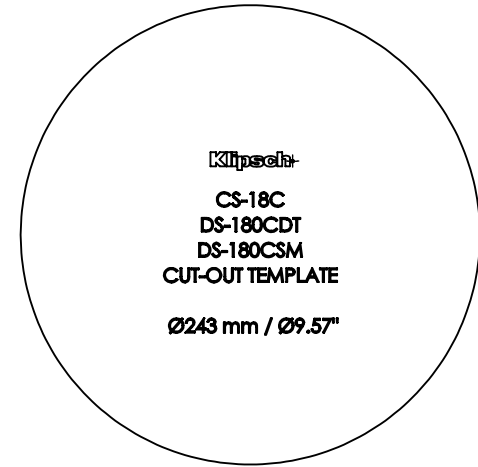


.22
[0.6]

4.17
[10.6]

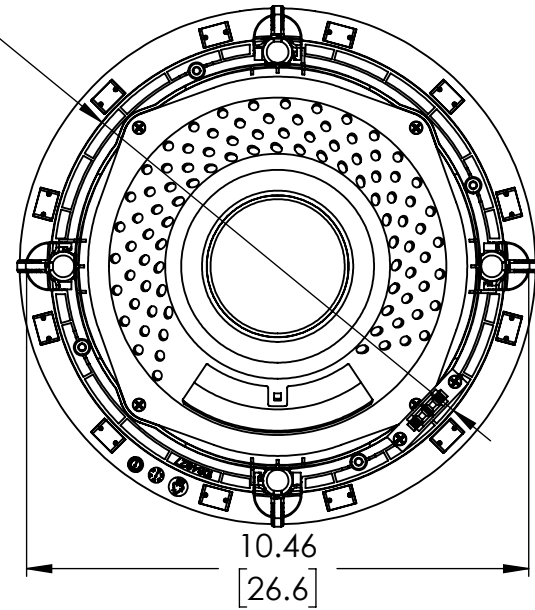


10.14 10.85
[25.8] [27.6]



Klipsch
CS-18C
DS-180CDT
DS-180CSM
CUT-OUT TEMPLATE
Ø243 mm / Ø9.57"

Ø 9.47
[24.1]



10.46
[26.6]

DWG. CS-18C

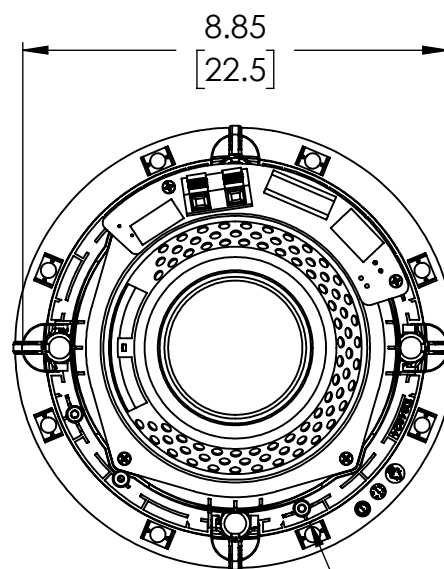
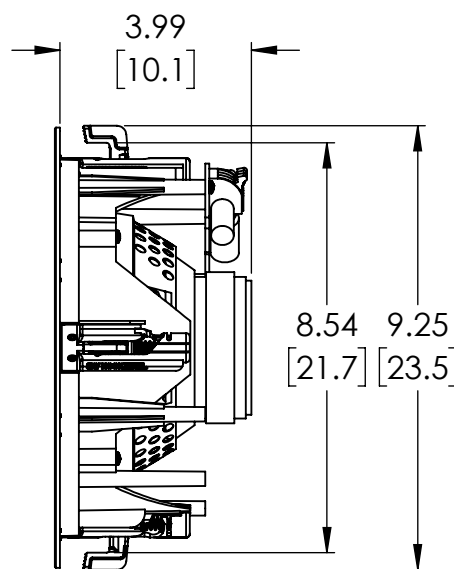
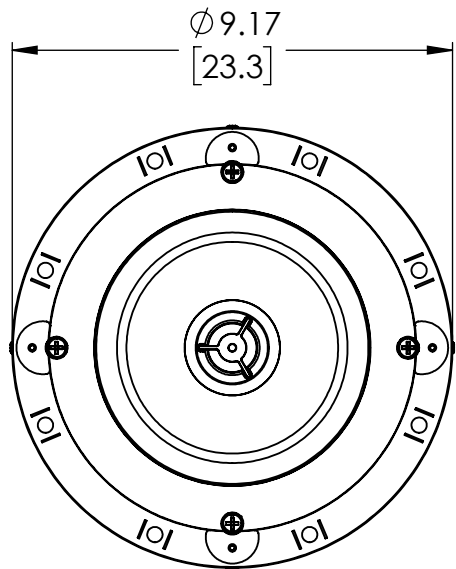
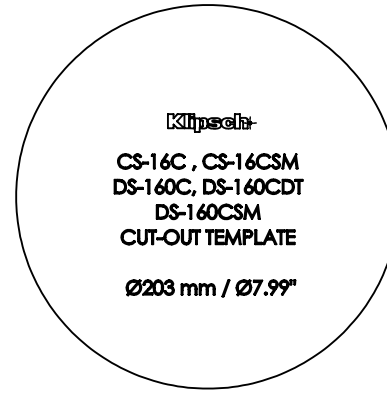
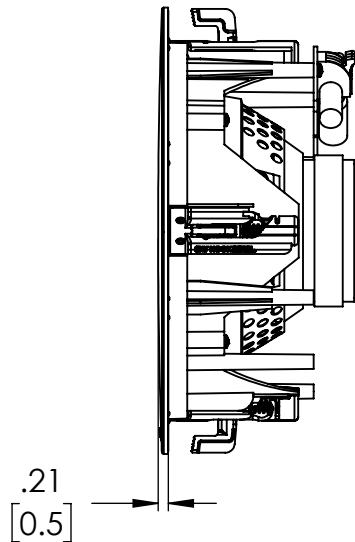
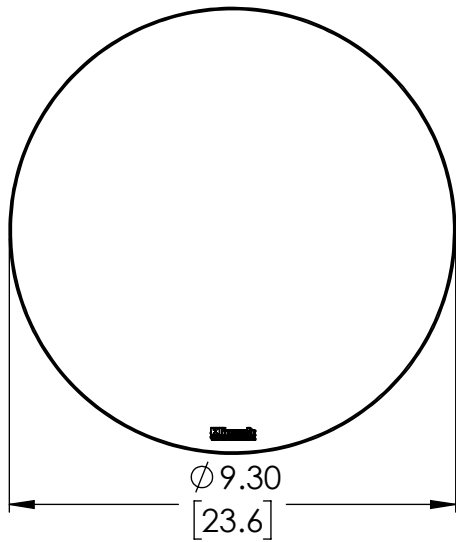
DATE: 2018-02-01 DIM: INCH [CM]

SHEET: 1 OF 1 SCALE: 1:4

Klipsch
KEEPERS OF THE SOUND

3502 WOODVIEW TRACE INDIANAPOLIS, IN 46268 | KLIPSCH.COM

All specifications are subject to change without notice. © 2016 Klipsch Group, Inc. Klipsch and Keepers of the Sound are registered trademarks of Klipsch Group, Inc. a wholly-owned subsidiary of Vox International Corporation.



.50 MIN
 [1.3]
 1.0 MAX
 [2.5]

$\phi 7.91$
 [20.1]

DWG. DS-160C

DATE: 2018-02-01 DIM: INCH [CM]

SHEET: 1 OF 1 SCALE: 1:4

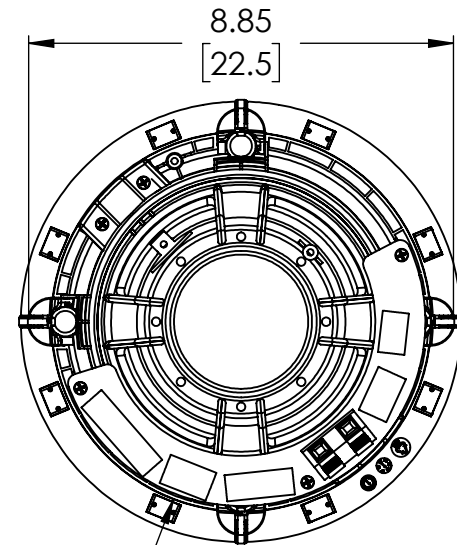
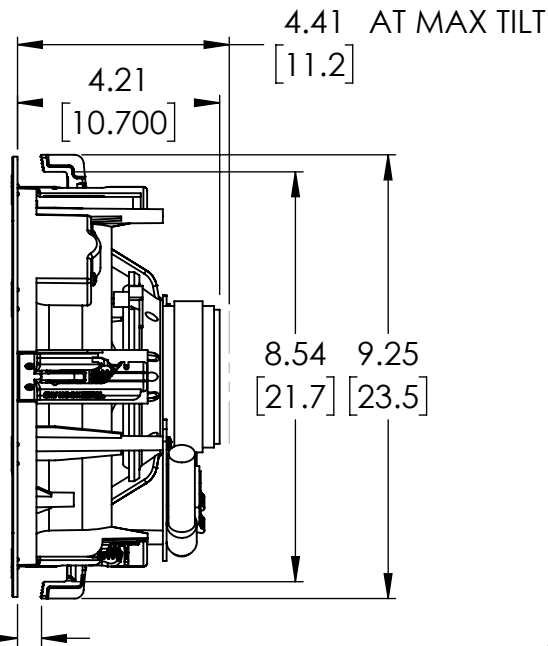
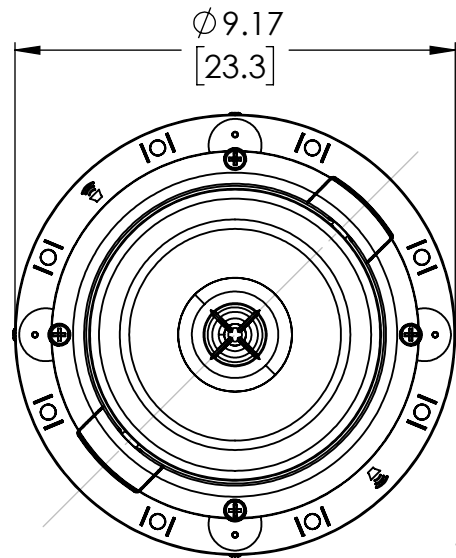
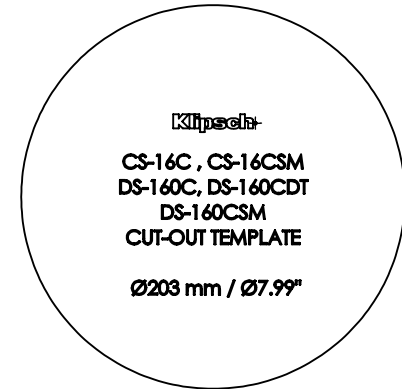
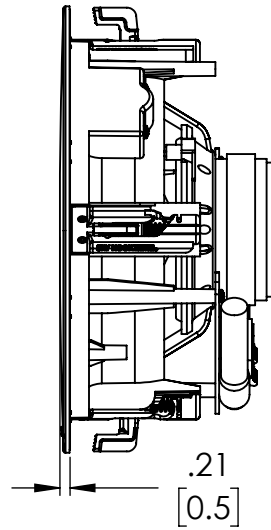
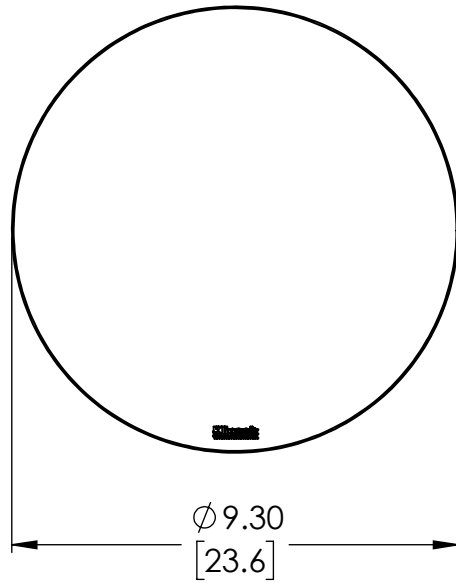
Klipsch
 KEEPERS OF THE SOUND

3502 WOODVIEW TRACE INDIANAPOLIS, IN 46268 | KLIPSCH.COM

All specifications are subject to change without notice. © 2016 Klipsch Group, Inc. Klipsch and Keepers of the Sound are registered trademarks of Klipsch Group, Inc. a wholly-owned subsidiary of Vox International Corporation.

NOTES:

1. TWEETER SWIVELS 15° AROUND DRIVER AXIS
2. DRIVER ROTATES +/- 10° ABOUT A SINGLE AXIS RELATIVE TO BAFFLE.



.50 MIN
[1.3]
1.0 MAX
[2.5]

DWG. DS-160CDT

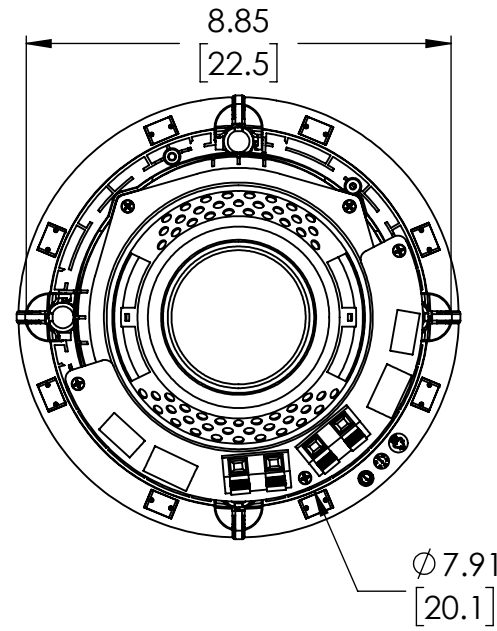
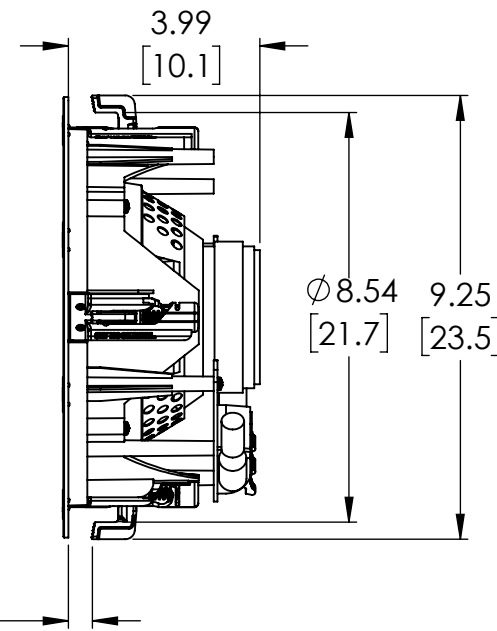
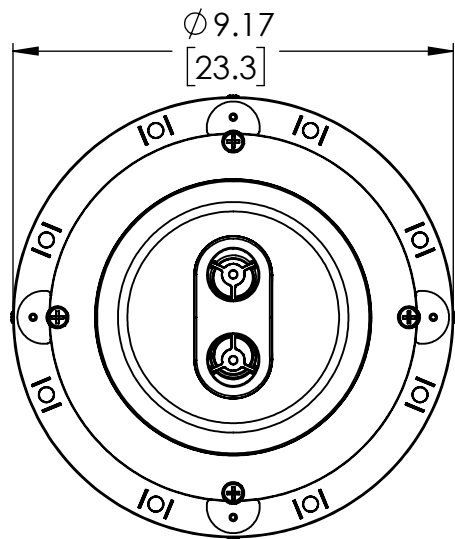
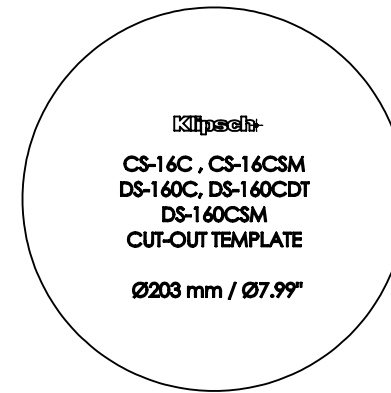
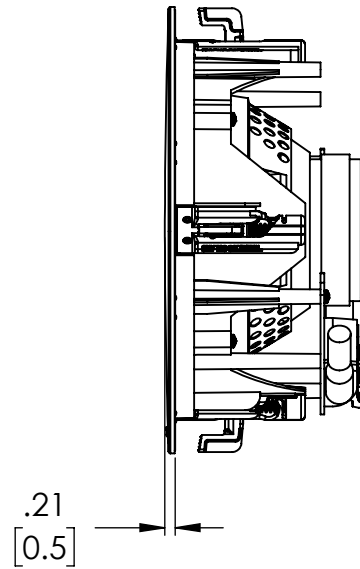
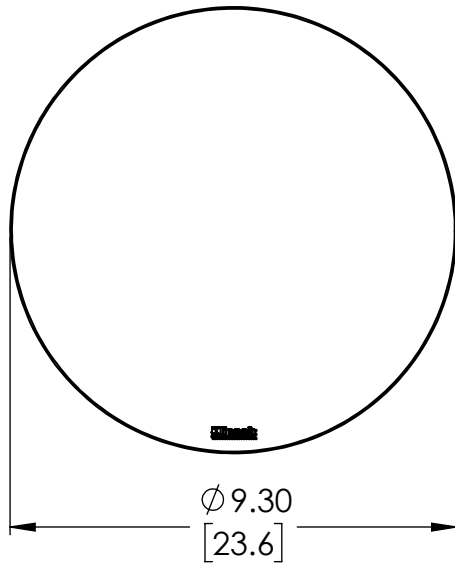
DATE: 2018-02-01 DIM: INCH [CM]

SHEET: 1 OF 1 SCALE: 1:4

Klipsch
KEEPERS OF THE SOUND

3502 WOODVIEW TRACE INDIANAPOLIS, IN 46268 | KLIPSCH.COM

All specifications are subject to change without notice. © 2016 Klipsch Group, Inc. Klipsch and Keepers of the Sound are registered trademarks of Klipsch Group, Inc. a wholly-owned subsidiary of Voxco International Corporation.



DWG. DS-160CSM

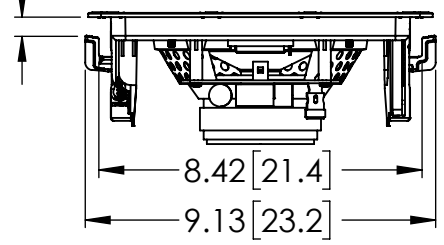
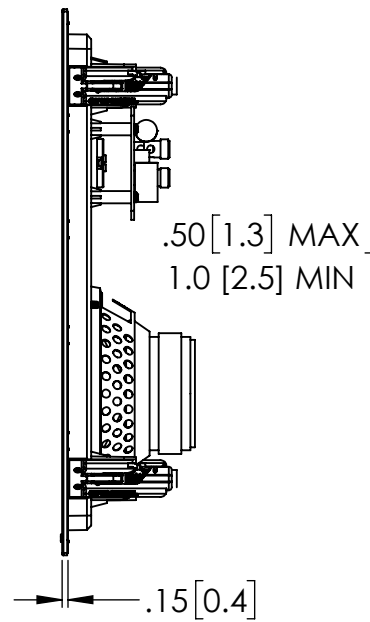
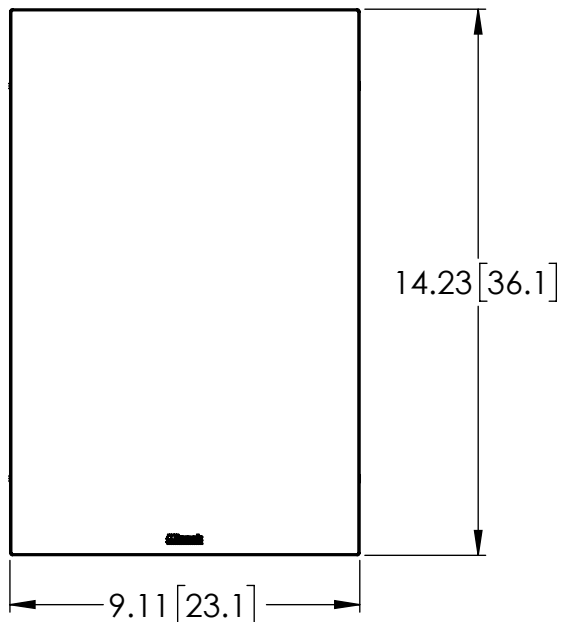
DATE: 2018-01-02 DIM: INCH [CM]

SHEET: 1 OF 1 SCALE: 1:4

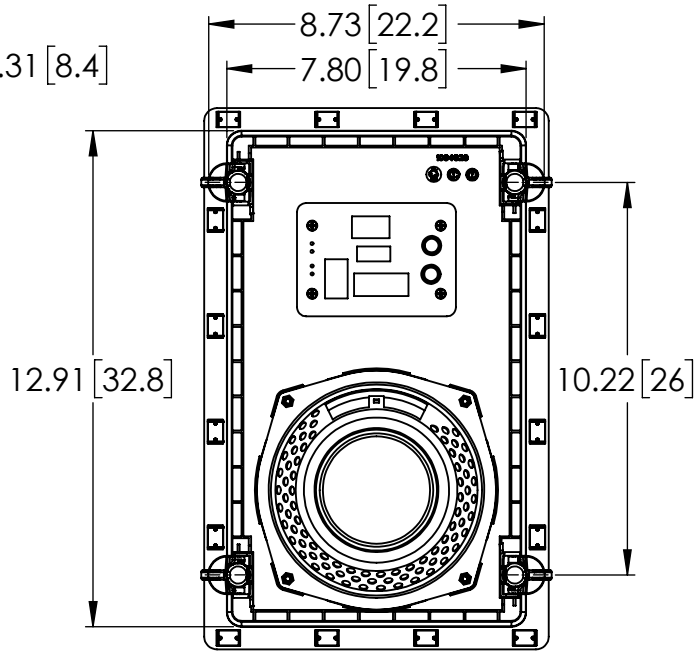
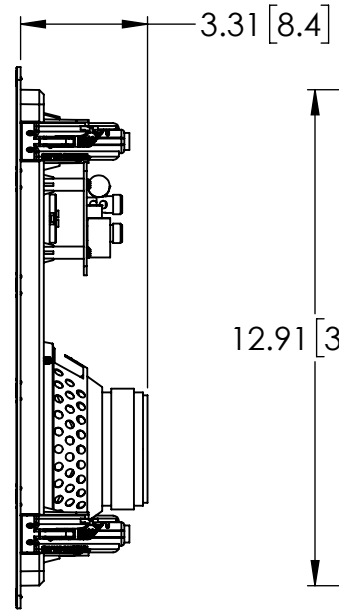
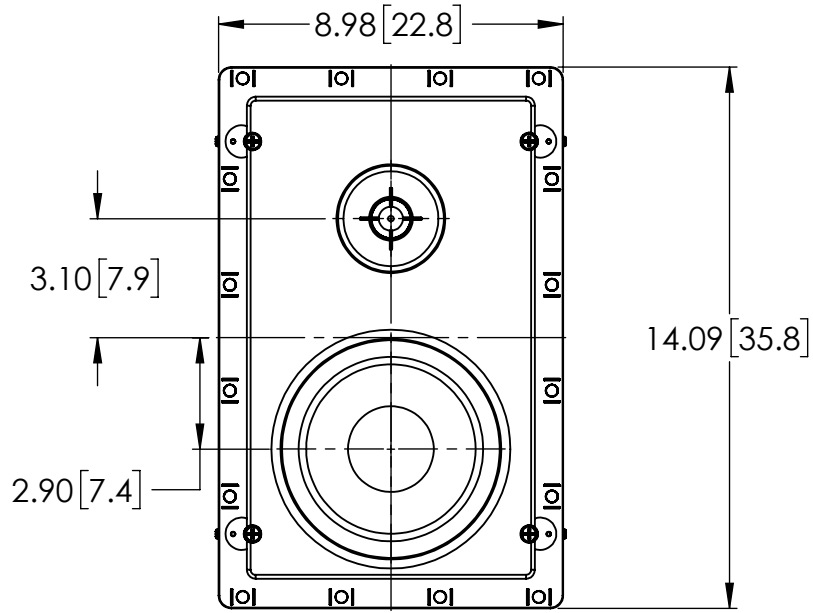
Klipsch
 KEEPERS OF THE SOUND

3502 WOODVIEW TRACE INDIANAPOLIS, IN 46268 | KLIPSCH.COM

All specifications are subject to change without notice. © 2016 Klipsch Group, Inc. Klipsch and Keepers of the Sound are registered trademarks of Klipsch Group, Inc. a wholly-owned subsidiary of Vox International Corporation.



Klipsch
 CS-16W
 DS-160W
CUT-OUT TEMPLATE
 330 mm X 200 mm
 12.99" X 7.87"

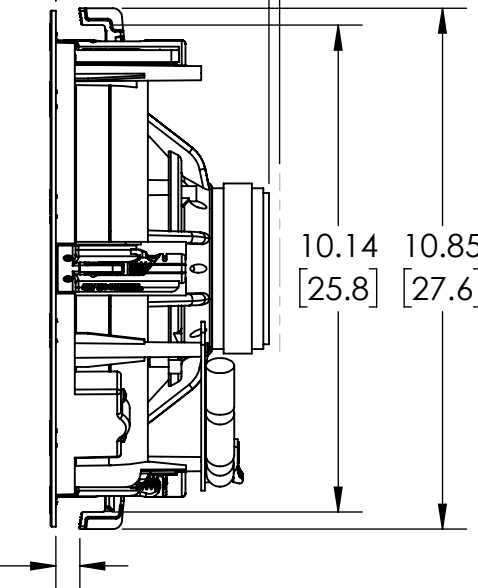
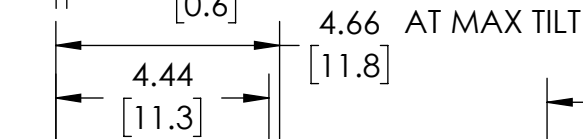
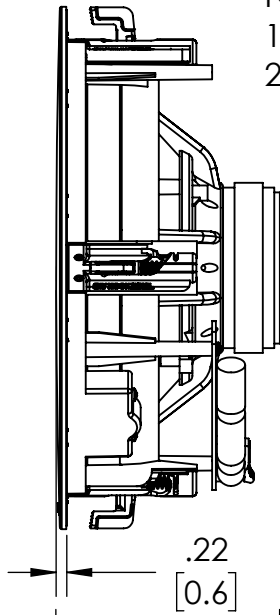
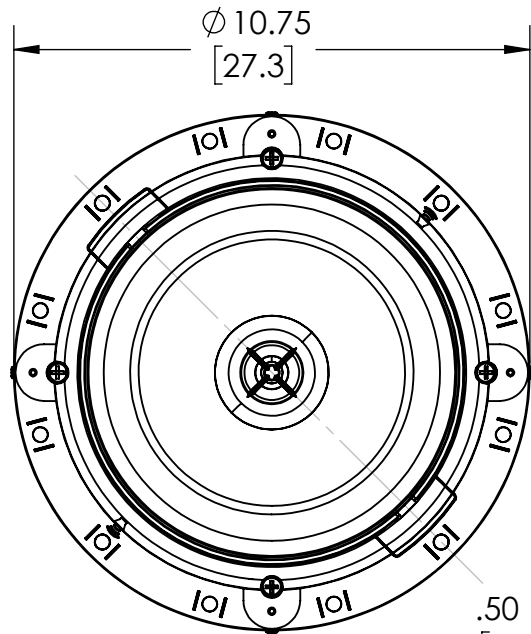
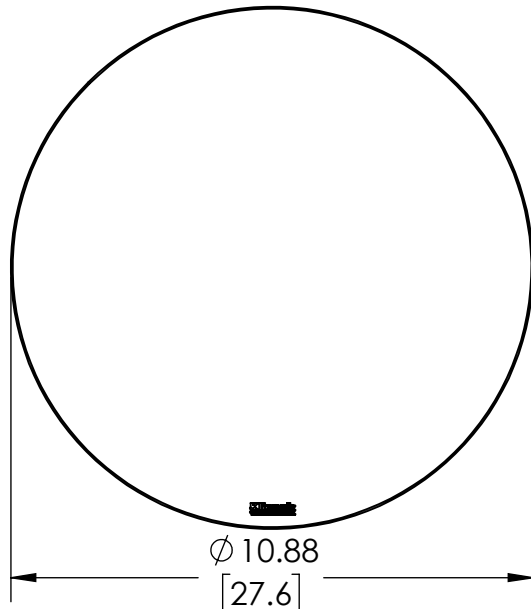


DWG. DS-160W

DATE: 2018-02-01 DIM: INCH [CM]

SHEET: 1 OF 1 SCALE: 1:5

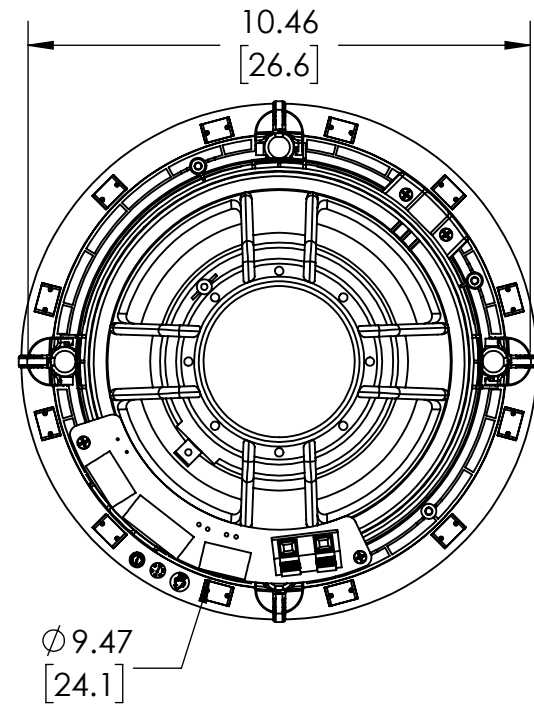
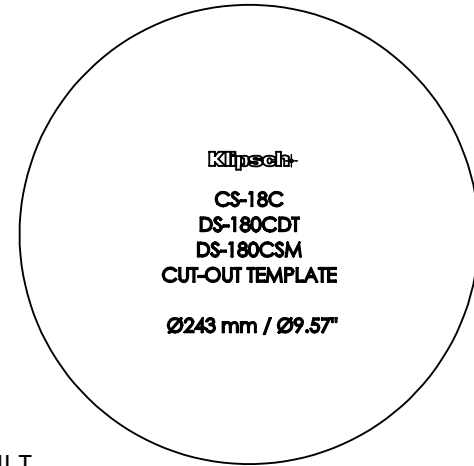
Klipsch 3502 WOODVIEW TRACE INDIANAPOLIS, IN 46268 | KLIPSCH.COM
KEEPERS OF THE SOUND All specifications are subject to change without notice. © 2016 Klipsch Group, Inc. Klipsch and Keepers of the Sound are registered trademarks of Klipsch Group, Inc. a wholly-owned subsidiary of Voxco International Corporation.

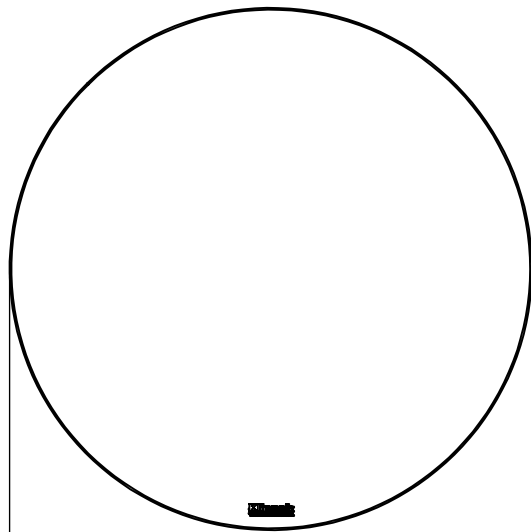


.50 MIN [1.3]
1.0 MAX [2.5]

NOTES:

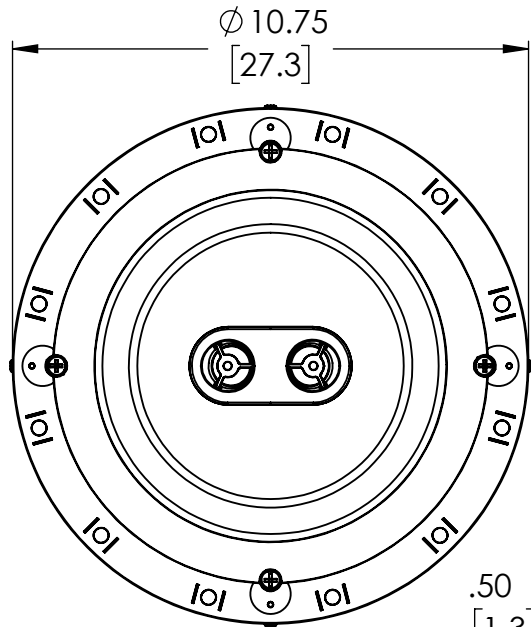
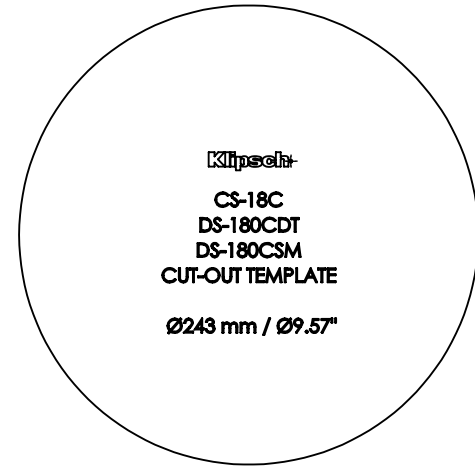
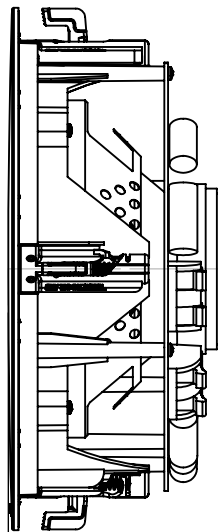
1. TWEETER SWIVELS 15° AROUND DRIVER AXIS
2. DRIVER ROTATES +/- 10° ABOUT A SINGLE AXIS RELATIVE TO BAFFLE.





Ø 10.88
[27.6]

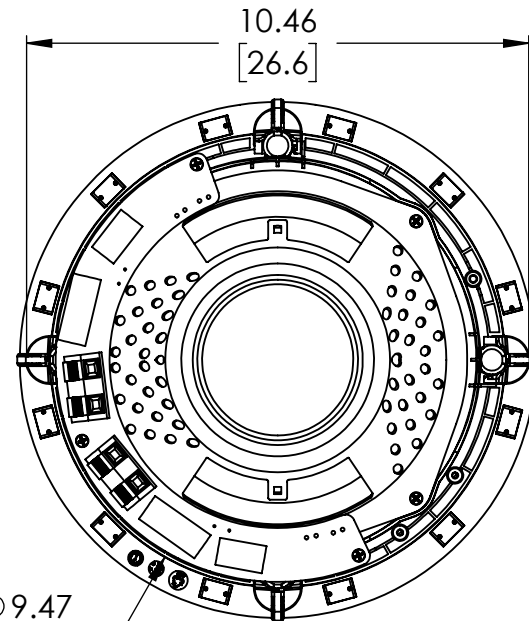
.22
[0.6]



Ø 10.75
[27.3]

4.24
[10.8]

10.14 10.85
[25.8] [27.6]



10.46
[26.6]

.50 MIN
[1.3]
1.0 MAX
[2.5]

Ø 9.47
[24.1]

DWG. DS-180CSM

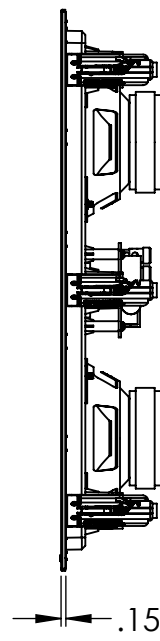
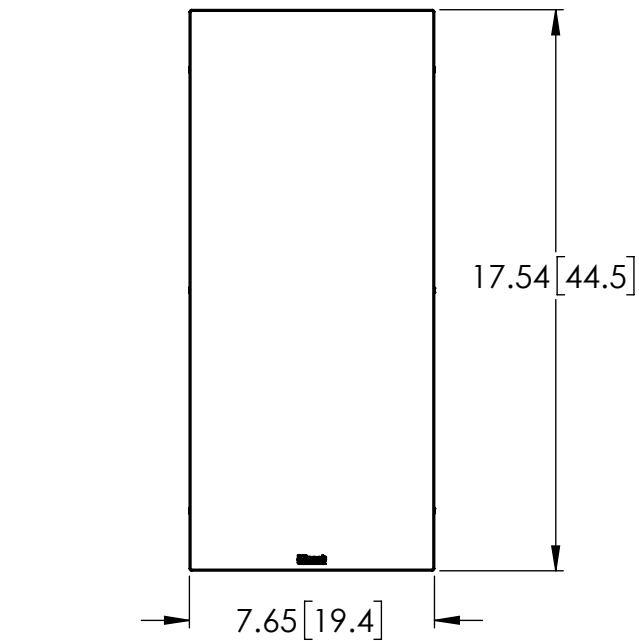
DATE: 2018-02-01 DIM: INCH [CM]

SHEET: 1 OF 1 SCALE: 1:4

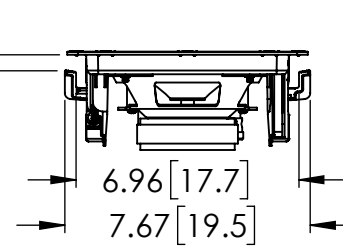
Klipsch
KEEPERS OF THE SOUND

3502 WOODVIEW TRACE INDIANAPOLIS, IN 46268 | KLIPSCH.COM

All specifications are subject to change without notice. © 2016 Klipsch Group, Inc. Klipsch and Keepers of the Sound are registered trademarks of Klipsch Group, Inc. a wholly-owned subsidiary of Vox International Corporation.



.50 [1.3] MIN
1.0 [2.5] MAX



Klipsch
DS-250W-LCR
CUT-OUT TEMPLATE
414 mm X 149 mm
16.3" X 6.42"

