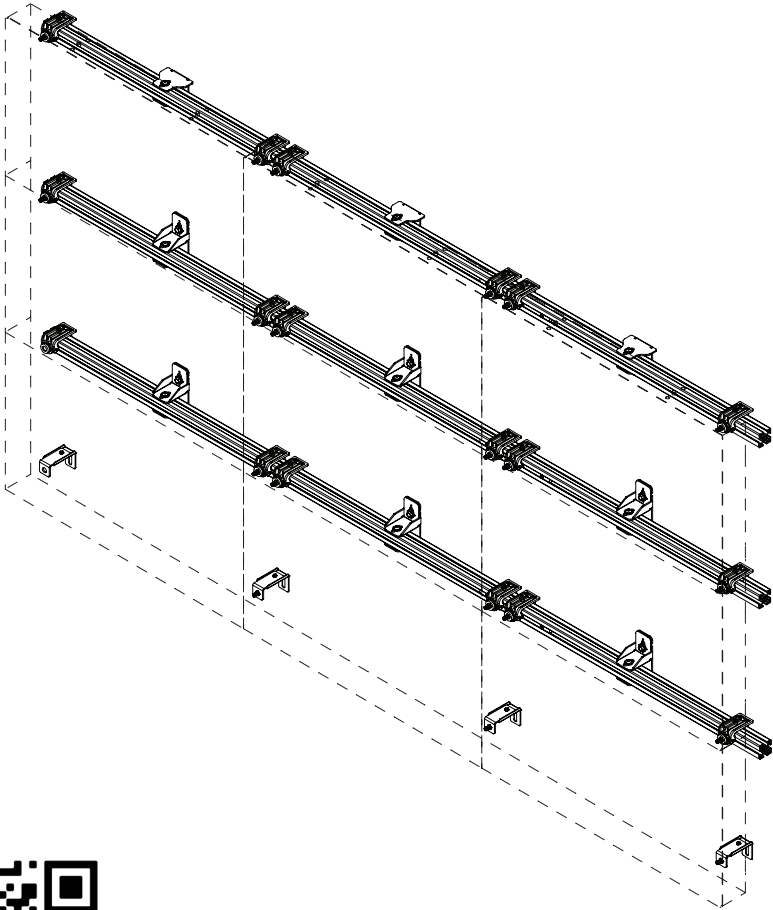




SEAMLESS Kitted Universal Series

*Actual configuration may vary

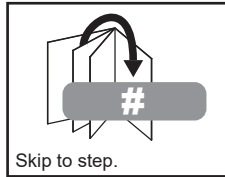
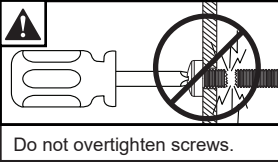


ENG Installation video for reference only.
Read and follow instruction manual for full installation.

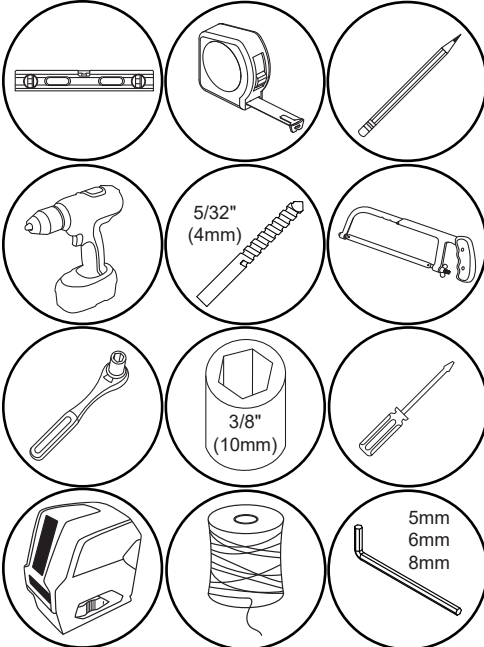
⚠ WARNING

This product is designed to be installed on plywood walls. Hardware is included for plywood installation. This product is designed to be installed on flat, unobstructed, vertical walls. Do not install on curved or angled walls. Before installing make sure the supporting surface will support the combined load of the equipment and hardware. Screws must be tightly secured. Do not over tighten screws or damage can occur and product may fail. Never exceed the Maximum Load Capacity. Always use an assistant or mechanical lifting equipment to safely lift and position equipment. This product is intended for indoor use only. Use of this product outdoors could lead to product failure or personal injury. Be careful not to pinch fingers when operating the mount. For support please call customer care at 1-800-865-2112.

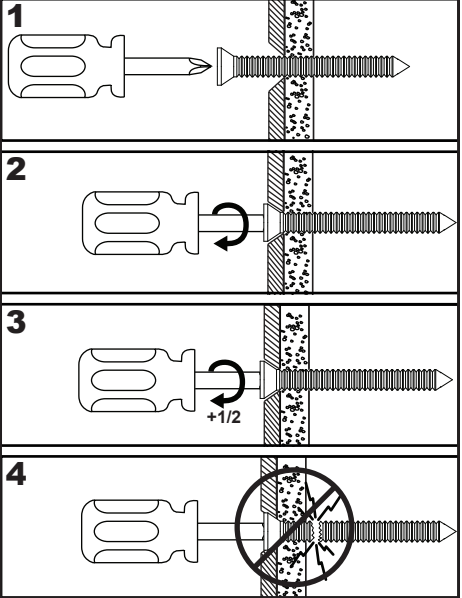
Symbols



Tools Needed for Assembly.

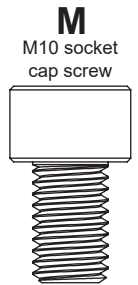
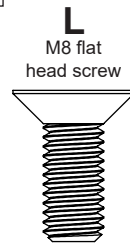
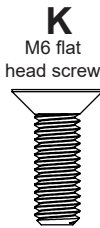
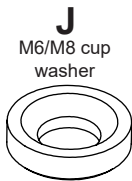
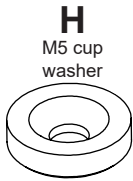
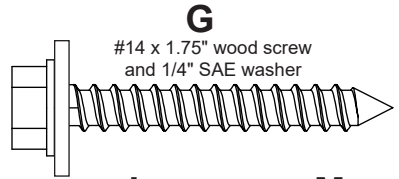
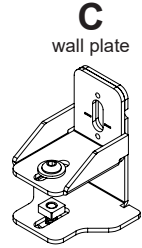
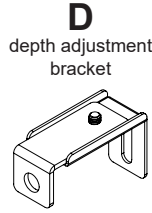
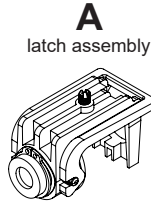
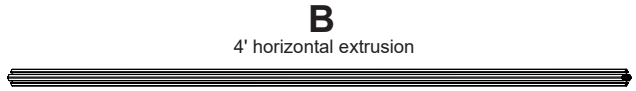


To properly tighten screws: Tighten until screw head makes contact, then tighten another 1/2 turn. Do not over tighten screws.

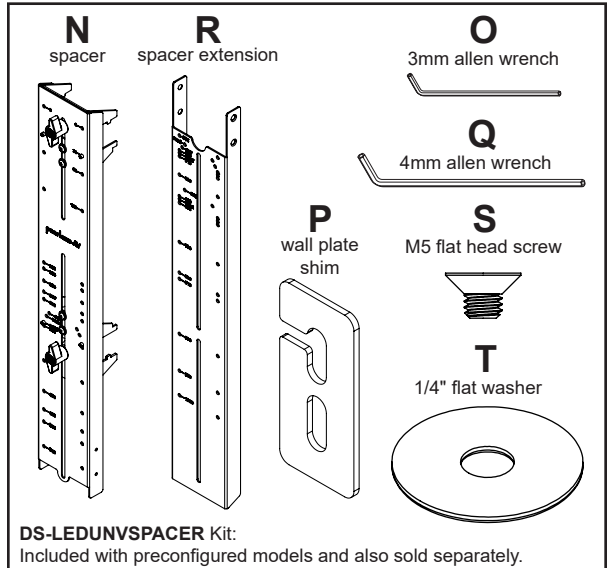


Parts (Before beginning, make sure you have all parts shown below). *Refer to parts list included with your model.

Parts List	
Description	Qty.*
A latch assembly	
B 4' horizontal extrusion	
C wall plate	
D depth adjustment bracket	
E connector plate	
F -	
G #14 x 1.75" wood screw and 1/4" SAE washer	
H M5 cup washer	
I M5 flat head screw	
J M6/M8 cup washer	
K M6 flat head screw	
L M8 flat head screw	
M M10 socket cap screw	



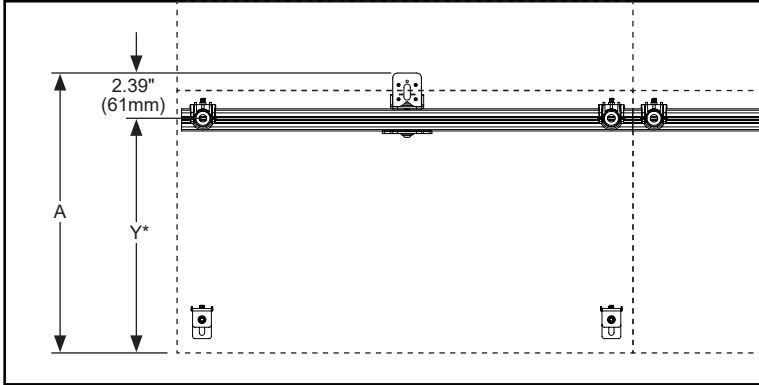
Parts List	
Description	Qty.
N spacer	2
O 3mm allen wrench	1
P wall plate shim	10
Q 4mm allen wrench	1
R spacer extension	2
S M5 flat head screw	8
T 1/4" flat washer	8



1-1

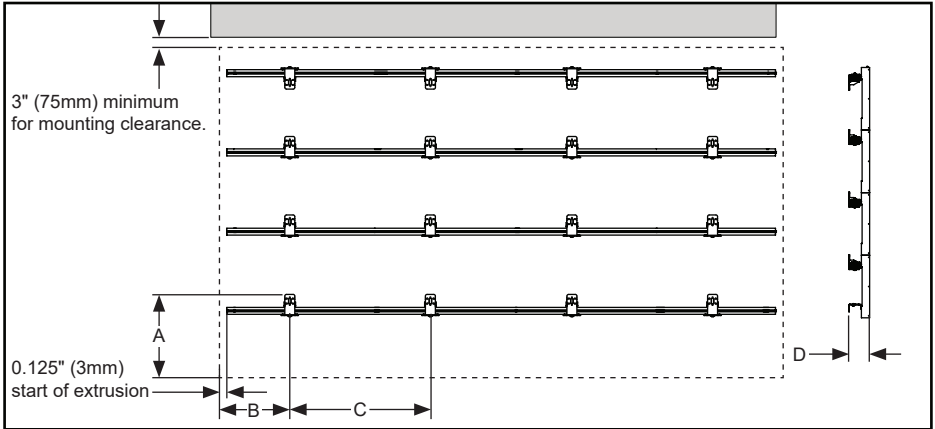
If display model is not listed on table in the following step, use formula provided to calculate the "A" dimension.
Y* = bottom of display tile to top pair of mounting holes on back of display.

$$A = Y^* + 2.39" (61\text{mm})$$



1-2

See table and drawing below for dimensions that will locate mount on the wall.



Compatible Display (Width x Height)	Bottom of video wall to top of first wall plate Dimension A	Side of video wall to center of first wall plate Dimension B	Center to center wall plates Dimension C	System Depth Range Dimension D
Absen A27-V3 (609.82x343)	13.59" (345mm)	12" (305mm)	24" (610mm)	4.49"-5.24" (114-133mm)
Absen A27 Pro/Plus (609.7x343)	13.59" (345mm)	12" (305mm)	24" (610mm)	4.67"-5.42" (119-138mm)
Absen CL (609.92x343.08)	13.59 (345.25mm)	12" (304.96mm)	24" (609.92mm)	5"-5.76" (127.02-146.07mm)
Absen CL V2 (609.92x343.08)	13.59" (345mm)	12" (305mm)	24" (610mm)	4.70"-5.45" (119-138mm)
Absen K Plus (1000x500)	21.29" (541mm)	19.69" (500mm)	39.37 (1000mm)	5.2"-5.95" (132-151mm)
Absen K Plus (500x750)	27.78" (706mm)	9.84" (250mm)	19.69" (500mm)	5.2"-5.95" (132-151mm)
Absen K v3 (1000x250)	11.05" (281mm)	19.69" (500mm)	39.37" (1000mm)	4.29"-5.04" (109-128mm)
Absen K v3 (1250x250)	11.05" (281mm)	24.61" (625mm)	49.21" (1250mm)	4.29"-5.04" (109-128mm)
Absen K v3 (750x250)	11.05" (281mm)	14.76" (375mm)	29.53" (750mm)	4.29"-5.04" (109-128mm)
Absen KL (639.9x479.9)	20.22" (514mm)	12.60" (320mm)	25.19" (640mm)	5.08"-5.83" (129-148mm)
Absen KL II (320x180)	8.49" (216mm)	6.3" (160mm)	12.60" (320mm)	5.31"-6.06" (135-154mm)
Absen KL II (640x360)	15.58" (396mm)	12.60" (320mm)	25.20" (640mm)	5.31"-6.06" (135-154mm)
Absen KLCOB V2 (600x337.5)	15.1" (383mm)	11.81" (300mm)	23.62" (600mm)	4.28"-5.03" (109-128mm)
Absen N Plus (1152x288)	12.27" (312mm)	22.68" (576mm)	45.35" (1152mm)	4.86"-5.61" (124-143mm)
Absen N Plus (1440x288)	12.27" (312mm)	28.35" (720mm)	56.69" (1440mm)	4.86"-5.61" (124-143mm)
Absen N Plus (864x288)	12.27" (312mm)	17" (432mm)	34" (864mm)	4.86"-5.61" (124-143mm)
Absen NX (240x1080)	44.2" (1123mm)	4.72" (120mm)	9.45" (240mm)	4.45"-5.2" (113-132mm)
Absen NX (240x540)	22.94" (583mm)	4.72" (120mm)	9.45" (240mm)	4.45"-5.2" (113-132mm)
Absen NX (960x540)	22.94" (583mm)	18.9" (480mm)	37.8" (960mm)	4.45"-5.2" (113-132mm)
AOTO CV (600x337.4)	14.81" (376mm)	11.81" (300mm)	23.62" (600mm)	4.21"-4.96" (107-126mm)
Barco NT (600x337.4)	14.97" (380mm)	11.81" (300mm)	23.62" (600mm)	4.29"-5.04" (109-128mm)
Barco XT (609.72x342.88)	15.05" (382mm)	12" (305mm)	24" (610mm)	5.51"-6.26" (140-159mm)
Blue Square BSX (600x337.5)	15.03" (382mm)	11.81" (300mm)	23.62" (600mm)	4.12"-4.87" (105-124mm)
BOE BYH-B (600x337.5)	14.82" (376mm)	11.81" (300mm)	23.62" (600mm)	4.59"-5.34" (117-136mm)
Christie CSII (600x337.5)	14.50" (368mm)	11.81" (300mm)	23.62" (600mm)	4.2"-4.95" (107-126mm)
Christie CSIII (600x337.5)	14.50" (368mm)	11.81" (300mm)	23.62" (600mm)	3.88"-4.63" (99-118mm)
Dahua CH II (600x337.5)	14.89" (378mm)	11.81" (300mm)	23.62" (600mm)	4.31"-5.06" (109-128mm)
DVS DioPlex (960x960)	39.18" (995mm)	18.9" (480mm)	37.8" (960mm)	6.25"-7" (159-178mm)
DVS DioPlex HD (1036x1000)	40.79" (1036mm)	9.84" (250mm)	19.69" (500mm)	5.95"-6.71" (151-170mm)
Fabulux T Series (1000x500)	21.11" (536mm)	9.84" (250mm)	19.69" (500mm)	4.01"-4.76" (102-121mm)
HIKVISION CGFB (750x250)	11.56" (294mm)	14.76" (375mm)	29.53" (750mm)	4.71"-5.46" (120-139mm)
HIKVISION CGFC (1000x250)	11.56" (294mm)	19.69" (500mm)	39.37" (1000mm)	4.71"-5.46" (120-139mm)
HIKVISION CGFF (1000x500)	21.4" (544mm)	19.69" (500mm)	39.37" (1000mm)	4.71"-5.46" (120-139mm)
HIKVISION CW-2F (600x337.5)	14.89" (378mm)	11.81" (300mm)	23.62" (600mm)	3.91"-4.64" (99-118mm)
HIKVISION CWF / CWF III / CWFH III (600x337.5)	14.87" (378mm)	11.81" (300mm)	23.62" (600mm)	4.7"-5.45" (119-139mm)
HIKVISION ZWDH (600x337.5)	15.03" (382mm)	11.81" (300mm)	23.62" (600mm)	4.53"-5.28" (115-134mm)
Hisense HIK (240x540)	22.86" (581mm)	4.72" (120mm)	9.45" (240mm)	4.85"-5.6" (123-142mm)
Hisense HIP (600x337.5)	14.89" (378mm)	11.81" (300mm)	23.62" (600mm)	4.31"-5.06" (110-128mm)
Imaginis 1.x-Mod (600x337.5)	14.59" (371mm)	11.81" (300mm)	23.62" (600mm)	5.02"-5.77" (128-147mm)
i5 LED II (600x337.5)	15.03" (382mm)	11.81" (300mm)	23.62" (600mm)	4.27"-5.02" (109-128mm)
InfILED EZ Series (500x500)	20.89" (531mm)	9.84" (250mm)	19.69" (500mm)	5.71"-6.46" (145-164mm)
InfILED WK/WP/WT (600x337.5)	14.39" (365mm)	11.81" (300mm)	23.62" (600mm)	3.91"-4.64" (99-118mm)
InfILED WV (1200x675)	27.78" (706mm)	11.81" (300mm)	23.62" (600mm)	4.35"-5.1" (111-130mm)
Jupiter ZAVUS XP-P0.7 (480x270)	11.45" (291mm)	9.45" (240mm)	18.9" (480mm)	3.84"-4.59" (98-117mm)
Jupiter ZAVUS XP-P0.9/1.2 (600x337.5)	13.71" (348mm)	11.81" (300mm)	23.62" (600mm)	3.84"-4.59" (98-117mm)
Just Video 05-IND-A01 (600x337.5)	14.42" (366mm)	11.81" (300mm)	23.62" (600mm)	4.27"-5.02" (109-128mm)
LED Studio SOLARIS (600x337.5)	14.89" (378mm)	11.81" (300mm)	23.62" (600mm)	4.29"-5.04" (109-128mm)
Leyard GF (640x479.9)	19.87" (505mm)	12.6" (320mm)	25.2" (640mm)	5.65"-6.4" (144-163mm)
Leyard VDS (600x337.5)	14.89" (378mm)	11.81" (300mm)	23.62" (600mm)	4.46"-5.21" (113-132mm)

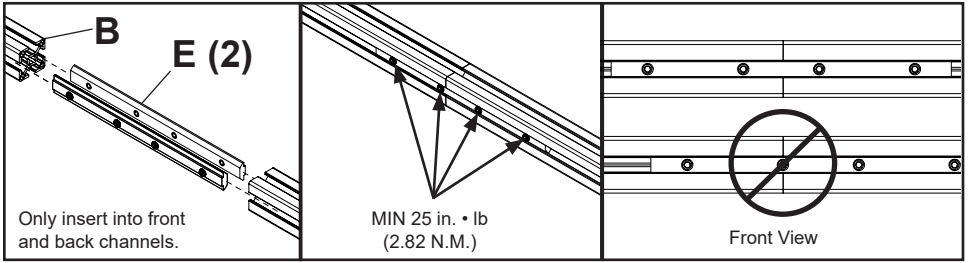
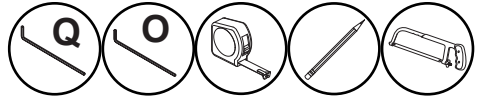
Compatible Display (Width x Height)	Bottom of video wall to top of first wall plate Dimension A	Side of video wall to center of first wall plate Dimension B	Center to center wall plates Dimension C	System Depth Range Dimension D
LG LSBB (GD) (600x337.5)	15.14" (384mm)	11.81" (300mm)	23.62" (600mm)	4.92"-5.67" (125-144mm)
LG LSBC (500x1000)	40.78" (1036mm)	9.84" (250mm)	19.69" (500mm)	5.42"-6.17" (138-157mm)
LG LSCA GK (500x1000)	40.66" (1033mm)	9.84" (250mm)	19.69" (500mm)	5.3"-6.05" (135-154mm)
LG LSCA GN (500x1000)	40.66" (1033mm)	9.84" (250mm)	19.69" (500mm)	5.42"-6.17" (138-157mm)
LG LSCA GK2 (500x500)	20.97" (533mm)	9.84" (250mm)	19.69" (500mm)	5.3"-6.05" (135-154mm)
LG LSCB (600x337.5)	14.39" (365mm)	11.81" (300mm)	23.62" (600mm)	3.91"-4.66" (99-118mm)
LG LSCB Portrait (337.5x600)	25.07" (637mm)	6.64" (169mm)	13.29" (338mm)	3.91"-4.66" (99-118mm)
LG LWBC GD (500x1000)	40.78" (1036mm)	9.84" (250mm)	19.69" (500mm)	5.38"-6.13" (137-156mm)
LG LWBC DD (500x750)	30.93" (786mm)	9.84" (250mm)	19.69" (500mm)	5.46"-6.21" (139-158mm)
LG LSAC (1200x675)	27.59" (701mm)	11.81" (300mm)	23.62" (600mm)	3.86"-4.61" (98-117mm)
LG LSBE (600x337.5)	14.89" (378mm)	11.81" (300mm)	23.62" (600mm)	5.55"-6.3" (141-160mm)
LG LSBF (1199.8x674.85)	28.17" (716mm)	11.81" (300mm)	23.62" (600mm)	5.57"-6.32" (142-161mm)
Linsin MA (640x480)	19.91" (506mm)	12.6" (320mm)	25.2" (640mm)	TBD
Linsin N169 (600x337.5)	15.07" (383mm)	11.81" (300mm)	23.62" (600mm)	TBD
Macropix Imaginis J (600x337.5)	14.69" (373mm)	11.81" (300mm)	23.62" (600mm)	TBD
Macropix Mobilis F2.6XRMB V-MOD (500x750)	30.95" (786mm)	9.84" (250mm)	19.69" (500mm)	5.15"-5.90" (131-150mm)
Macropix Mobilis FT (1000x500)	21.11" (536mm)	9.84" (250mm)	19.69" (500mm)	4.11"-4.86" (104-124mm)
Macropix Mobilis FT (500x500)	21.11" (536mm)	9.84" (250mm)	19.69" (500mm)	4.01"-4.76" (102-121mm)
MAXHUB M27 (610x343.13)	14.91" (379mm)	12.01" (305mm)	24.02" (610mm)	3.96"-4.71" (101-120mm)
Panavisual CS261 (500x500)	20.89" (531mm)	9.84" (250mm)	19.69" (500mm)	5.1"-5.85" (130-149mm)
Panavisual CU181 (480x480)	20.11" (511mm)	9.45" (240mm)	18.90" (480mm)	4.75"-5.5" (121-140mm)
Philips 27BDL6000 (608x342)	15.07" (383mm)	11.97" (304mm)	23.94" (608mm)	5.06"-5.81" (129-148mm)
Philips 27BDL9000 (608x342)	15.07" (383mm)	11.97" (304mm)	23.94" (608mm)	4.86"-5.61" (123-142mm)
Philips 27HDL51XXIP (600x337.5)	14.89" (378mm)	11.81" (300mm)	23.62" (600mm)	4.10"-4.85" (104-123mm)
Philips 28HDL5000 (500x500)	21.21" (539mm)	9.84" (250mm)	19.69" (500mm)	4.36"-5.14" (112-131mm)
Philips 44HDL5000 (500x1000)	40.89" (1039mm)	9.84" (250mm)	19.69" (500mm)	4.47"-5.22" (114-133mm)
Philips 55HDL70xxIA (1209.6x680.4)	25.31" (643mm)	11.91" (302mm)	23.81" (605mm)	3.78"-4.53" (96-115mm)
Planar DLP-27 (604.8x340.2)	15" (381mm)	11.91" (302mm)	23.81" (605mm)	5.31"-6.06" (135-154mm)
Planar DLP-36 (604.8x680.4)	28.39" (721mm)	11.91" (302mm)	23.81" (605mm)	5.31"-6.06" (135-154mm)
Planar TVF (604.8x340.2)	14.99" (381mm)	11.91" (302mm)	23.81" (605mm)	5.1"-5.85" (130-149mm)
Primeview 220 Fusion Max (610x343.13)	14.91" (379mm)	12.01" (305mm)	24.02" (610mm)	3.96"-4.71" (101-120mm)
QST Quanta (600x337.4)	14.39" (365mm)	11.81" (300mm)	23.62" (600mm)	4.18"-4.93" (106-125mm)
Samsung IEC/IEC-L (600x337.5)	14.69" (373mm)	11.81" (300mm)	23.62" (600mm)	4.24"-4.99" (108-127mm)
SBC CRYSTAL (600x337.5)	15.06" (382mm)	11.81" (300mm)	23.62" (600mm)	4.2"-4.95" (107-126mm)
Sharp/NEC E Series (600x337.5)	14.94" (379mm)	11.81" (300mm)	23.62" (600mm)	3.88"-4.63" (99-118mm)
Sharp/NEC FAFE (600x342)	14.91" (379mm)	11.81" (300mm)	23.62" (600mm)	4.67"-5.42" (119-138mm)
Sharp/NEC Q (500x500)	21.05" (535mm)	9.84" (250mm)	19.69" (500mm)	5.81"-6.56" (148-167mm)
Sharp/NEC Qe2 (500x500)	21.05" (535mm)	9.84" (250mm)	19.69" (500mm)	5.49"-6.24" (140-159mm)
Sharp/NEC Qi2 (500x500)	21.05" (535mm)	9.84" (250mm)	19.69" (500mm)	TBD
SNA VST (400x450)	18.93" (481mm)	7.87" (200mm)	15.75" (400mm)	4.55"-5.3" (116-135mm)
SNA VTI (400x450)	19.42" (493mm)	7.87" (200mm)	15.75" (400mm)	5.3"-6.05" (135-154mm)
Sony BH/CH (Cancun) (610x343)	13.59" (345mm)	12.01" (305mm)	24.02" (610mm)	5.46"-6.21" (139-158mm)
Sony Crystal B&C (608x342)	14.87" (378mm)	11.97" (304mm)	23.94" (608mm)	4.65"-5.4" (118-137mm)
Sony Verona (500x500)	21.60" (549mm)	9.84" (250mm)	19.69" (500mm)	6.4"-7.15" (163-182mm)
Stratech ST150LI-PRO (600x675)	28.18" (716mm)	11.81" (300mm)	23.62" (600mm)	4.5"-5.25" (114-133mm)

Compatible Display (Width x Height)	Bottom of video wall to top of first wall plate Dimension A	Side of video wall to center of first wall plate Dimension B	Center to center wall plates Dimension C	System Depth Range Dimension D
Unilumin UHWII (610x343)	15.11" (384mm)	12.01" (305mm)	24.02" (610mm)	5.38"-6.13" (137-156mm)
Unilumin UHWIII (600x337.5)	14.97" (380mm)	11.81" (300mm)	23.62" (600mm)	4.24"-4.99" (108-127mm)
Unilumin ULWIII (600x337.5)	14.89" (378mm)	11.81" (300mm)	23.62" (600mm)	4.49"-5.24" (114-133mm)
Unilumin Umini (600x337.5)	15.09" (383mm)	11.81" (300mm)	23.62" (600mm)	5.65"-6.4" (144-163mm)
Unilumin UMINI III [Pro] (600x337.5)	14.89" (378mm)	11.81" (300mm)	23.62" (600mm)	4.33"-5.08" (110-129mm)
Unilumin Upanel II (610x343)	15.11" (384mm)	12.01" (305mm)	24.02" (610mm)	5.42"-6.17" (138-157mm)
Unilumin UpanelS (609.72x342.88)	15.05" (382mm)	12.01" (305mm)	24.02" (610mm)	5.51"-6.26" (140-159mm)
Unilumin UpanelSII (609.9x343)	15.11" (384mm)	12.01" (305mm)	24.02" (610mm)	5.3"-6.05" (135-154mm)
Unilumin Uslim II (500x1000)	40.97" (1041mm)	9.84" (250mm)	19.69" (500mm)	4.26"-5.01" (108-127mm)
Unilumin Uslim II (500x250)	11.45" (291mm)	9.84" (250mm)	19.69" (500mm)	4.26"-5.01" (108-127mm)
Unilumin Uslim II (500x500)	21.29" (541mm)	9.84" (250mm)	19.69" (500mm)	4.26"-5.01" (108-127mm)
Unilumin UTWIII (960x540)	22.86" (581mm)	18.90" (480mm)	37.80" (960mm)	3.85"-4.6" (98-117mm)
Uniview UHD (480x270)	11.45" (291mm)	9.45" (240mm)	18.9" (480mm)	4.39"-5.14" (112-131mm)
Uniview UHD (960x540)	22.08 (561mm)	18.9" (480mm)	37.8 (960mm)	4.39"-5.14" (112-131mm)
Vanguard Axion (300x337.5)	14.89" (378mm)	5.91" (150mm)	11.81" (300mm)	5"-5.75" (127-146mm)
Vanguard Axion (600x337.5)	14.89" (378mm)	11.81" (300mm)	23.62" (600mm)	5"-5.75" (127-146mm)
Vanguard Invictus (600x337.5)	13.71" (348mm)	11.81" (300mm)	23.62" (600mm)	3.86"-4.61" (98-117mm)
Vanguard LA 43" (960x540)	22.47" (571mm)	18.90" (480mm)	37.80" (960mm)	4.27"-5.02" (109-128mm)
Vanguard LA 55" (1212x681.75)	28.05" (712mm)	11.93" (303mm)	23.86" (606mm)	4.29"-5.04" (109-128mm)
Vanguard Sirius (1200x675)	27" (686mm)	11.81" (300mm)	23.62" (600mm)	3.86"-4.61" (98-117mm)
Vanguard Zirconium (1000x250)	11.64" (296mm)	9.84" (250mm)	19.69" (500mm)	4.38"-5.13" (111-130mm)
Vanguard Zirconium (750x250)	11.64" (296mm)	14.76" (375mm)	29.53" (750mm)	4.38"-5.13" (111-130mm)
Vanguard Zirconium (500x250)	11.64" (296mm)	9.84" (250mm)	19.69" (500mm)	4.38"-5.13" (111-130mm)
WORTH IFA (1000x250)	11.17" (284mm)	9.84" (250mm)	19.69" (500mm)	3.92"-4.67" (100-119mm)
WORTH UHD (600x337.5)	14.89" (378mm)	11.81" (300mm)	23.62" (600mm)	4.31"-5.06" (110-129mm)

ENG This page intentionally left blank.

2

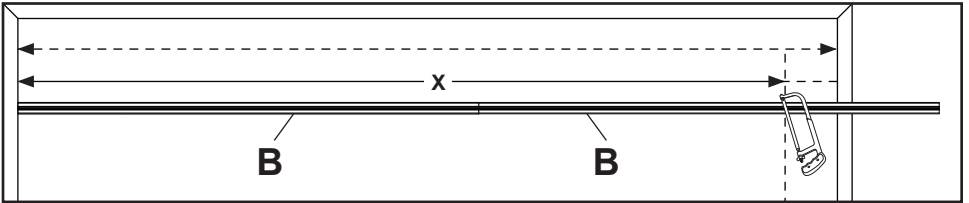
Optional: connecting two horizontal extrusions.



2-1

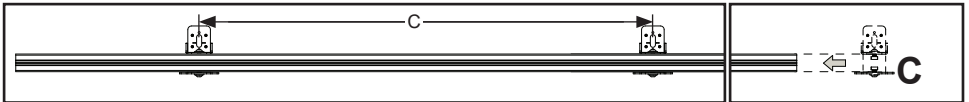
Determine the required extrusion length with the following extrusion cut to length formula:

$$\text{Video Wall Width} - 0.25" (6\text{mm}) = \text{Extrusion Length}$$



2-2

Now that the extrusions are cut to length, separate the extrusions and slide wall plates onto extrusions and tighten with the wall plate fully extended (one wall plate per display unless the display is >960mm wide, in which case there will be two wall plates per display).

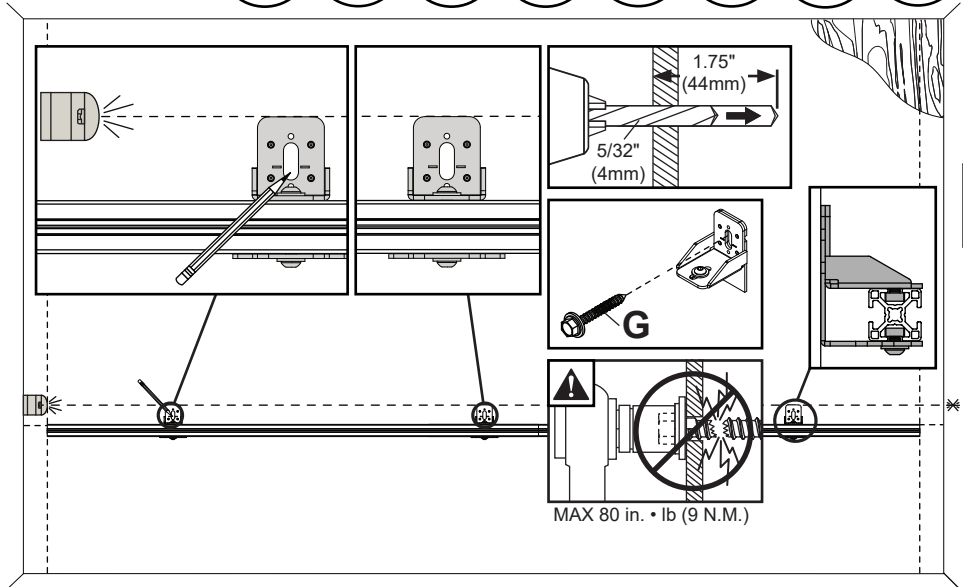
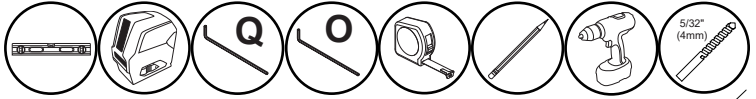


⚠ WARNING

When installing Peerless wall mounts on a wood stud wall covered with plywood, verify that the wood studs are a minimum of 2" x 4" nominal size and plywood is a minimum Grade BC, 1/2" (13mm) thick. Plywood may be covered by gypsum board (drywall) up to 5/8" thick.

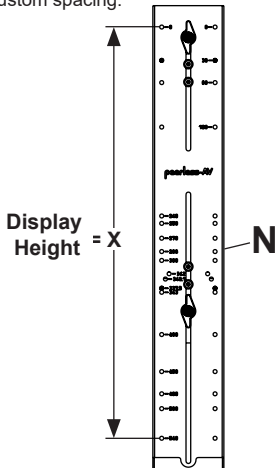
2-3

Install the bottom row, first extrusion assembly, on the laser line per table (step 1), dimension "A". Install additional bottom row extrusions one at a time using connector plates to join extrusions. Drill mounting holes and install screws and washers with top edge of the wall plates on the laser line.



3

Determine the height of the display being mounted and locate the same dimension on the front of the spacer. If the display height is above 540mm, add the spacer extension. If display height is not listed on the spacer, measure the display to set custom spacing.



$X > 540\text{mm}$



$X \leq 540\text{mm}$

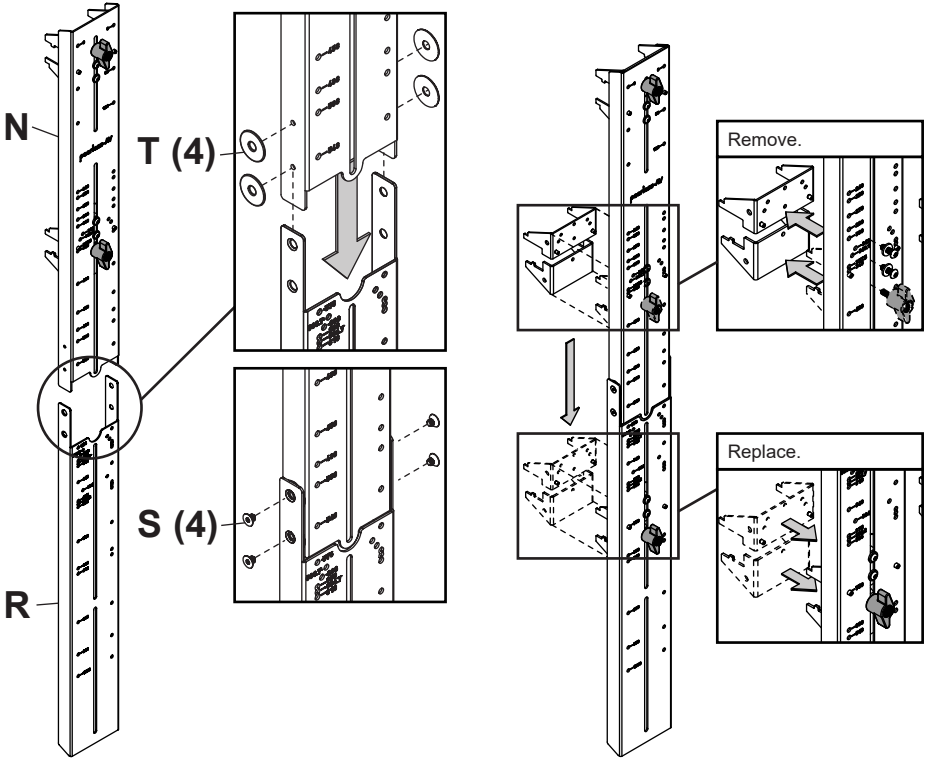


$X = \text{Not listed}$



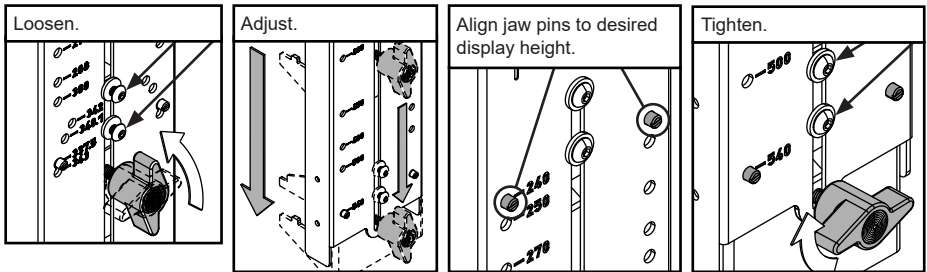
3-1

Add the extension for displays taller than 540mm. Move the spacer bracket and clamp to the lower extension.



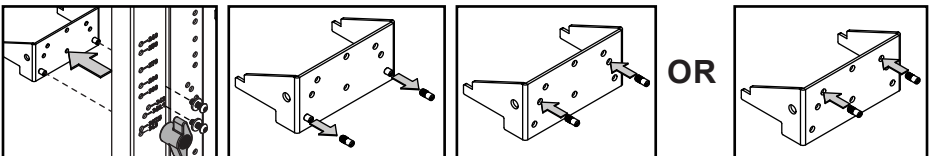
4a

Move spacer bracket and clamp to the desired display height. This may require adjusting the pins of spacer bracket.



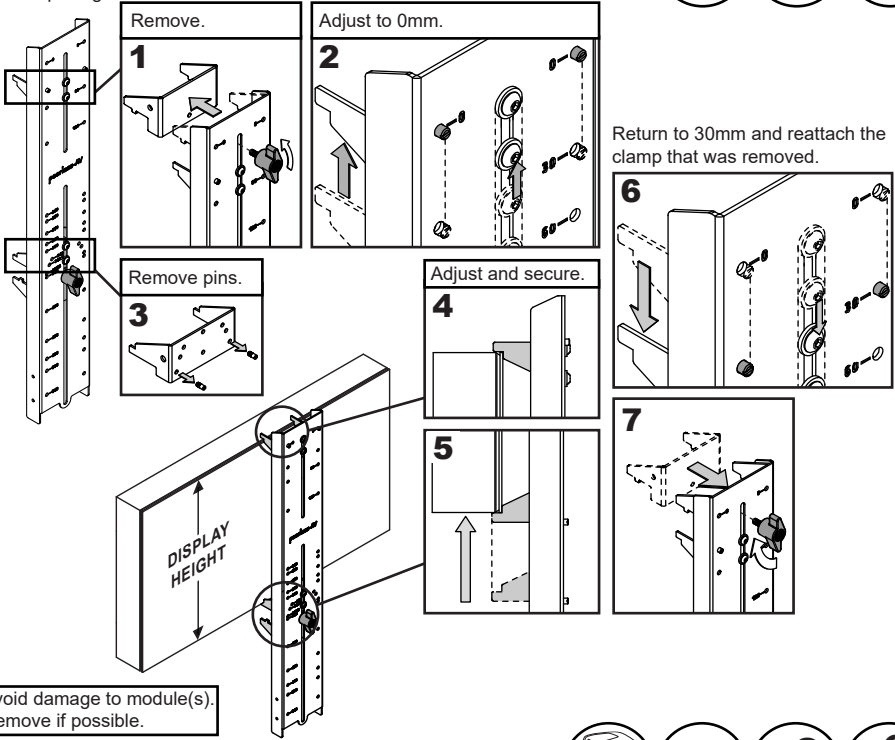
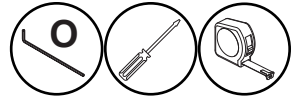
4a-1

Optional: Remove and replace pins to align with correct display height.



4b

If the display height is not listed on the spacer, measure the display to set the spacing.

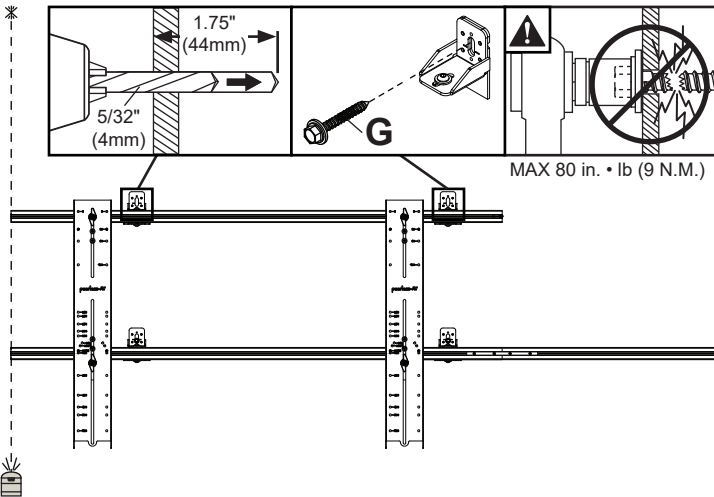
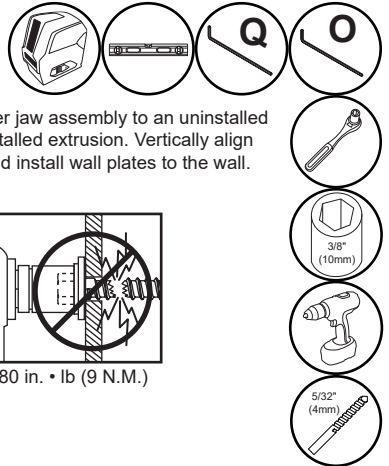


Return to 30mm and reattach the clamp that was removed.

Avoid damage to module(s).
Remove if possible.

5

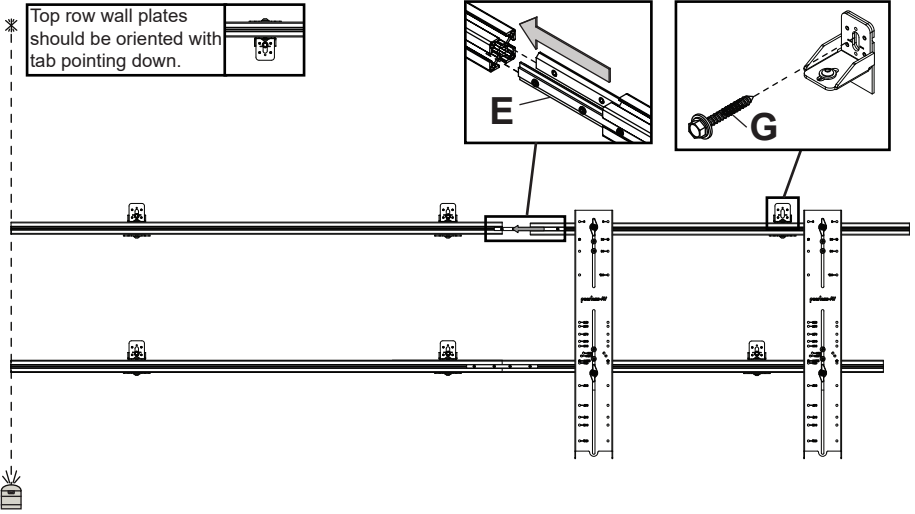
Install remaining extrusions using the spacers. Clamp the upper spacer jaw assembly to an uninstalled extrusion assembly. Clamp the bottom spacer jaw assembly to the installed extrusion. Vertically align extrusions with a laser. Drill mounting holes into supporting surface and install wall plates to the wall.



6

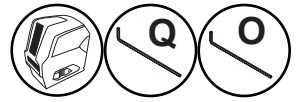
Loosen clamps and remove spacers. Repeat steps above to install the next extrusion.

Engage and secure connector plate to mounted extrusions. Secure wall plates to wall. Remove spacer when extrusions are fully secured.

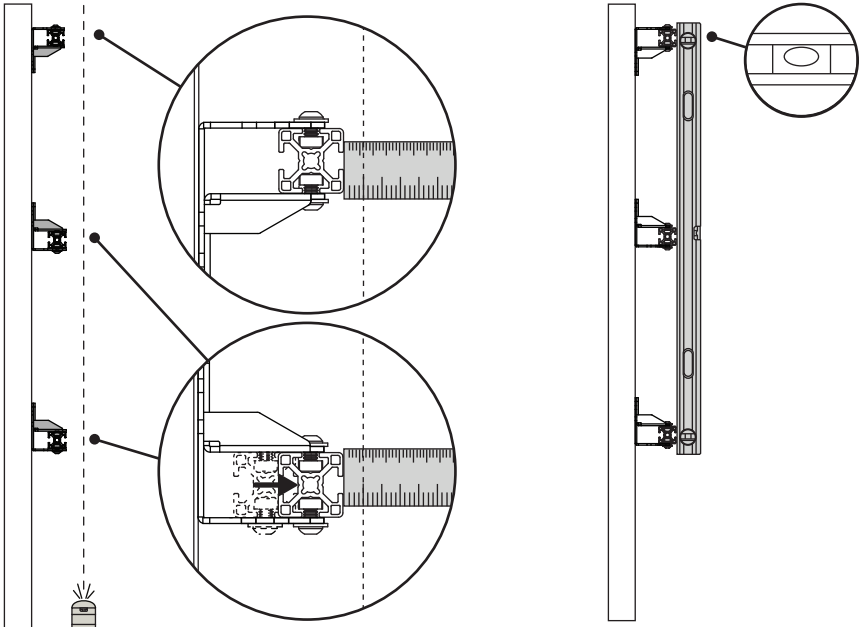


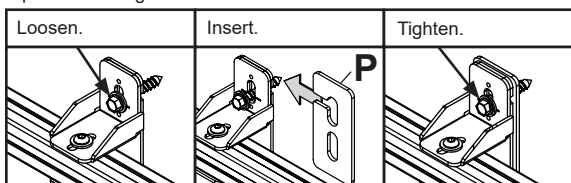
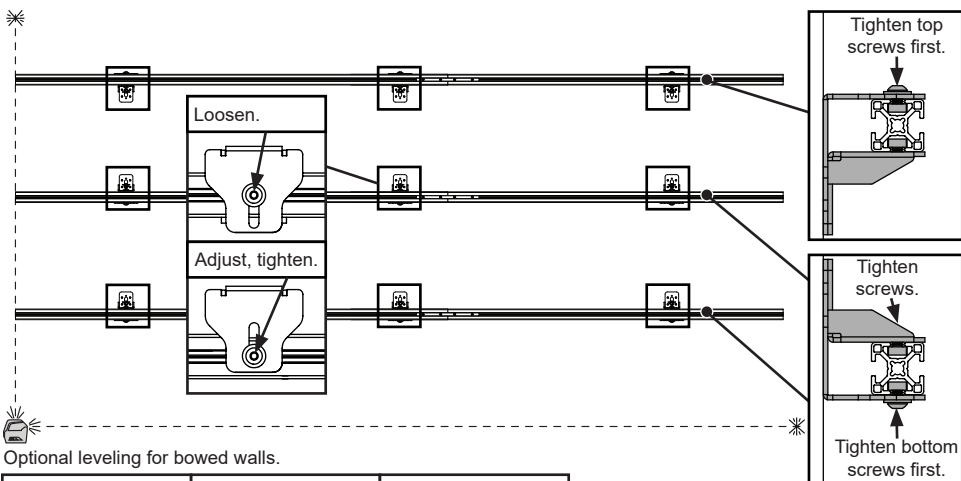
7

Set a laser level so that it is parallel to the mounting surface (wall). Measure to the face of the extrusion so that all points of the extrusion are the same distance from the laser line, creating one flat plane across the face of the mount. Tighten screws.

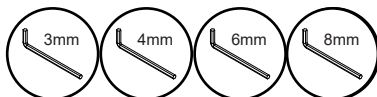
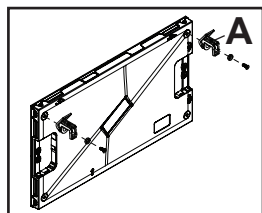


Double check using a straight edge to span three extrusions. Adjust low and high spots as needed.

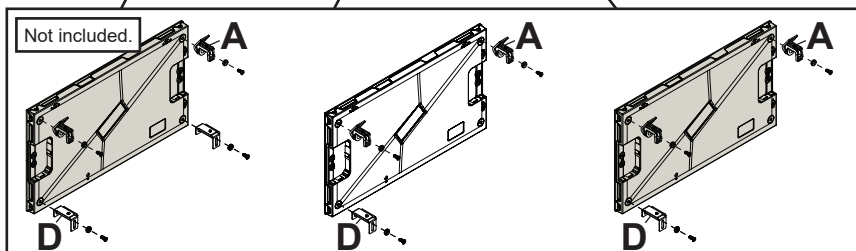
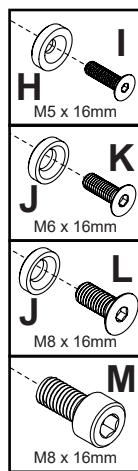
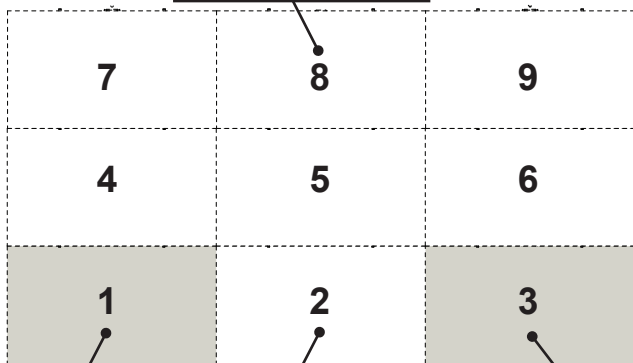




8



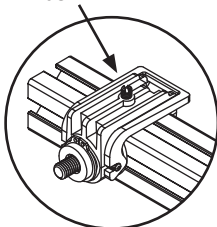
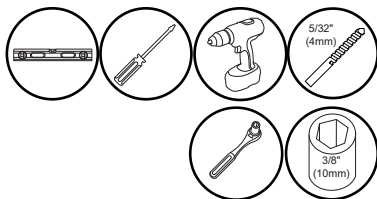
If mounting hardware is preinstalled, remove and replace with hardware provided.



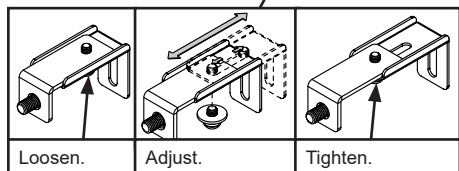
9

Hook display cabinets onto horizontal extrusion, adjust height to level and join cabinets together using connecting system. Adjust plumb, close latch, then run cables one at a time starting from left to right.

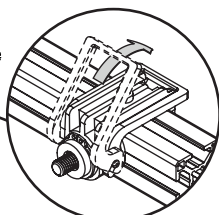
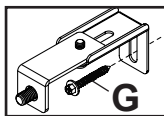
HEIGHT ADJUSTMENT



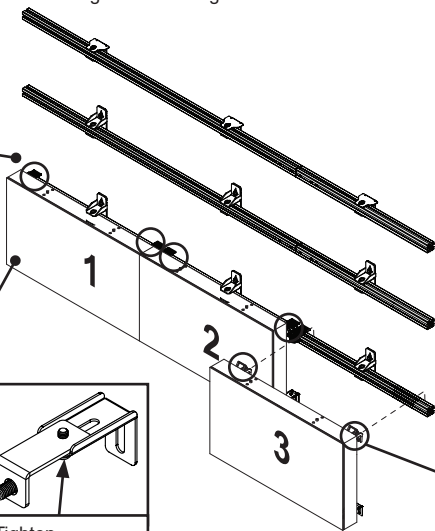
CLOSE LATCH TO SECURE



Optional:



OPEN LATCH TO ENGAGE EXTRUSION

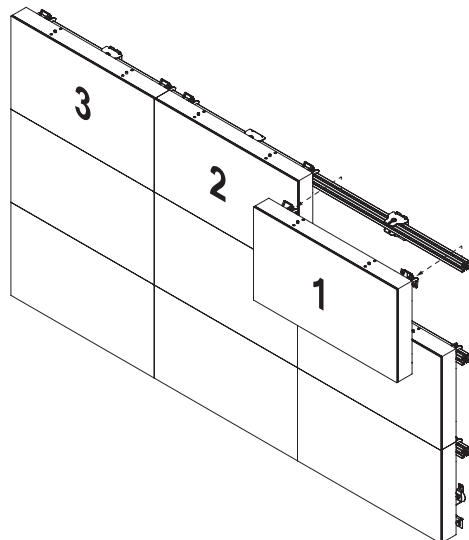
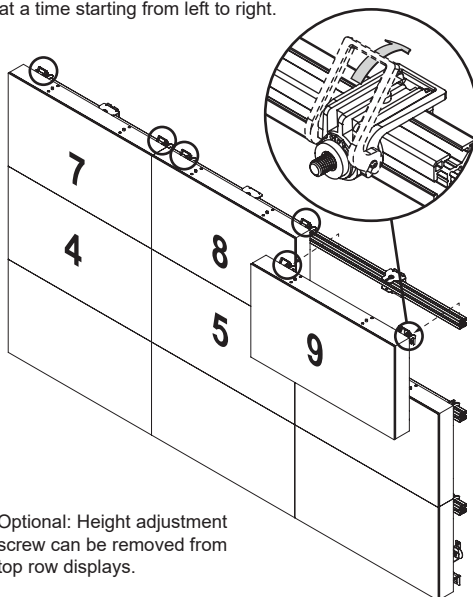


9-1

Hook display cabinets onto horizontal extrusion, adjust height to level and join cabinets together using connecting system. Close latch, then run cables one at a time starting from left to right.

9-2

To remove, start from the top right. Open latch assemblies, disconnect cables, separate cabinets and remove displays one at a time.



Optional: Height adjustment screw can be removed from top row displays.

ENG Warranty	ESP Garantía	FRN Garantie	DEU Garantie	NEL Garantie
ITL Garanzia	ČES Záruka	SLK Záruka	POR Garantia	TÜR Garanti

www.peerless-av.com/warranty • www.peerless-av.com • www.peerless-av.com/patents

peerless-AV[®]

Peerless-AV
2300 White Oak Circle
Aurora, IL 60502, USA
info@peerless-av.com

(800) 865-2112
(630) 375-5100

Peerless-AV EMEA
Unit 2, Curo Park
Frogmore, St. Albans,
Hertfordshire, AL2 2DD
United Kingdom

+44 (0) 1923 200 100

Peerless-AV B.V.
Papendorpseweg 75
3528 BJ Utrecht
The Netherlands

+31 (0) 70 770 8037

Peerless-AV Latin America
Av. de las Industrias 413
Parque Industrial Escobedo
General Escobedo N.L.,
México 66062

+52 (81) 8384-8300