

ESF675



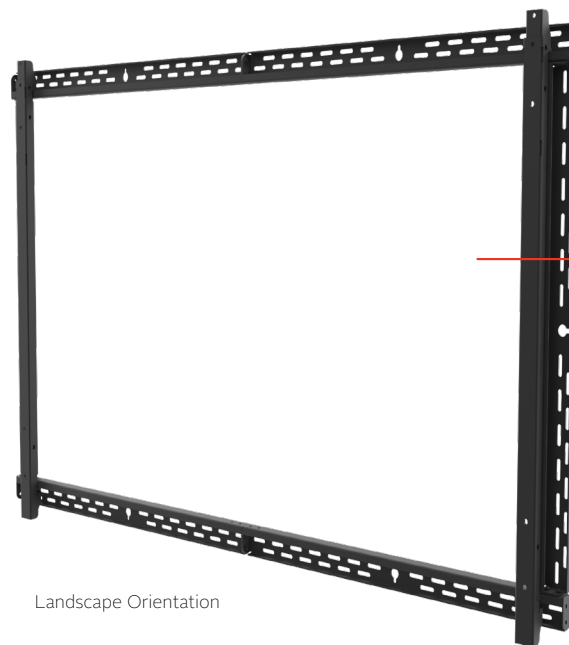
	<b>Mounting Pattern</b> 1400 x 600mm (55.12" x 23.62")		<b>Max Load</b> 200lb (91kg)
	600 x 1400mm (23.62" x 55.12")		

# Outdoor Flat Wall Mount

FOR THE 75" XTREME™ HIGH BRIGHT OUTDOOR DISPLAY (XHB754)

Designed exclusively for the Peerless-AV® 75" Xtreme™ High Bright Outdoor Display (XHB754), the ESF675 outdoor wall mount combines versatility, simplicity, and stability. Made of heavy gauge steel, with a corrosion resistant coating and stainless steel hardware, this outdoor mount is designed to meet the demanding needs of the outdoors. The mount's unique design provides a single solution for mounting the XHB754 in either portrait or landscape. The mount also ships with security screws so only those with the proper tool can gain access to the display. This mount is ideal for patios, bars, entryways, walkways and more in any professional application - from restaurants, stadiums, retail and beyond.

- Telescoping adaptors allow the XHB754 to be installed in portrait or landscape orientation
- Universal mounting pattern up to 1400 x 600mm (55.12" x 23.62")
- Designed specifically for outdoor use and constructed from weatherproof materials
- Mount includes theft resistant hardware, installed with a security tool
- Mounts display 2.15" (55mm) from the wall
- Double stud mounting with 16", 20", 24" and 32" stud placements
- Wood, concrete or cinder block mounting hardware included

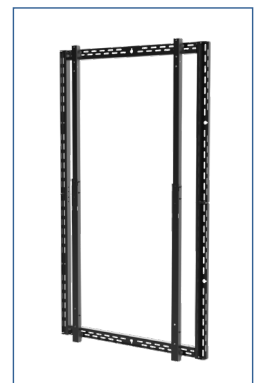


Landscape Orientation

**OPEN WALL PLATE**  
Allows total wall access, increasing electrical and cable management options



For use with 75" Xtreme™ High Bright Outdoor Display (XHB754)



Portrait Orientation



Please visit [peerless-av.com/en-us/patents](http://peerless-av.com/en-us/patents) for patent information.

<b>ESF675</b>	Outdoor Flat Wall Mount for the 75" Xtreme™ High Bright Outdoor Display (XHB754)
---------------	--

**Product Specifications**

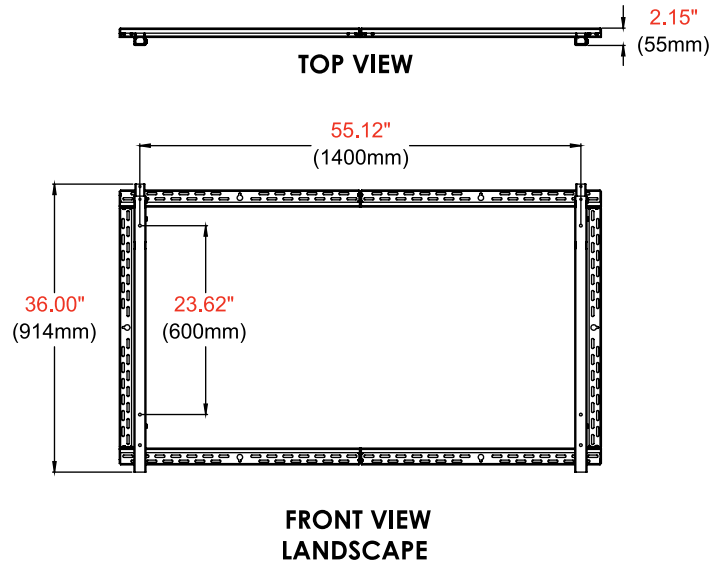
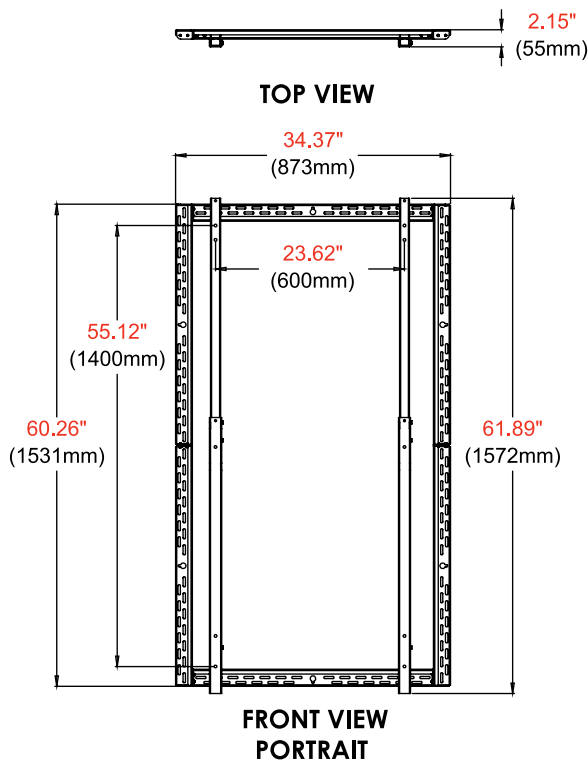
	DIMENSIONS (W x H x D)	PRODUCT WEIGHT	LOAD CAPACITY	FINISH	AVAILABLE COLORS
<b>ESF675</b>	60.26" x 36.00" x 2.15" (1531 x 914 x 55mm)	32lb (14.5kg)	200lb (90.7kg)	Outdoor-Rated Powder Coating	Black

**Package Specifications**

	PACKAGE SIZE (W x H x D)	PACKAGE SHIP WEIGHT	PACKAGE UPC CODE	PACKAGE CONTENTS	UNITS IN PACKAGE
<b>ESF675</b>	10.00" x 5.00" x 39.00" (254 x 127 x 991mm)	35lb (15.9kg)	735029349389	Mount, Hardware, Security Fasteners	1

**Compatible with** XHB754: Peerless-AV® 75" Xtreme™ High Bright Outdoor Display

All dimensions = inch (mm)



**Architect Specifications**

The Outdoor Flat Wall Mount shall be a Peerless-AV model ESF675 and shall be located where indicated on the plans. Assembly and installation shall be done according to instructions provided by the manufacturer.

Visit [peerless-av.com](http://peerless-av.com) to see the complete line of AV solutions from Peerless-AV, including outdoor displays, kiosks, display mounts, projector mounts, carts/stands, and a full assortment of accessories.

**Peerless-AV**  
2300 White Oak Circle  
Aurora, IL 60502  
USA  
**(800) 865-2112**  
**(630) 375-5100**

**Peerless-AV EMEA**  
Unit 2 Curo Park  
Frogmore, St. Albans  
Hertfordshire, AL2 2DD  
United Kingdom  
**+44 (0) 1923 200 100**

**Peerless-AV B.V.**  
Papendorpseweg 75  
3528 BJ Utrecht  
The Netherlands  
**+31 (0) 70 770 8037**

**Peerless-AV Latin America**  
Av. de las Industrias 413  
Parque Industrial Escobedo  
General Escobedo, N.L.,  
México, 66062  
**+52 (81) 8384-8300**

