

100m USB 3.2 Single Gan In-Wall HDBT 3.0 Transmitter and Receiver Kit

EX-100-IW-USBC



Quickstart Guide

💡 WyreStorm recommends reading through this document in its entirety to become familiar with the product's features prior to starting the installation process.



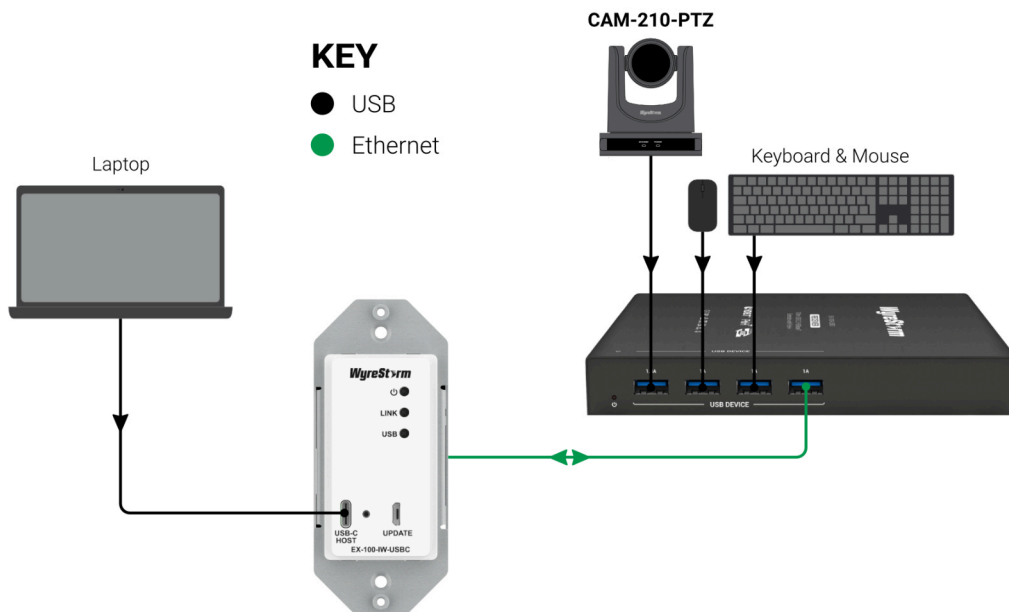
⚠️ IMPORTANT! Installation Requirements

- Read through the [Wiring and Connections](#) section for important wiring guidelines before creating or choosing premade cables.
- Visit the product pages to download the latest firmware, document version, additional documentation, and configuration tools.

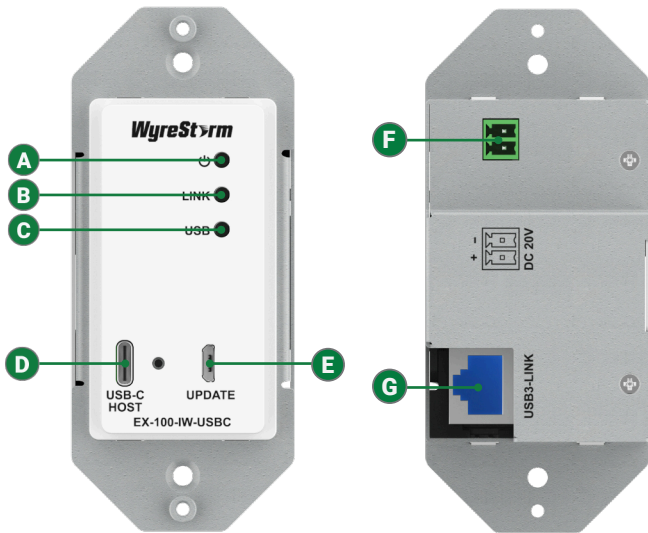
In the Box

- 1x EX-100-IW-USBC Transmitter
- 1x EX-100-IW-USBC Receiver
- 1x DC 20V/3A Power Adaptor (US/UK/EU/AU)
- 1x 2m USB 3.2 Type-C to Type-C Cable
- 1x Wall Plate Plastic Panel (1-gang US) with Screws
- 2x Mounting Bracket with Screws
- 1x Quickstart Guide (This Document)

Basic Wiring Diagram

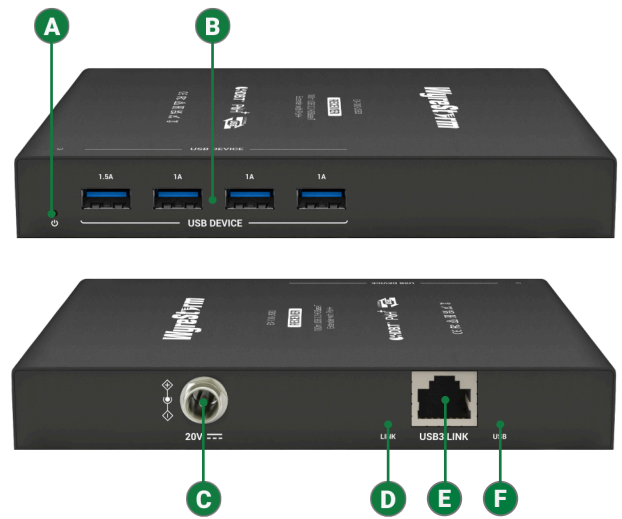


EX-100-IW-USBC (Front)



A Power LED	Solid: The unit is powered On Off: The unit is powered Off
B Link LED	On: Indicates link with receiving device Off: No link with receiver/powered off
C USB LED	On: USB data transmission Off: No USB data transmission
D USB Host	USB 3.0 Type B female Connection of USB Host device
E Update Port	Micro USB for firmware updates
F DC 20V	Connect to the 20V power adapter
G USB3 Link	Connect to the receiver for USB transmission

EX-100-IW-USBC (Rear)



A Power LED	Solid: The unit is powered On Off: The unit is powered Off
B USB Device	USB 3 Type A female Connection of USB peripherals
C DC 20V	Connect to the 20V power adapter
D Link LED	On: Indicates link with receiving device Off: No link with receiver/powered off
E USB3 Link	Connect to the receiver for USB transmission
F USB LED	On: USB data transmission Off: No USB data transmission

Wiring and Connections

WyreStorm recommends that all wiring for the installation is run and terminated prior to making connections to the receiver and transmitter. Read through this section in its entirety before running or terminating any wires to ensure proper operation and to avoid damaging the equipment.

IMPORTANT! Wiring Guidelines

- The use of patch panels, wall plates, cable transmitters, kinks in cables, and electrical or environmental interference will have an adverse effect on signal transmission which may limit performance. Steps should be taken to minimize or remove these factors completely during installation for best results.
- WyreStorm recommends using pre-terminated USB cables due to the complexity of these connector types. Using pre-terminated cables will ensure that these connections are accurate and will not interfere with the performance of the product.

Transmission Distance

T568B straight-through category cable is recommended. Please use F/FTP or U/FTP cable, and **DO NOT** use UTP, F/UTP, or U/UTP cables.

Cable Type	Range
Cat 6A/7 (F/FTP or U/FTP) Cable	100m/330ft

Troubleshooting

No Link, or USB Device is not Recognized.

- Verify that the USB inputs and RJ45 output connections are not loose and are functioning properly.
- Make sure you are using full featured USB cables made by reliable brands.
- Please use cat6A U/FTP or F/FTP cables.

Troubleshooting Tips:

WyreStorm recommends using a cable tester or connecting the cable to other devices to verify functionality.

Specifications

Audio and Video	
Inputs	TX: 1x USB HOST (Type C), 1x DC IN, 1x Micro USB (Firmware update port) RX: 4x USB 3.2 Type A, 1x RJ45 Input
Outputs	TX: 1x RJ45 Output
Supported Standards	USB 3.2 Gen 1
Power	
Power Supply	DC 20V 3A with locking connector
Max. Power Consumption	39.79W (USB fully-loaded) 6.94W (No USB load)
Environmental	
Operating Temperature	0 to + 45°C (32 to + 113 °F), 10% to 90%, non-condensing
Storage Temperature	-20 to +70°C (-4 to + 158 °F), 10% to 90%, non-condensing
Dimensions and Weight	
Height	20.5mm/0.8in
Width	150mm/5.9in
Depth	100mm/3.93in
Regulatory	
Safety and Emission	CE FCC RoHS RCM EAC UKCA

Note: WyreStorm reserves the right to change product specification, appearance or dimensions of this product at any time without prior notice.

Warranty Information

WyreStorm Technologies ProAV Corporation warrants that its products to be free from defects in material and workmanship under normal use for a period of five (5) years from the date of purchase. Refer to the Product Warranty page on [wyrestorm.com](https://www.wyrestorm.com) for more details on our limited product warranty.

