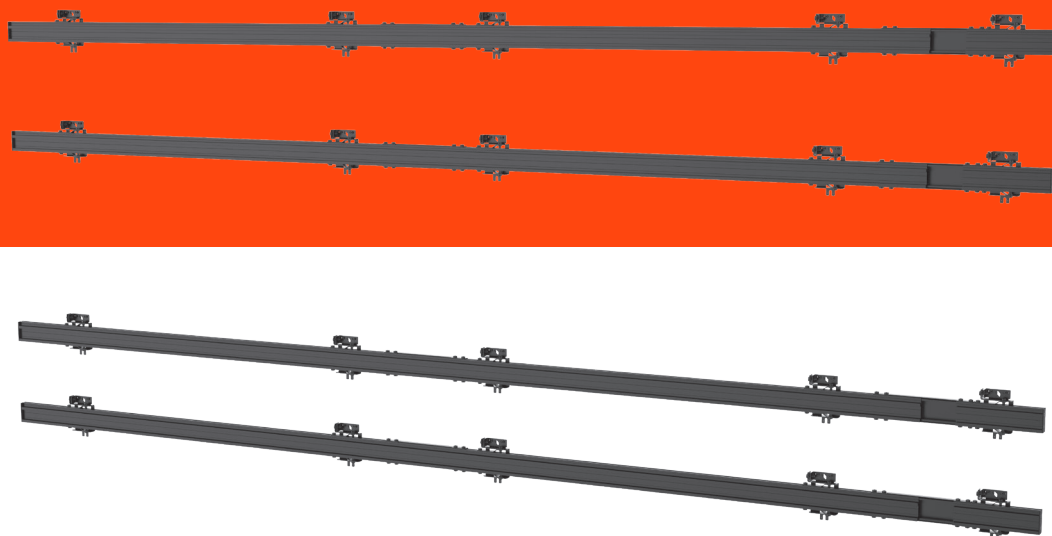


dvLED Connect-it



Installation Manual

EN	Product manual
DE	Produkthandbuch
FR	Manuel de produit
NL	Producthandleiding

CONTENTS

Pre information	3
Mounting Instructions	9
Notes	29
Contact Details	32



(A) PLB 3111
PLB 3120
PLB 3127
PLB 3133

M5x16

(B) PLA 9302

7x80

(C) PLA 9303

(G) PLA 9307

4x
4x M10x30
4x M8x30
4x M6x30

(D) PLA 9304

(F) PLA 9305

4X
4X M10x25
4X M8x25
4X M6x25
1X

(E) 2x PLA 9306

max. load

A. PLB 3XXX 110 kg/242 lbs per bar

B. PLA 9302 25 kg/55 lbs per bracket

C. PLA 9303 30 kg/66 lbs per coupler

D. PLA 9304 30 kg/66 per end piece

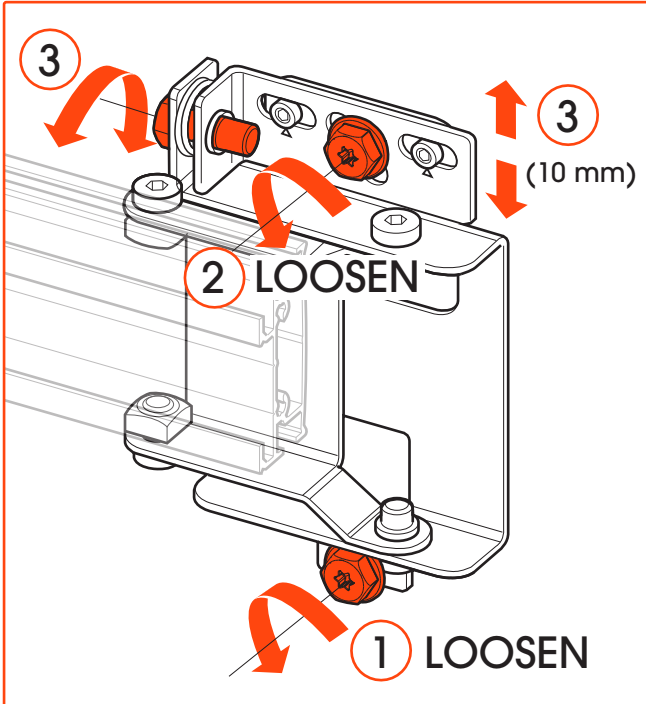
F. PLA 9305 80 kg/176 lbs per 4 cams

E. PLA 9306 n.a.

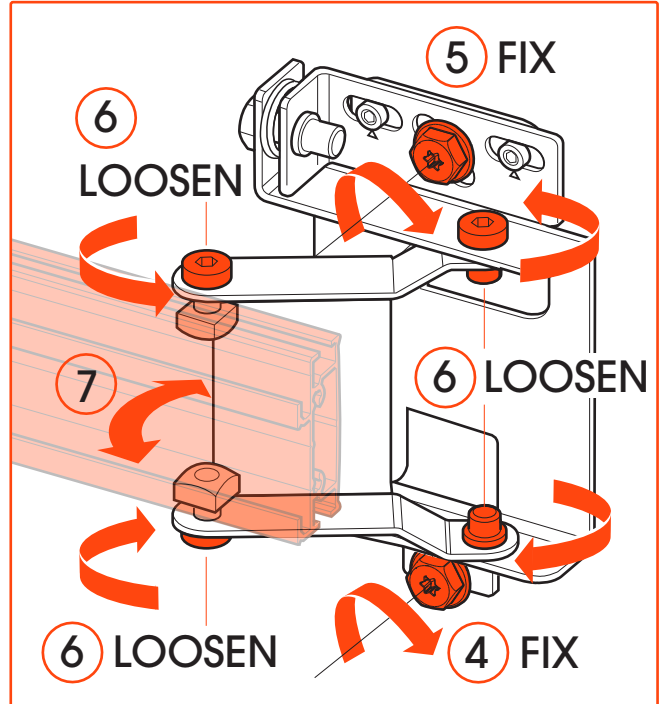
Manual

ADJUSTING THE WALL BRACKETS PLA 9302

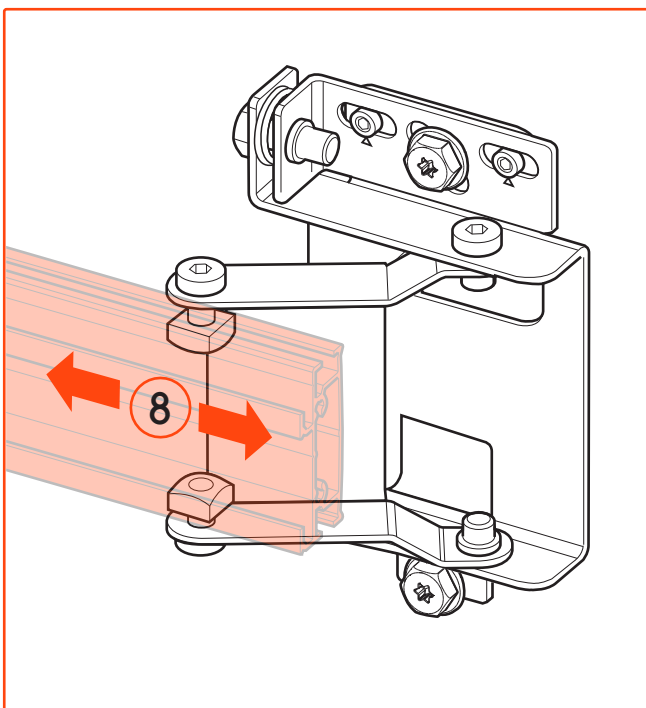
SET HEIGHT (max 10 mm)



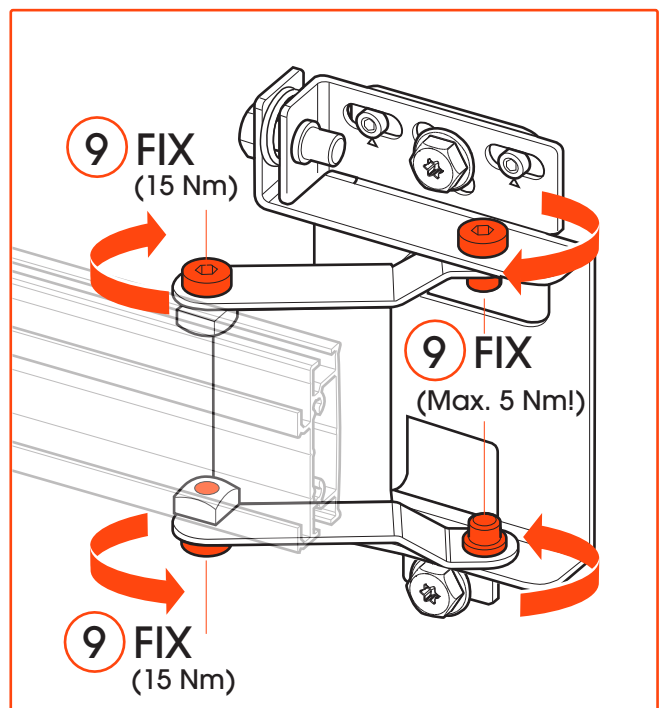
SET DISTANCE TO THE WALL min. 40 mm
max. 80 mm



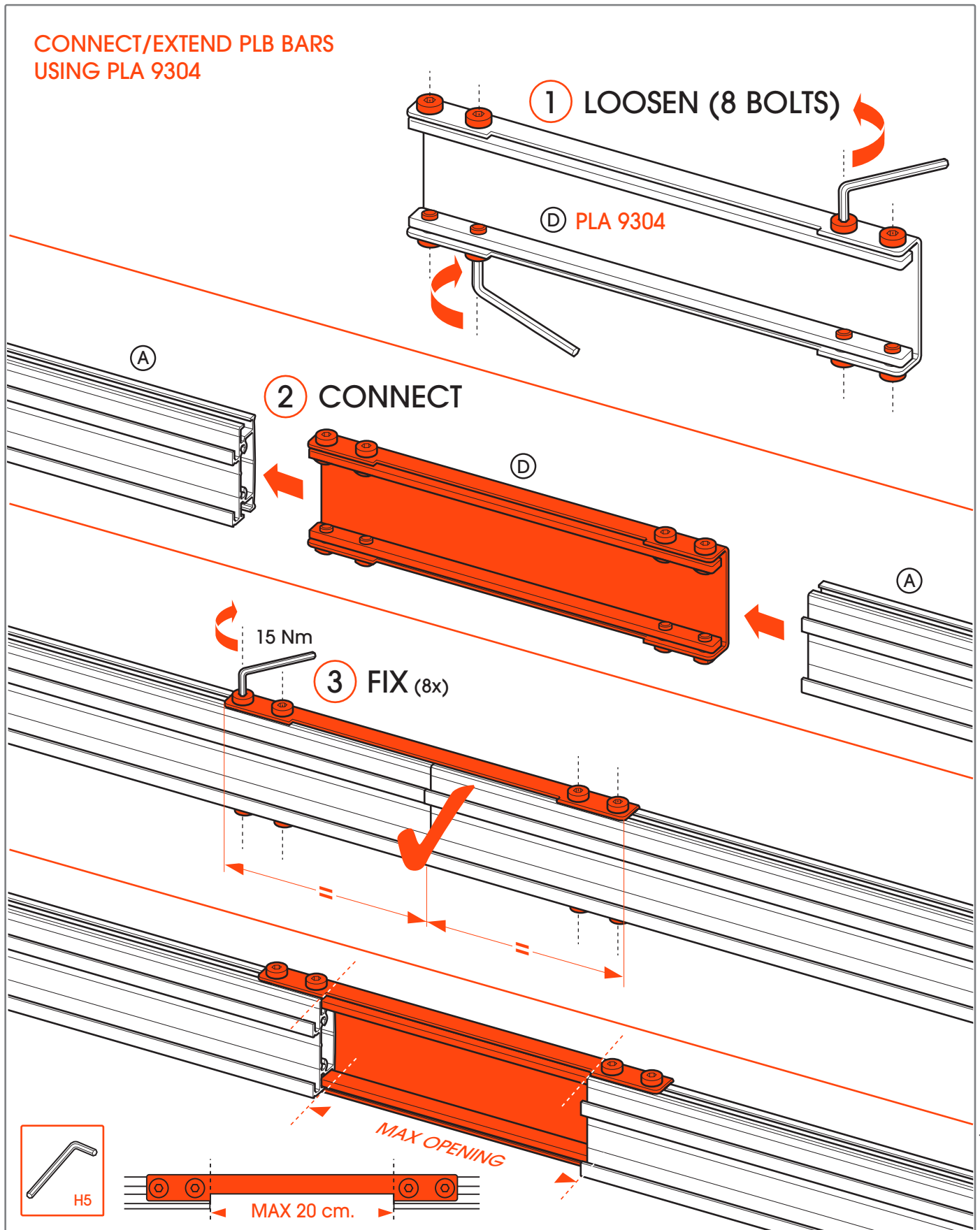
SET WIDTH



FIX

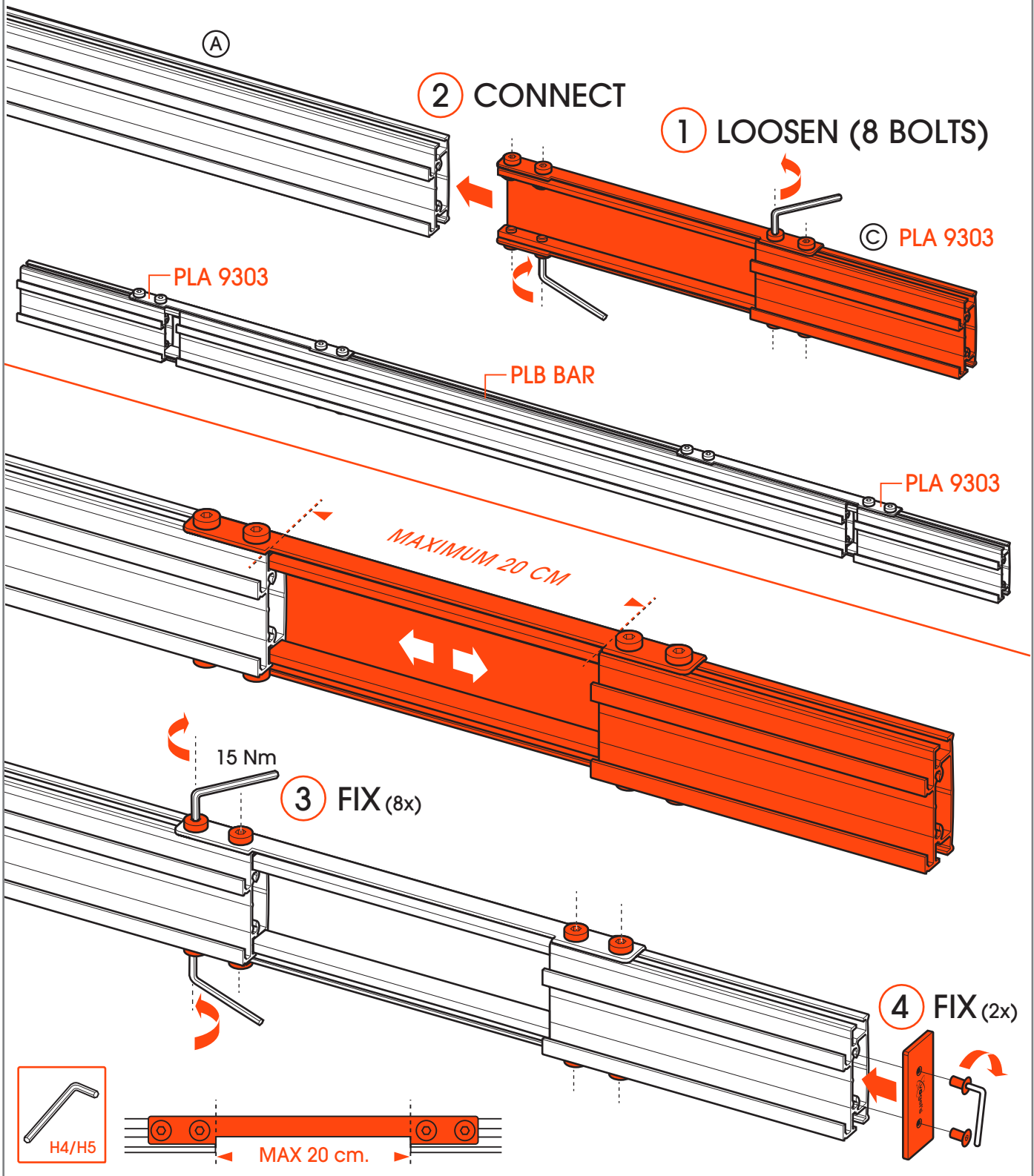


**CONNECT/EXTEND PLB BARS
USING PLA 9304**



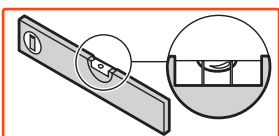
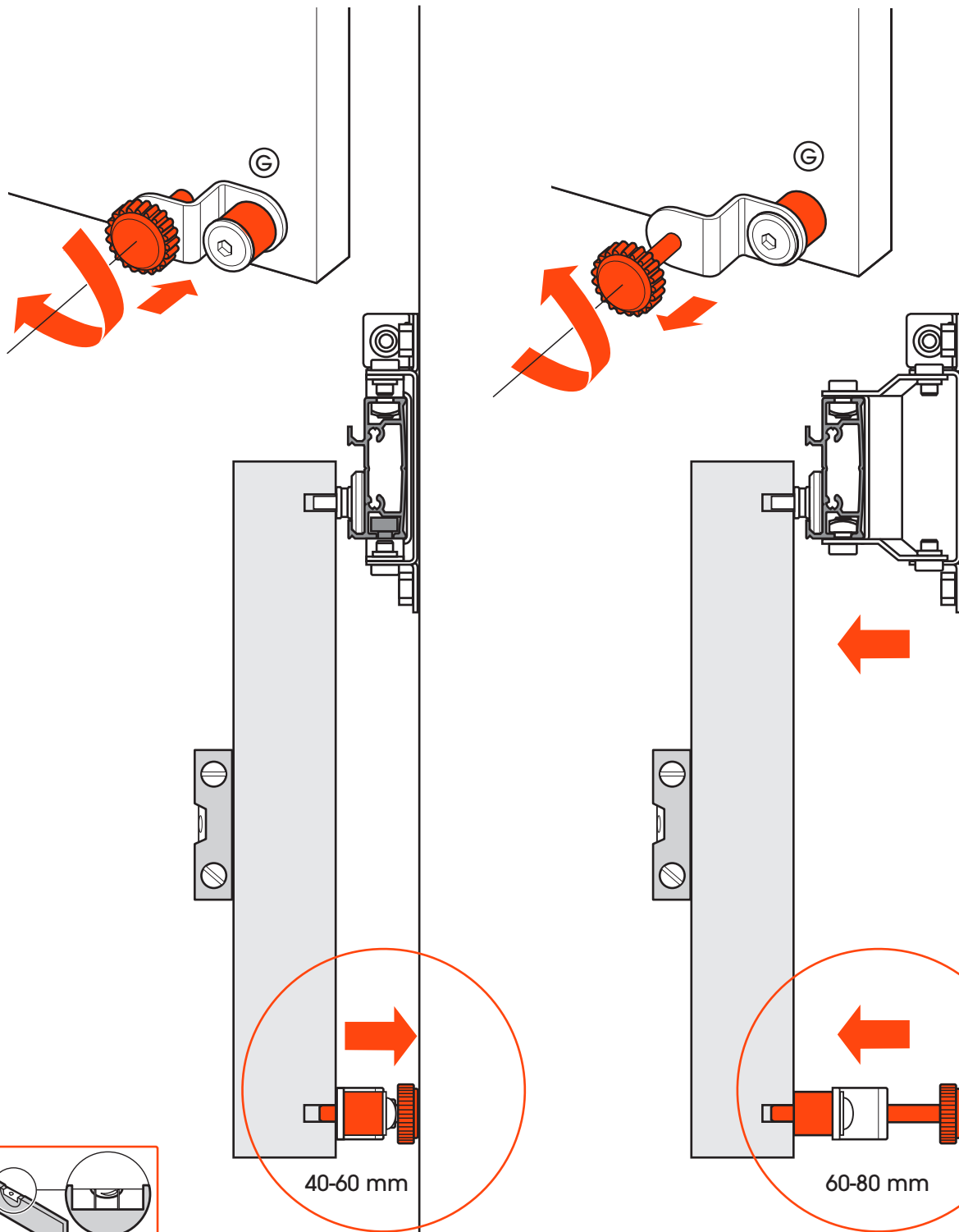
INSTALL EXTENSION PIECES (OPTIONAL PLA 9303)

left and/or right



MOUNTING ADJUSTABLE FEET FOR WALL SOLUTION

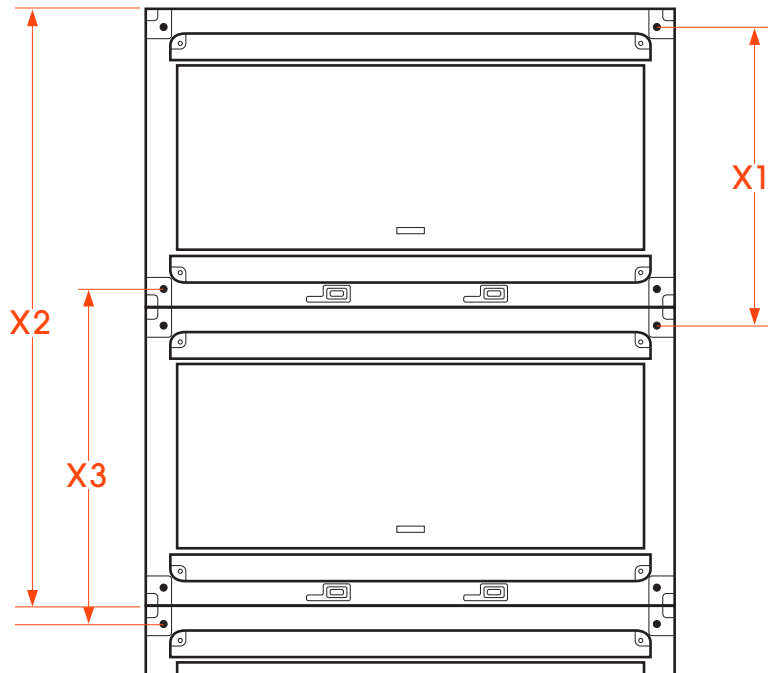
explanation options PLA 9307



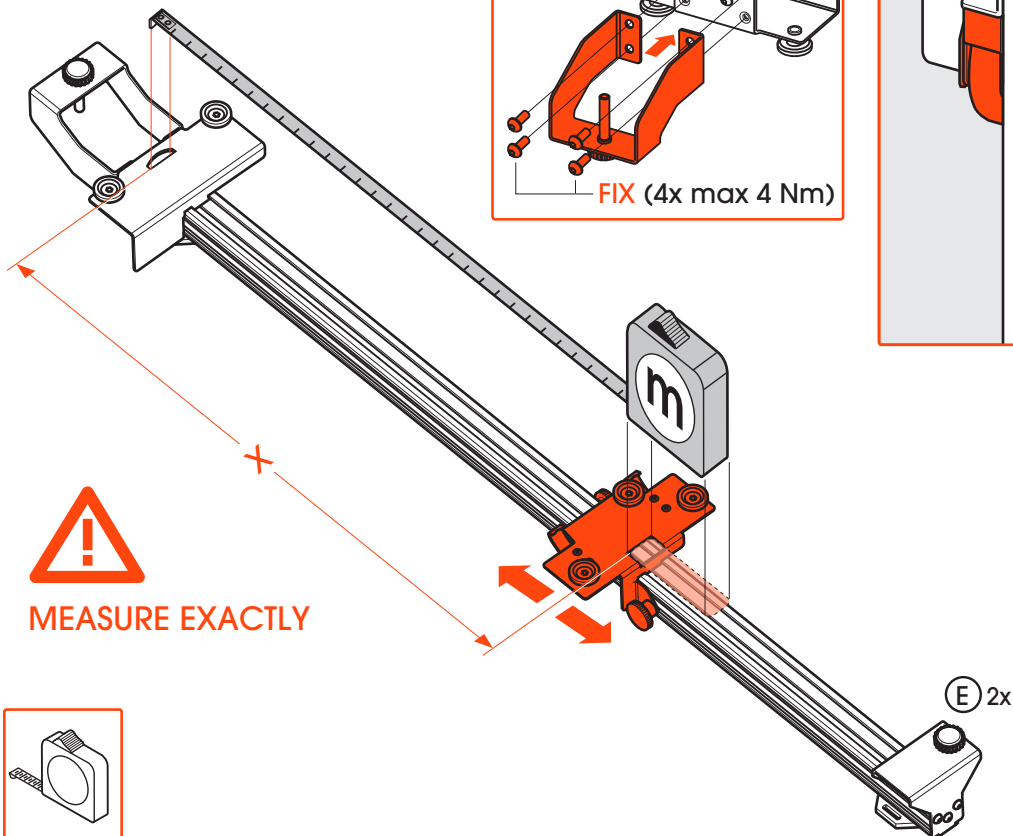
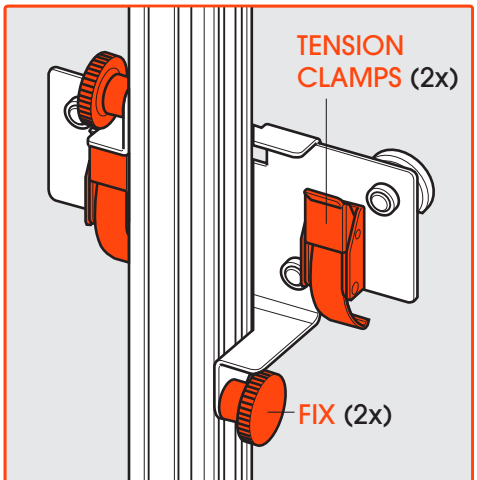
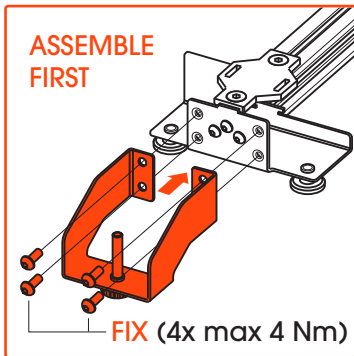
OPTIONAL PLA 9306
set spacer (1)



X1-X2-X3
SEE ASSEMBLY STEPS

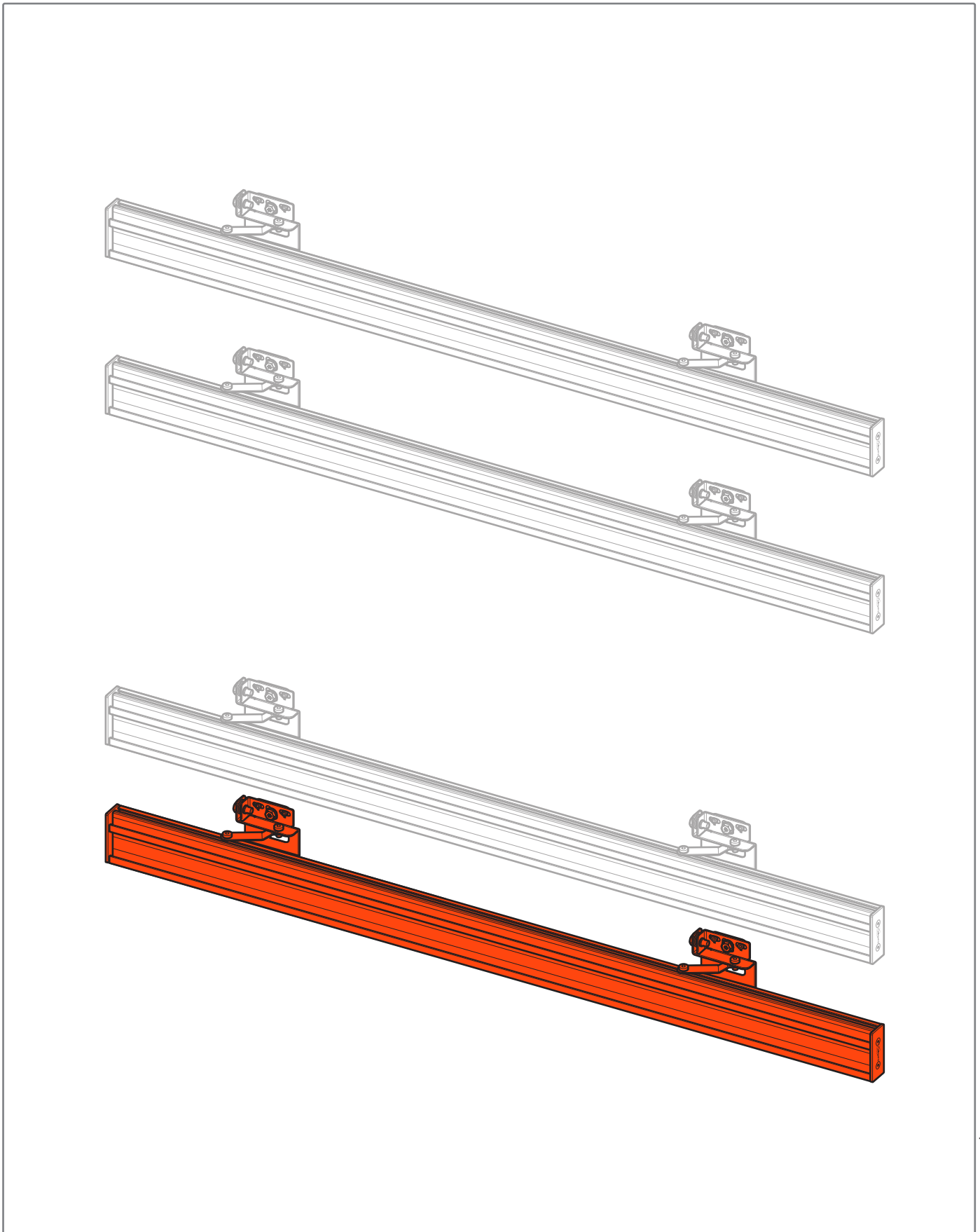


set spacer (2)



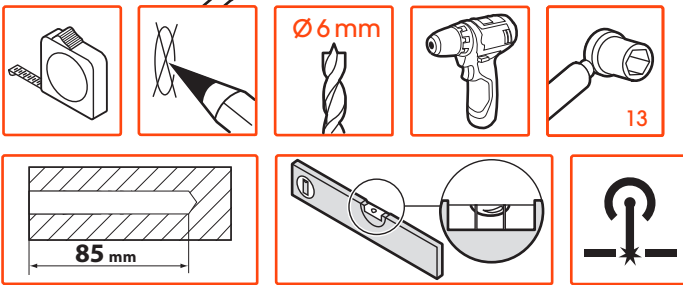
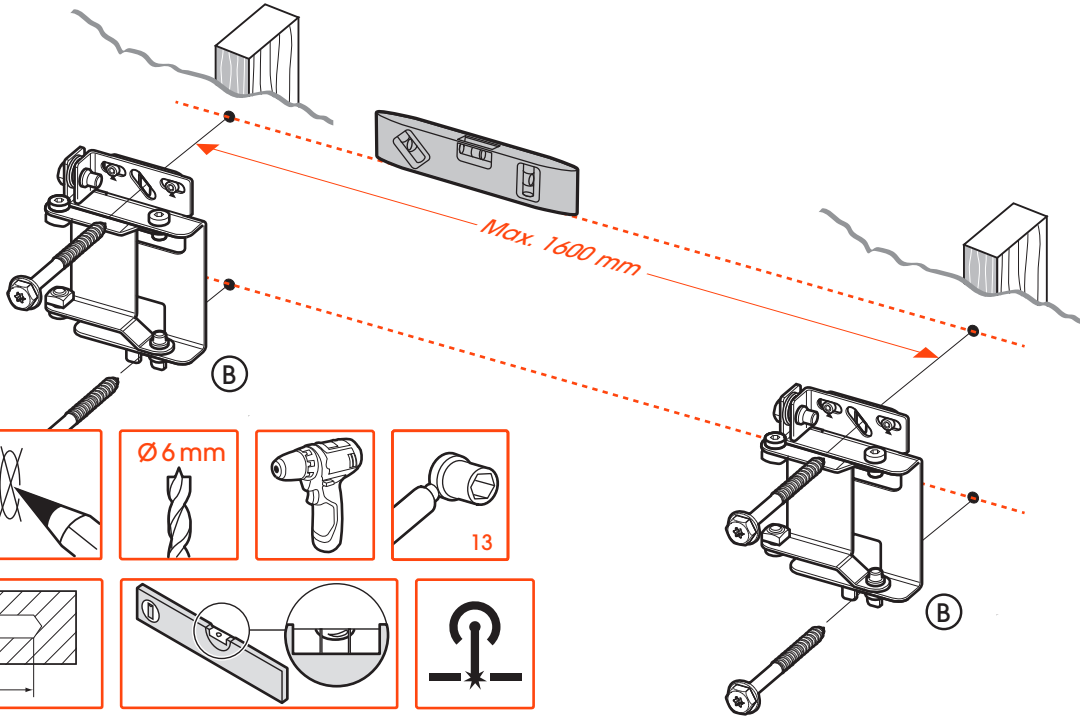
MEASURE EXACTLY



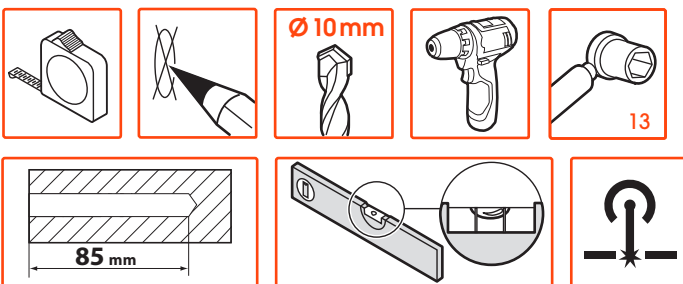
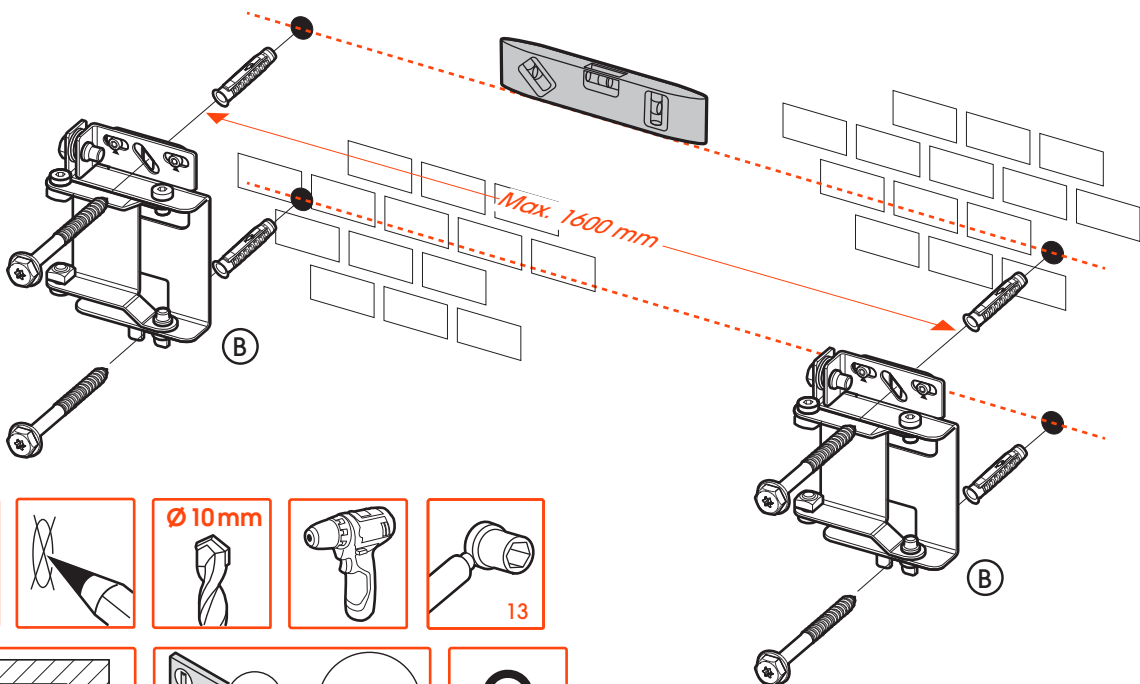


1a INSTALL WALL BRACKETS

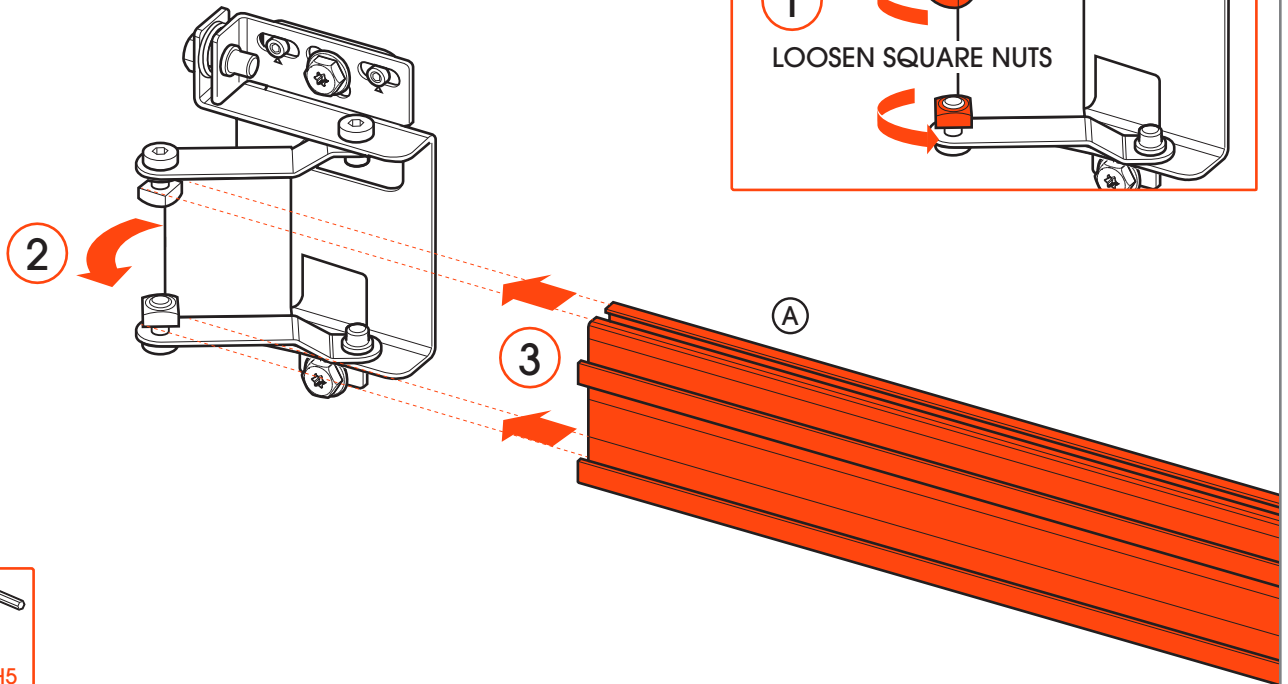
Maximum distance between two brackets is 1600mm



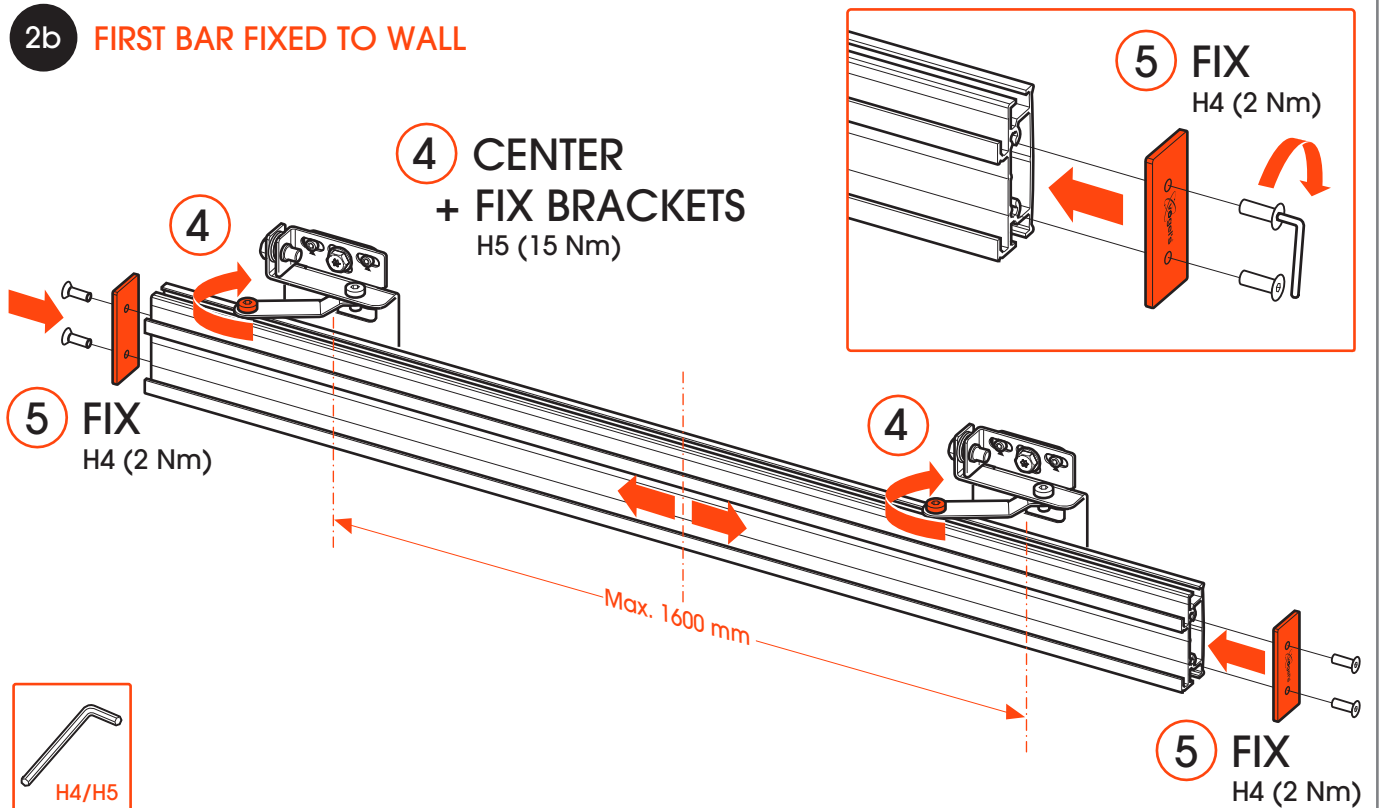
1b



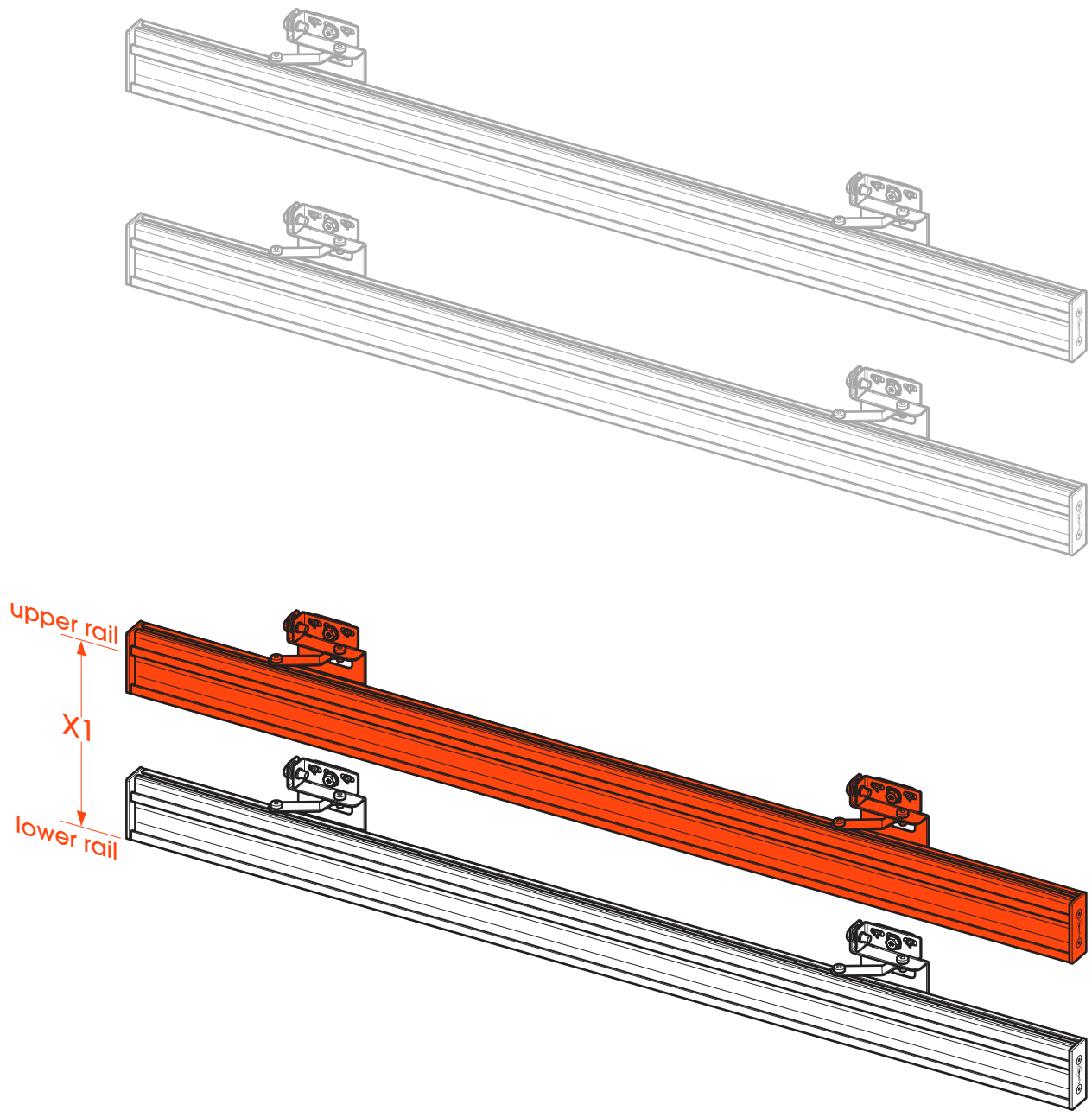
2a INSTALL FIRST PLB BAR



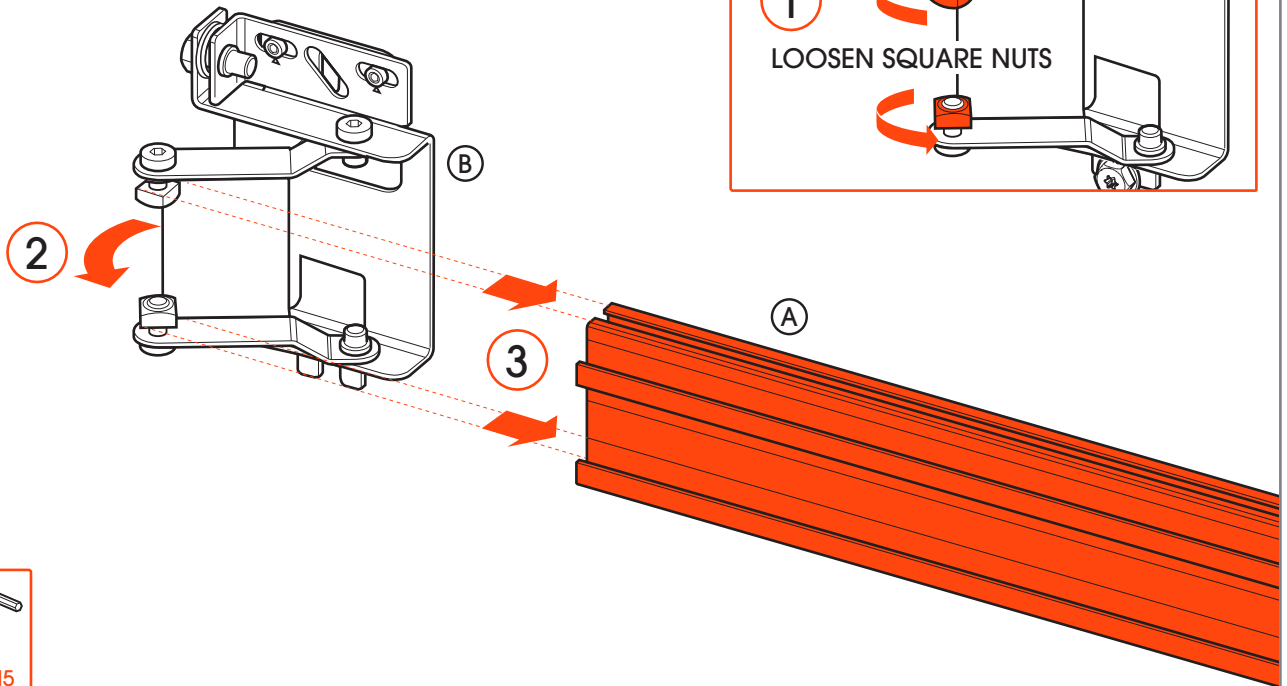
2b FIRST BAR FIXED TO WALL



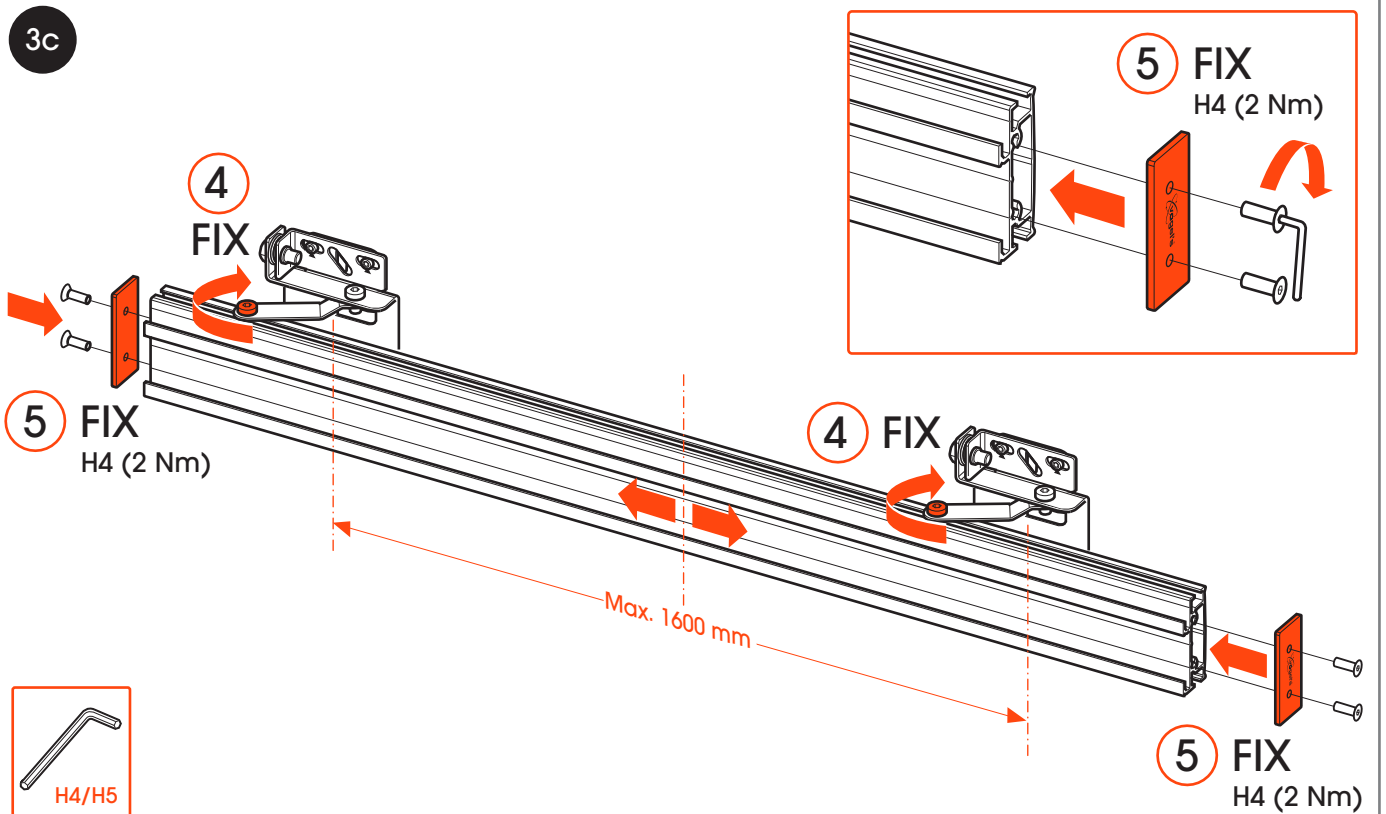
3a INSTALL SECOND BAR



3b SLIDE BRACKETS ONTO THE SECOND BAR

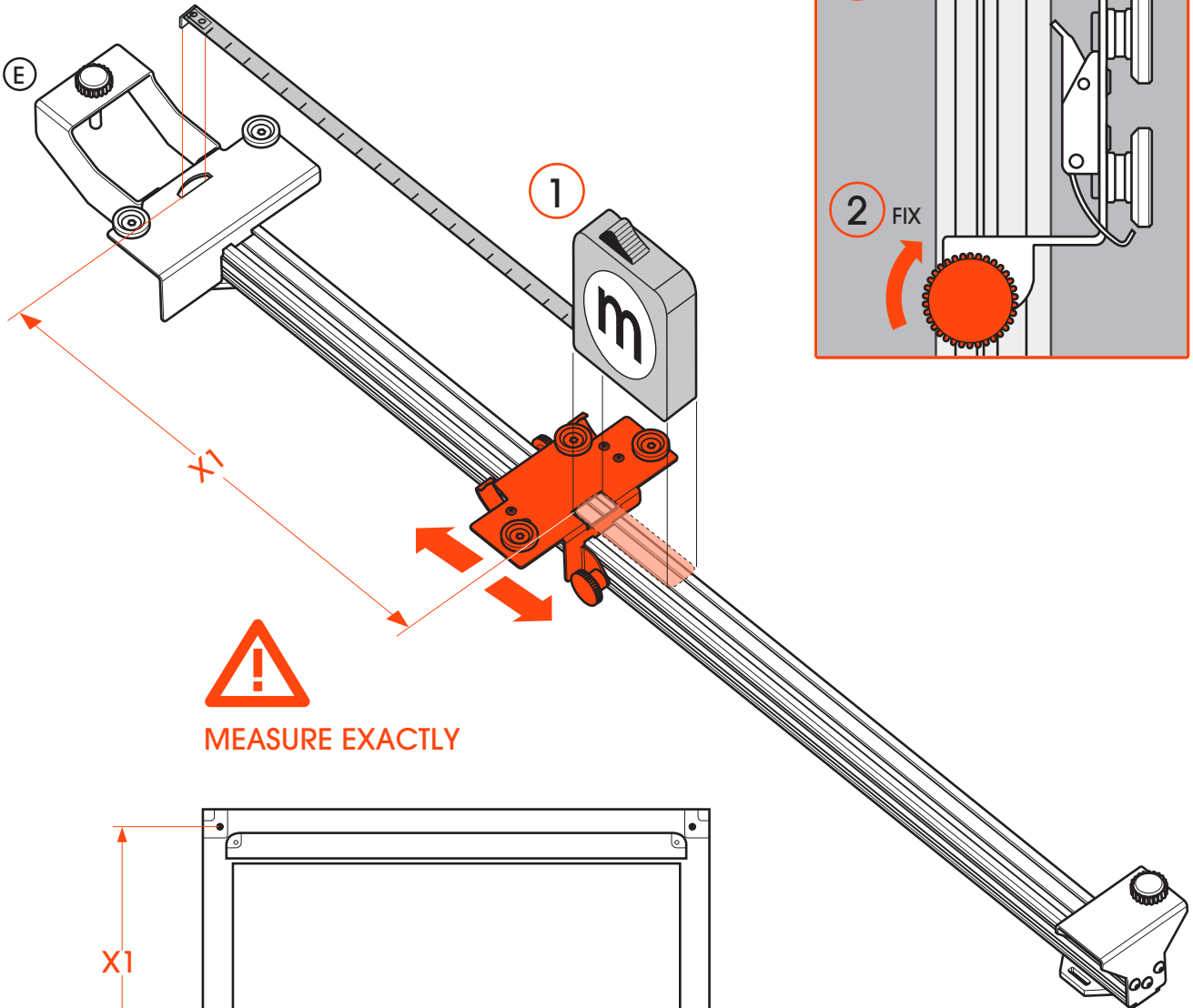


3c

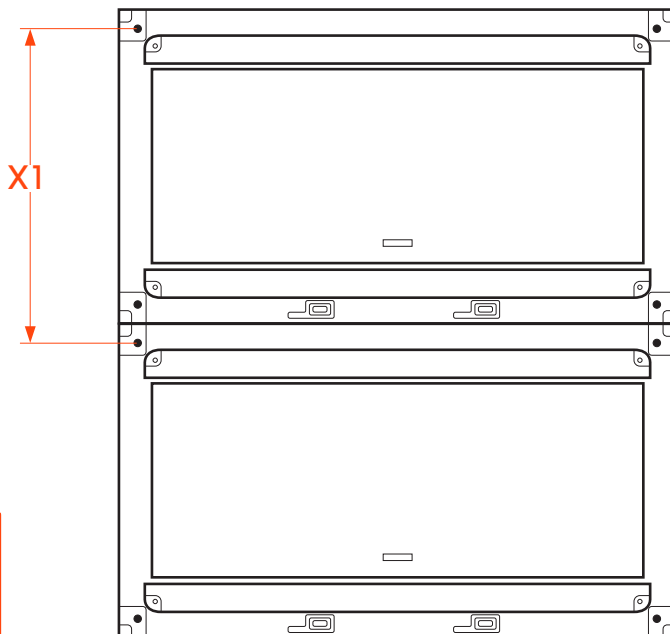


3d INSTALL SECOND BAR USING SPACERS (STEP-1)

set distance X1 of the spacers
check project drawing (supplied by Vogel's)

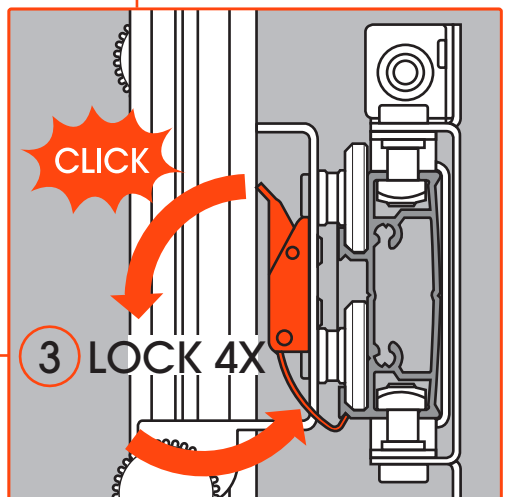
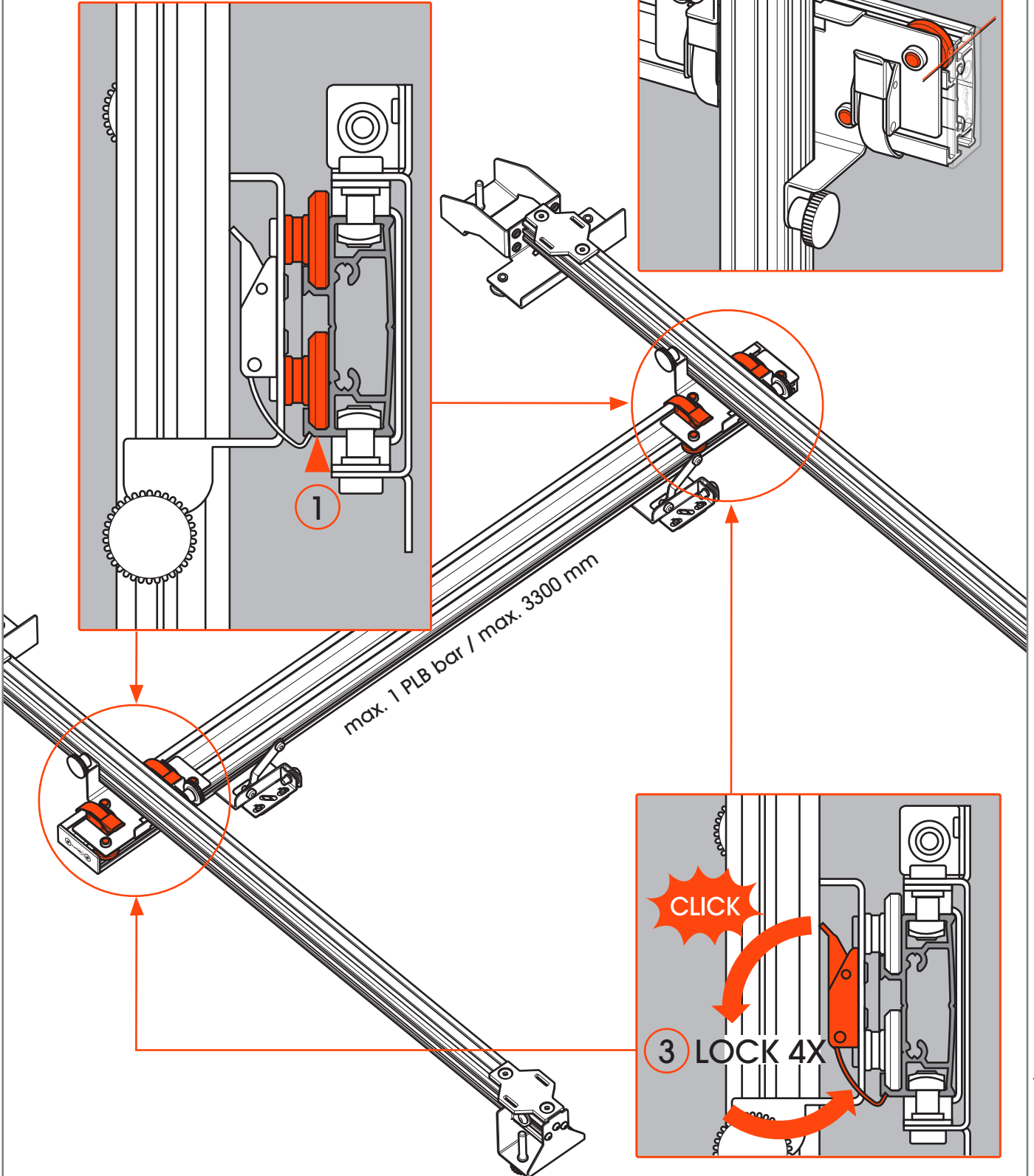
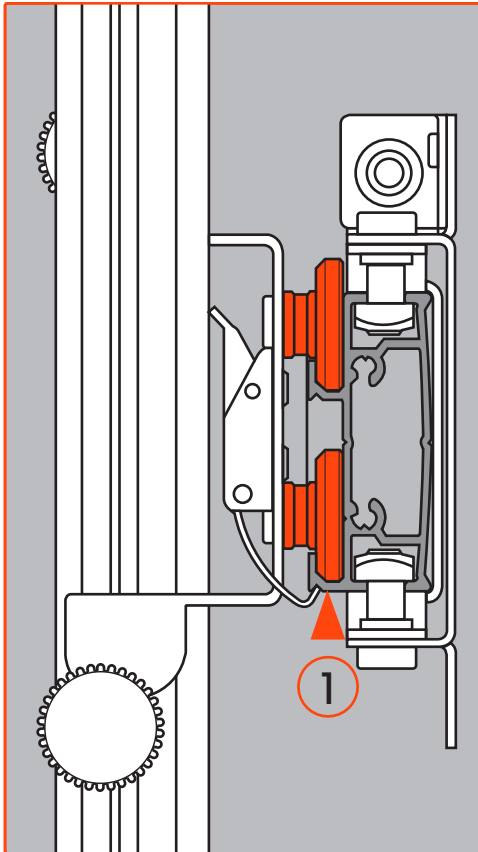
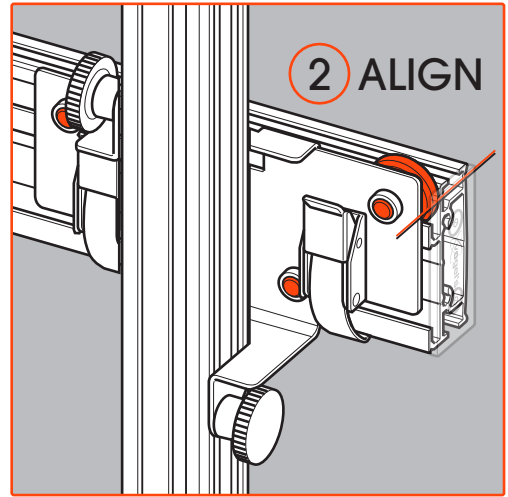


MEASURE EXACTLY



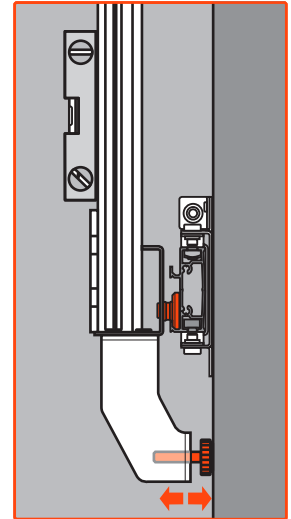
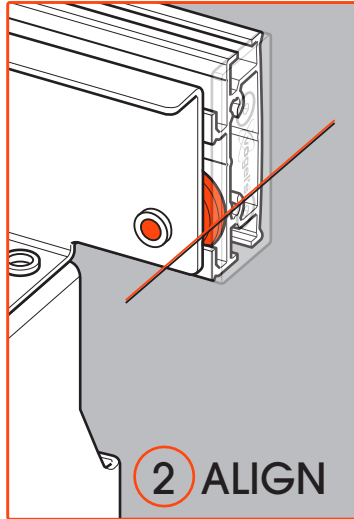
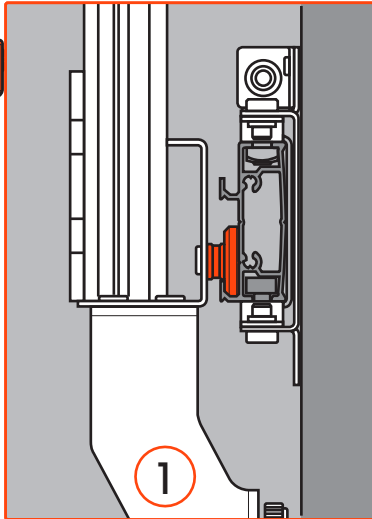
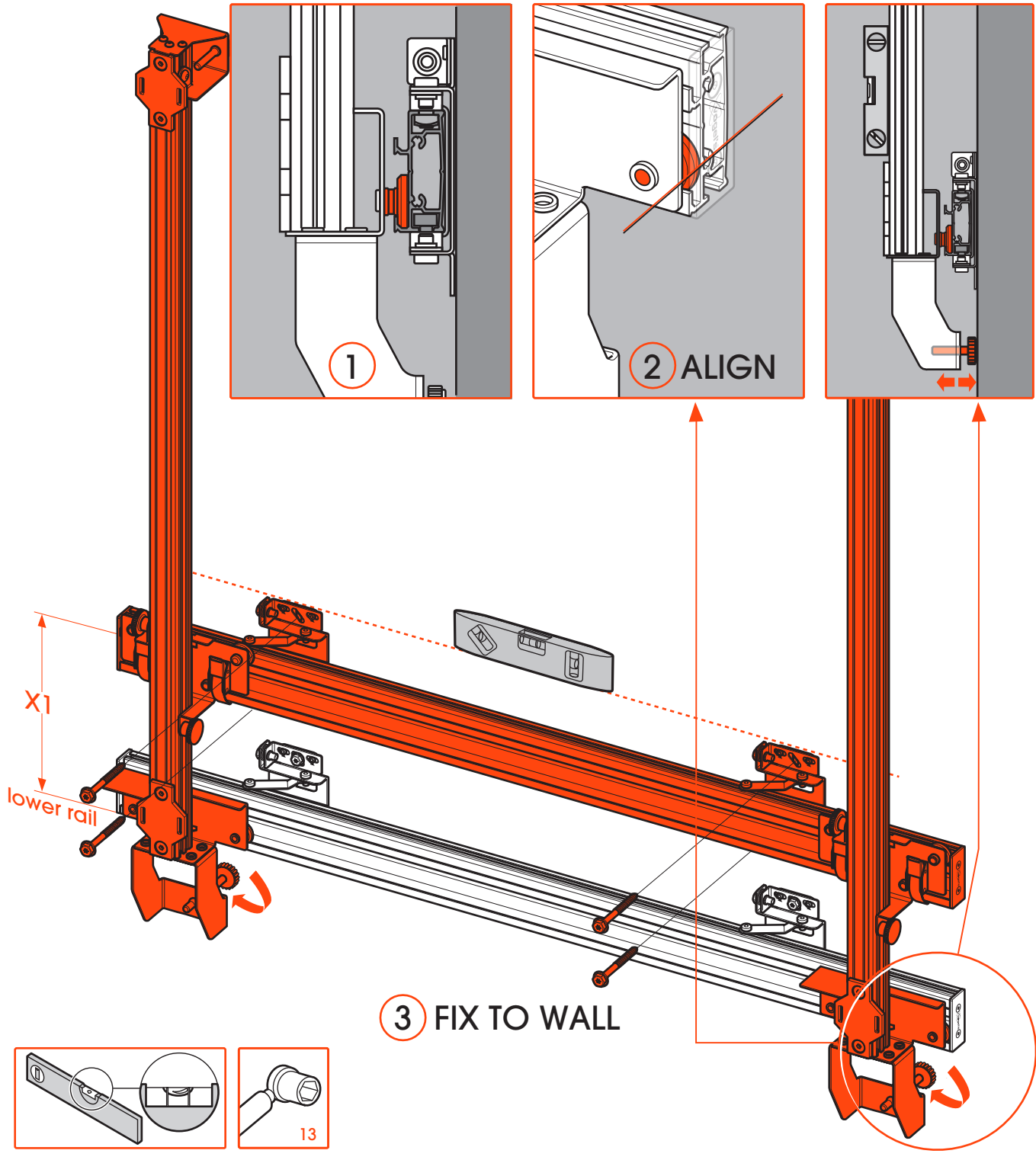
3e INSTALL SECOND BAR USING SPACERS (STEP-2)

place the spacers in the two rails of the bar

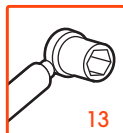
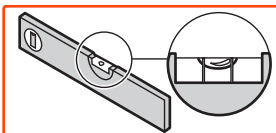


3f INSTALL SECOND BAR USING SPACERS (STEP-3)

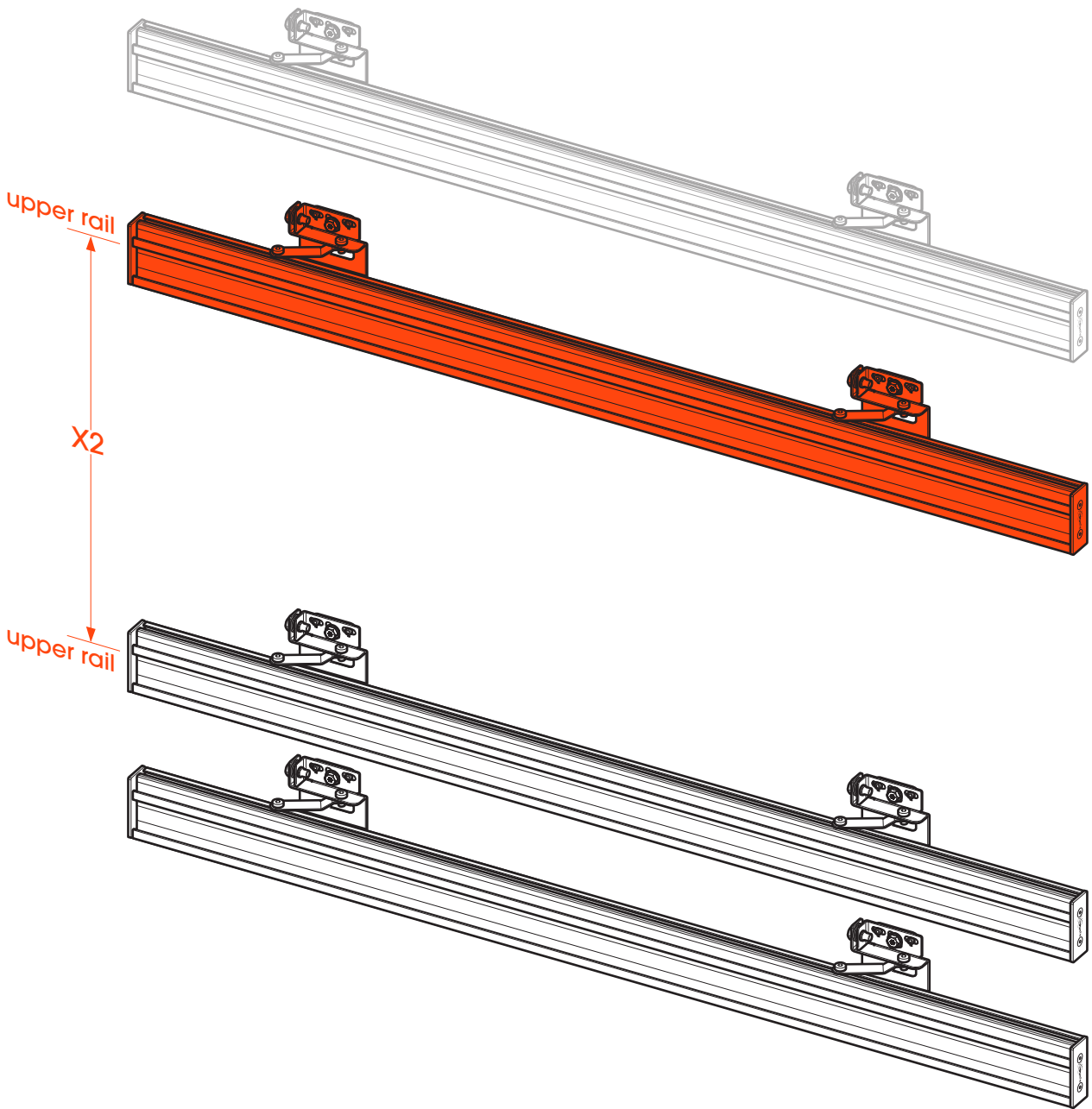
place spacers (+ second bar) in lower rail of the first bar and mount second bar



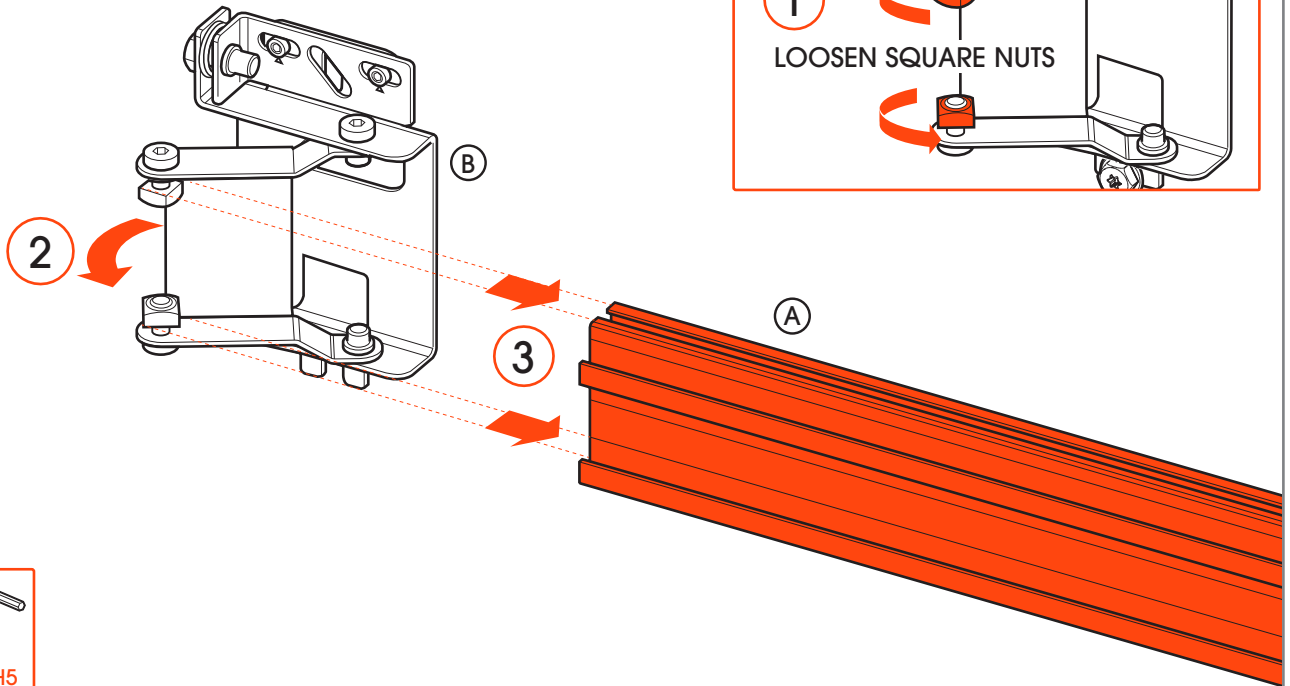
3 FIX TO WALL



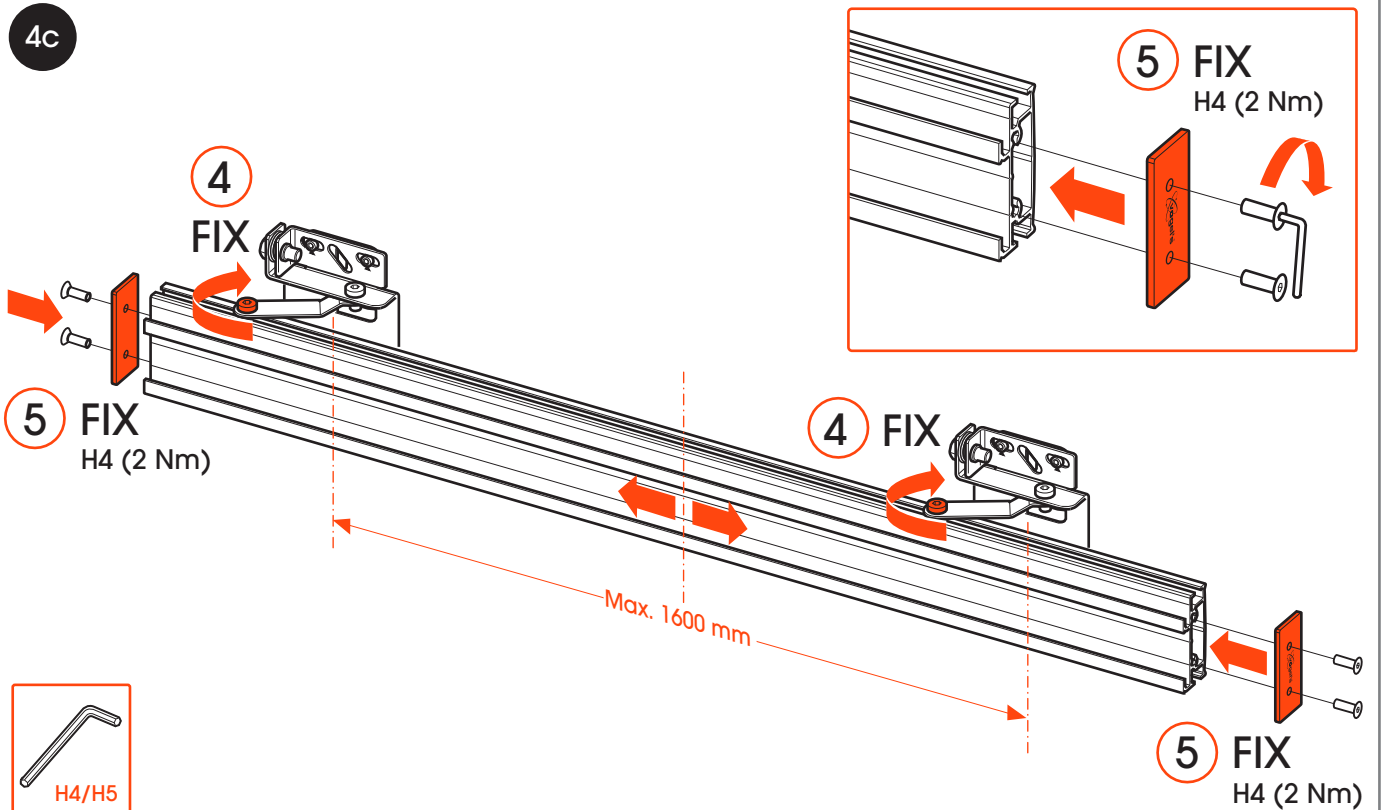
4a INSTALL THIRD + BARS



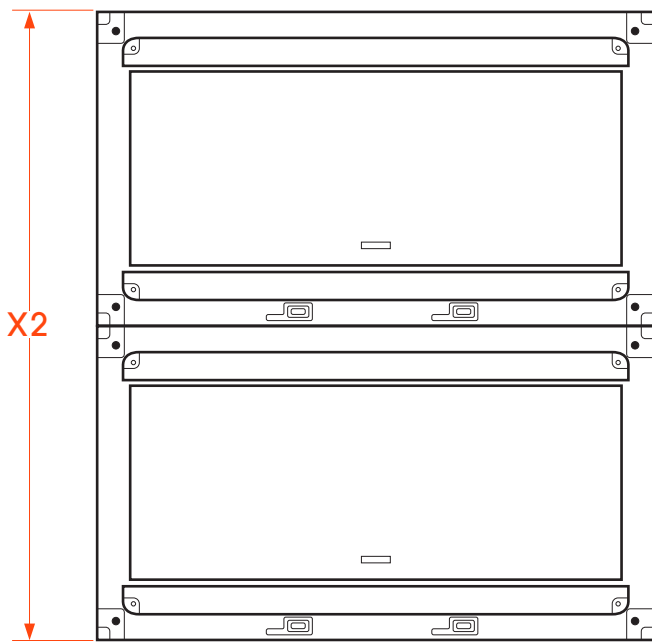
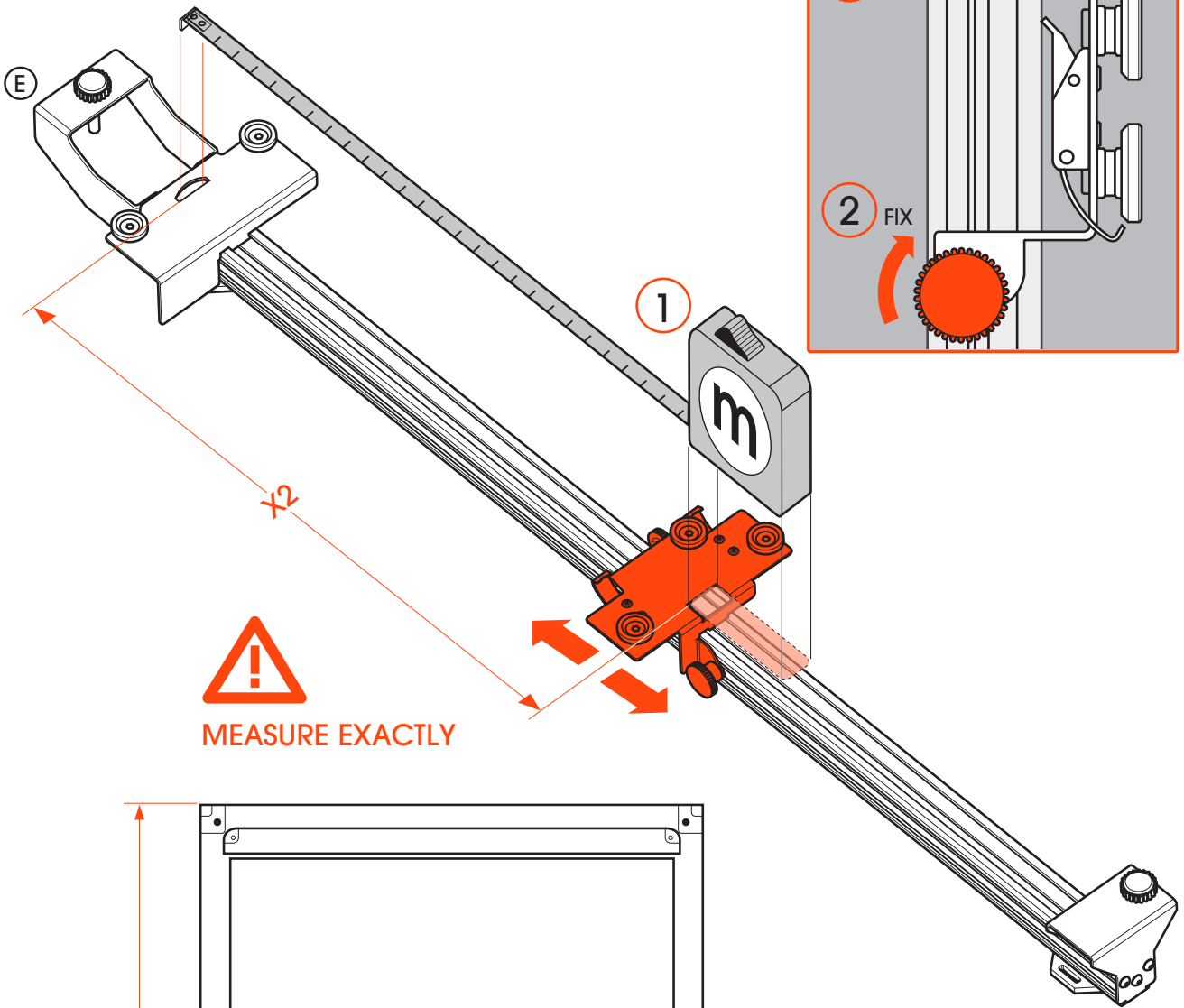
4b SLIDE BRACKETS ONTO THE BAR



4c

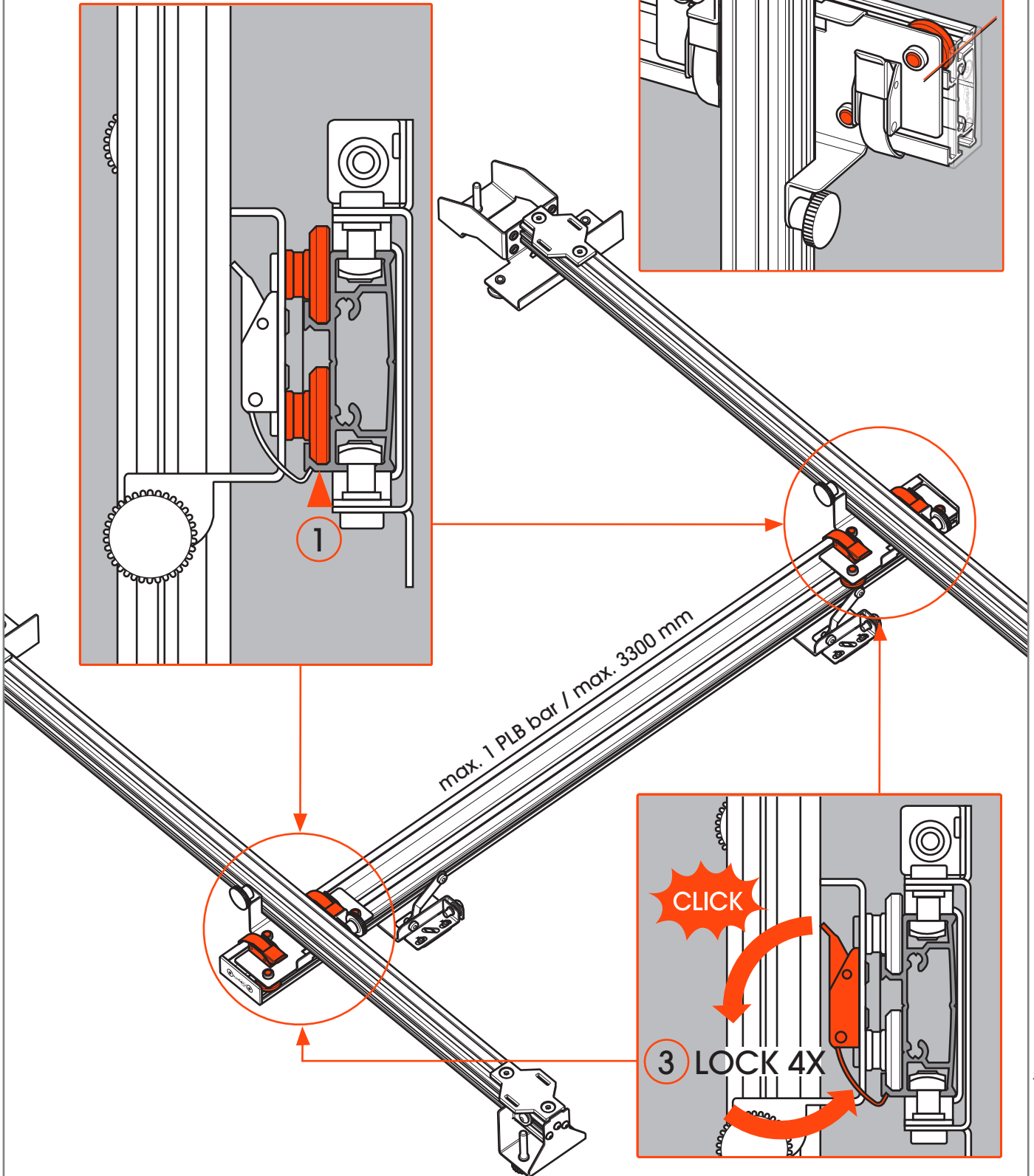


4d INSTALL THIRD + BARS USING SPACERS (STEP-1)
 set distance X2 of the spacers
 check project drawing (supplied by Vogels)



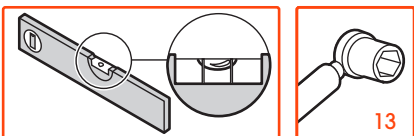
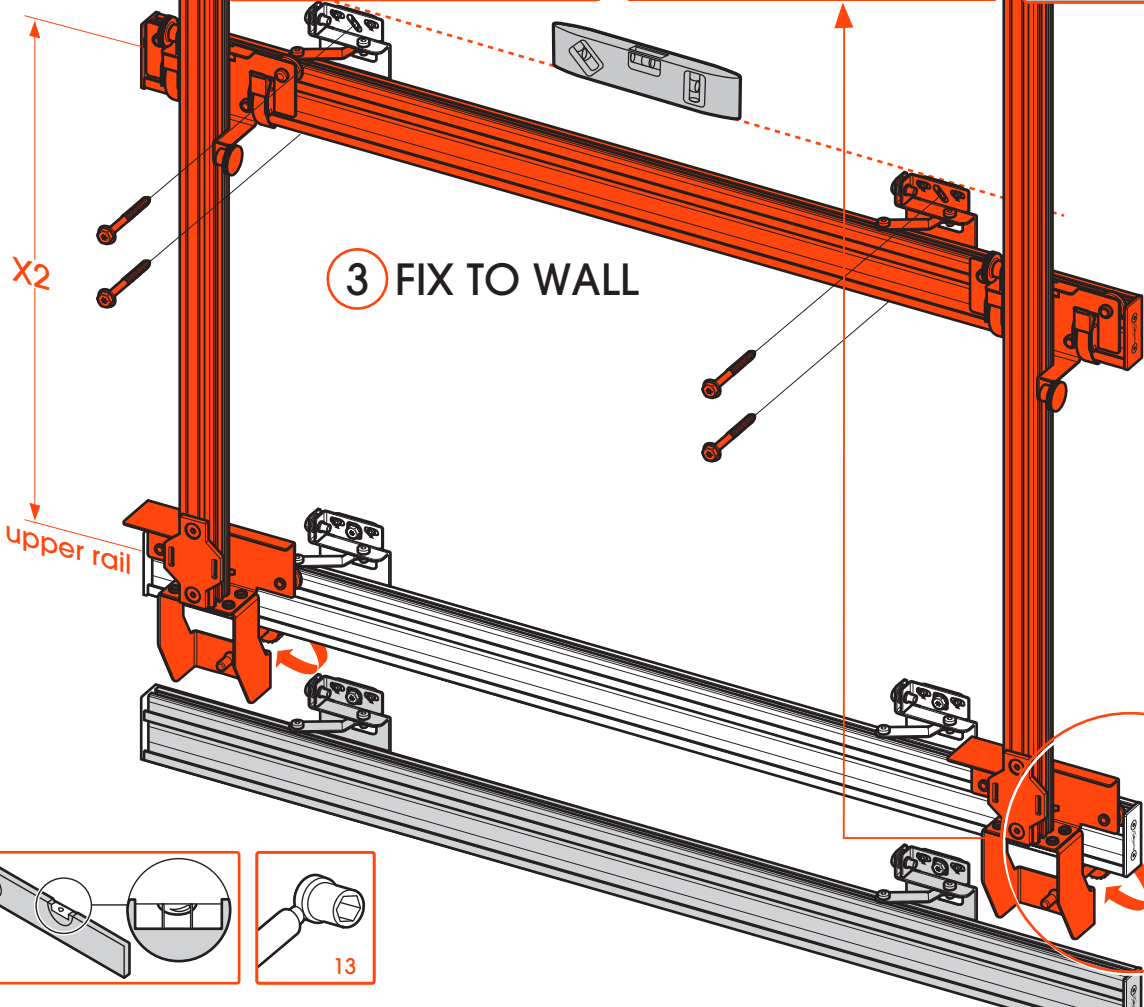
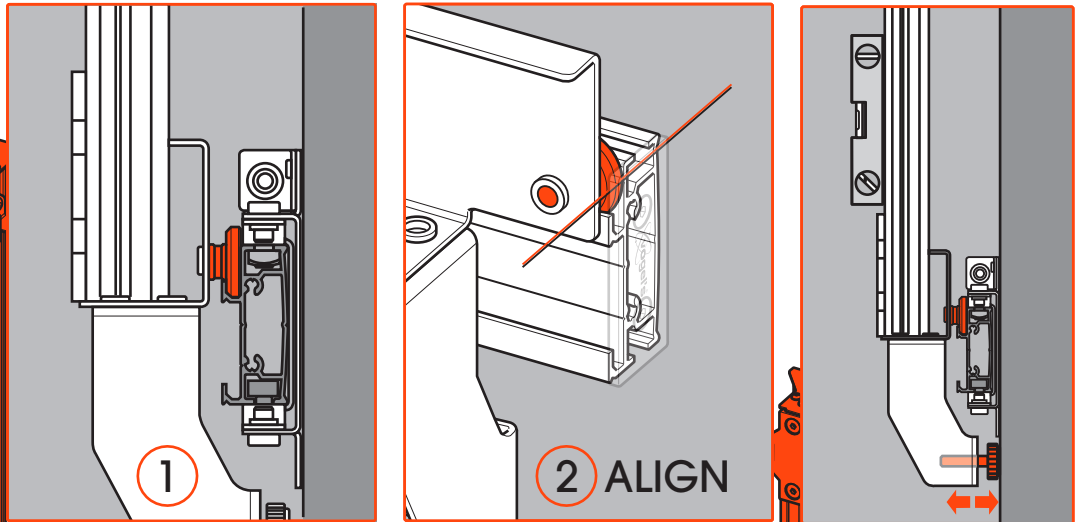
4e INSTALL THIRD + BARS USING SPACERS (STEP-2)

place spacers in the two rails of the bar

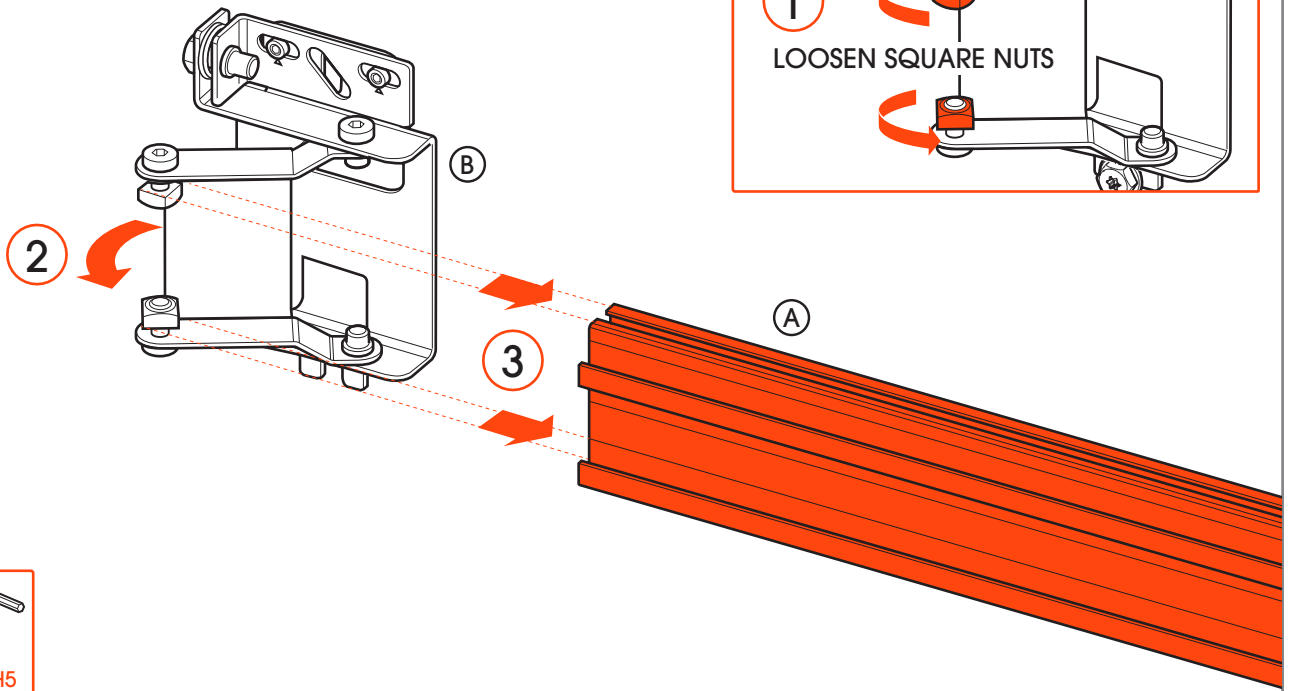


4f INSTALL THIRD + BARS USING SPACERS (STEP-3)

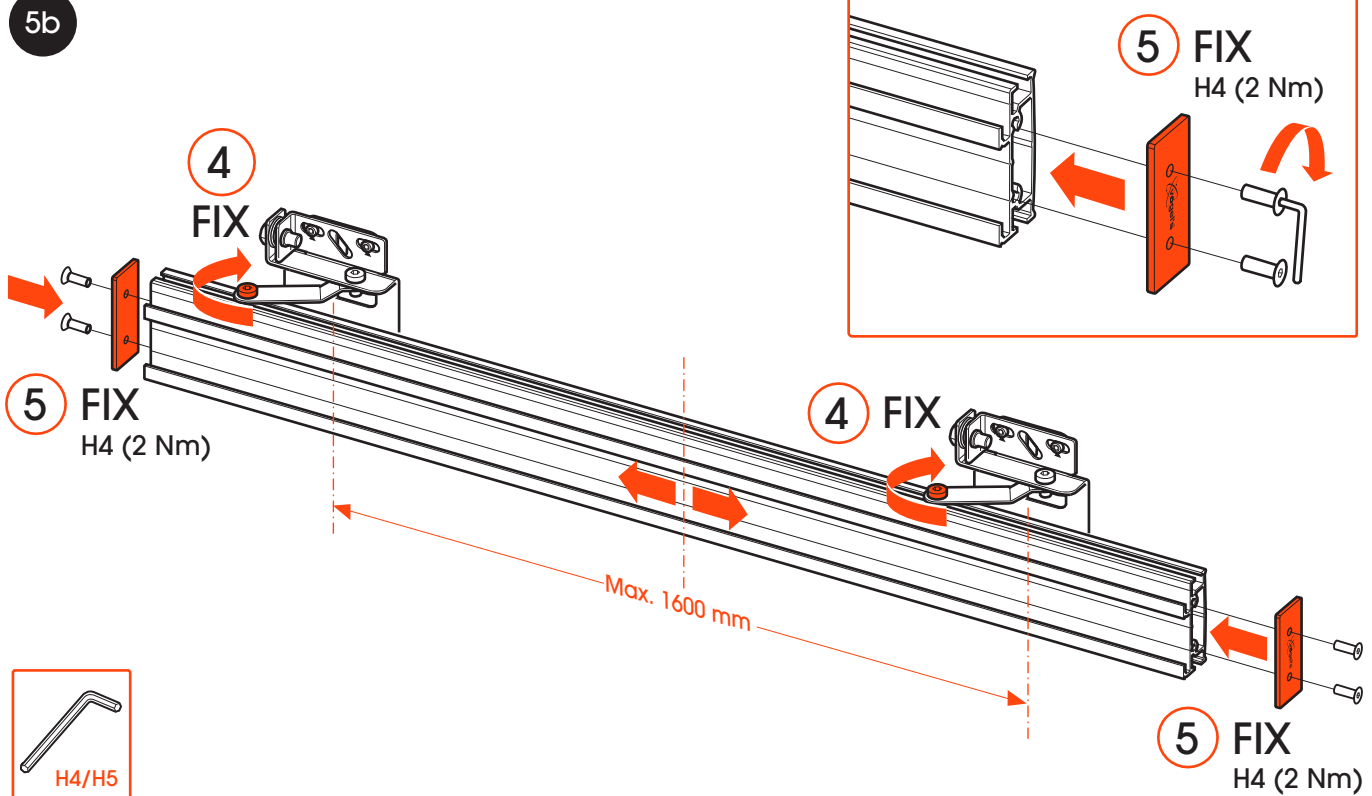
Place spacers with the bar to be mounted in the upper rail of the last mounted bar



5a SLIDE BRACKETS ONTO THE BAR

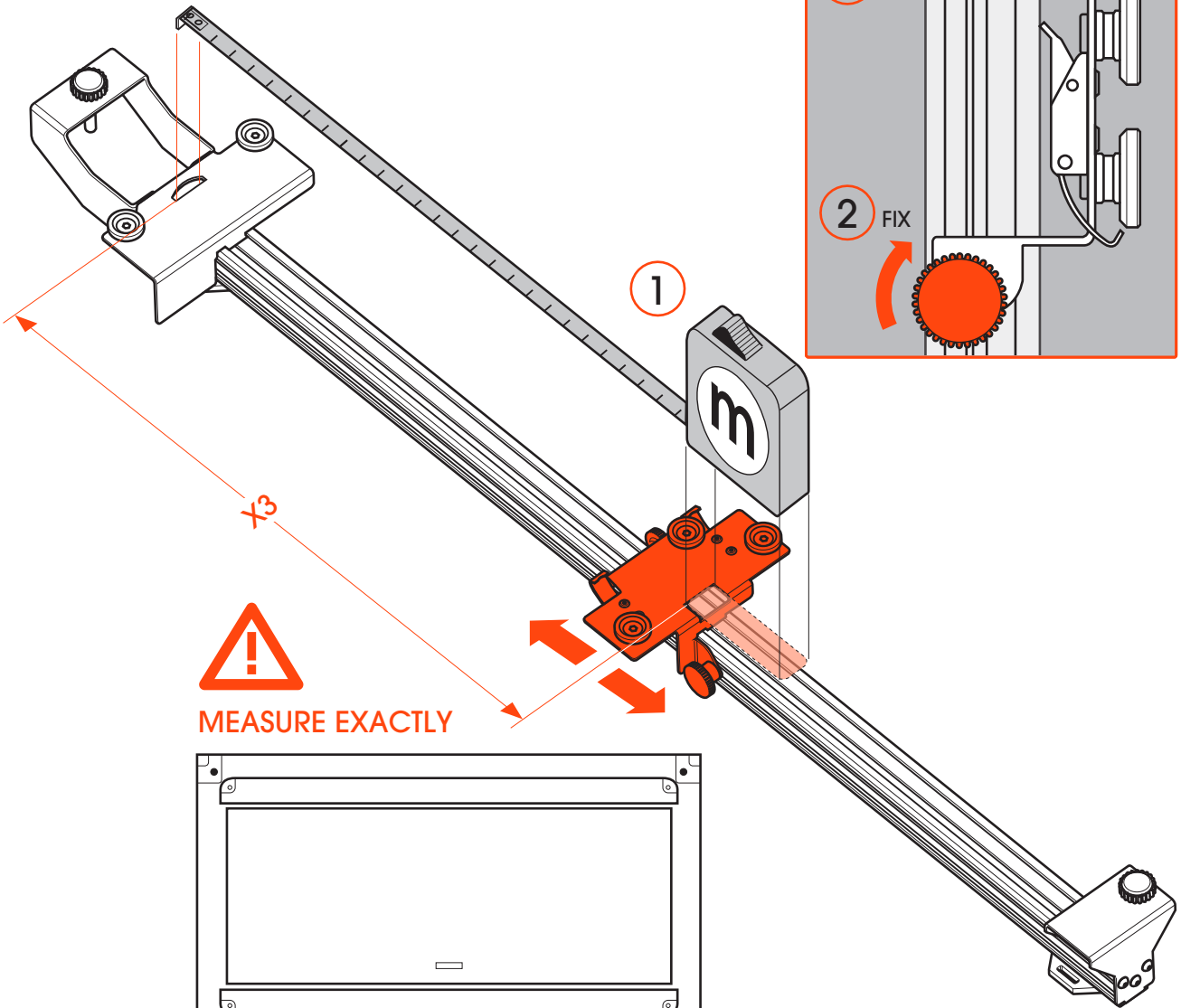
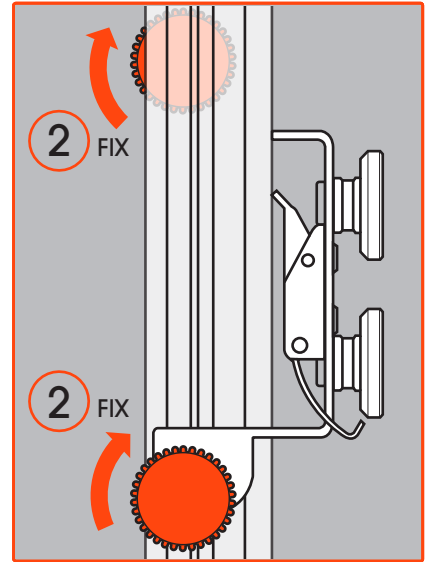


5b

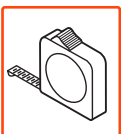
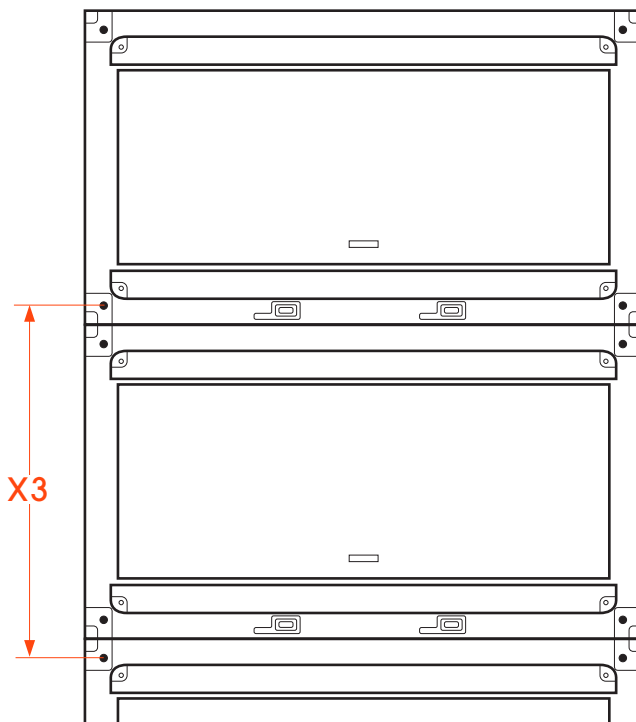


5c INSTALL TOP BAR USING SPACERS (STEP-1)

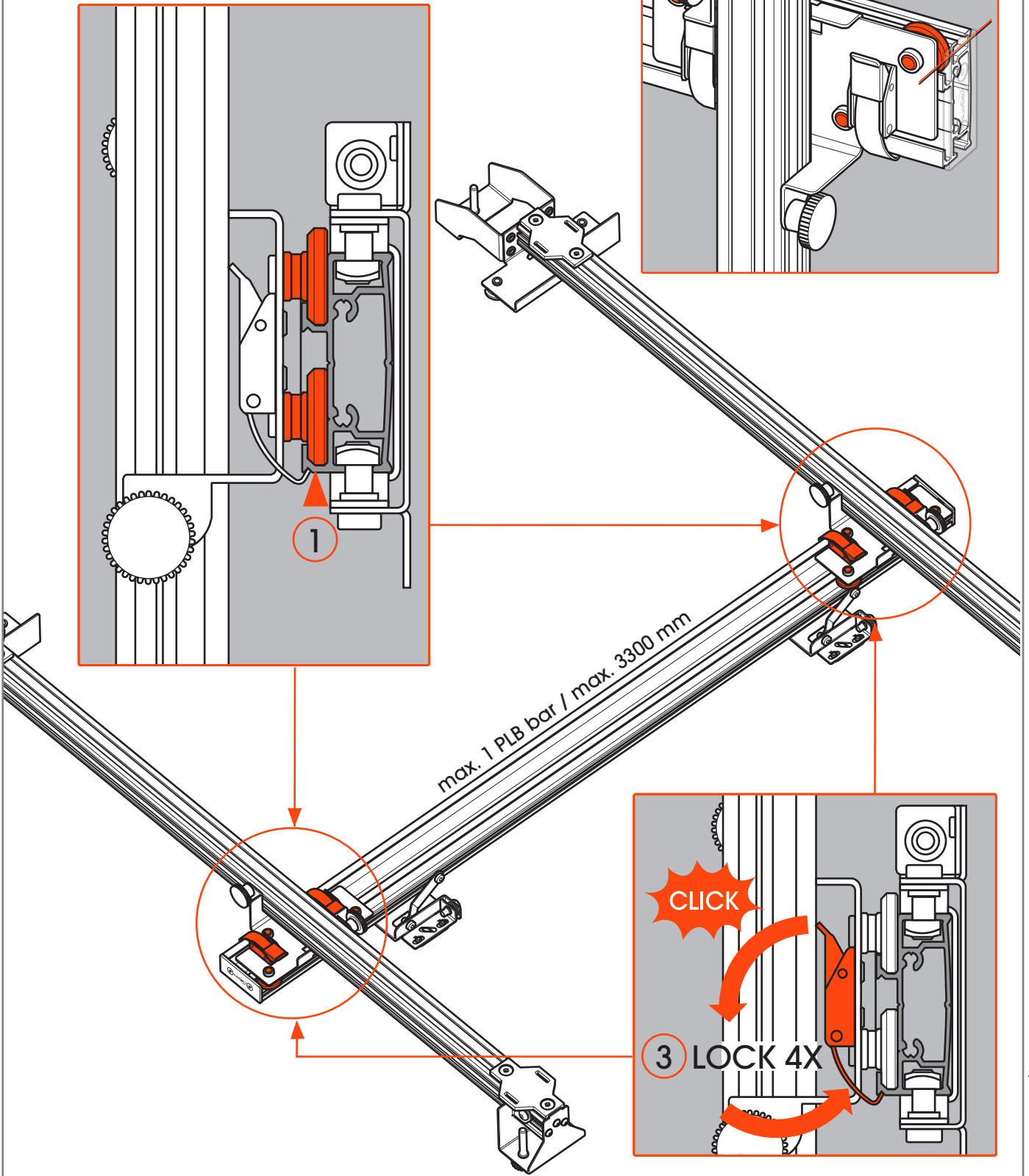
set distance X3 of the spacers
check project drawing (supplied by Vogel's)



MEASURE EXACTLY

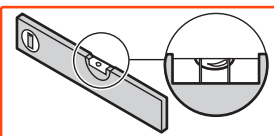
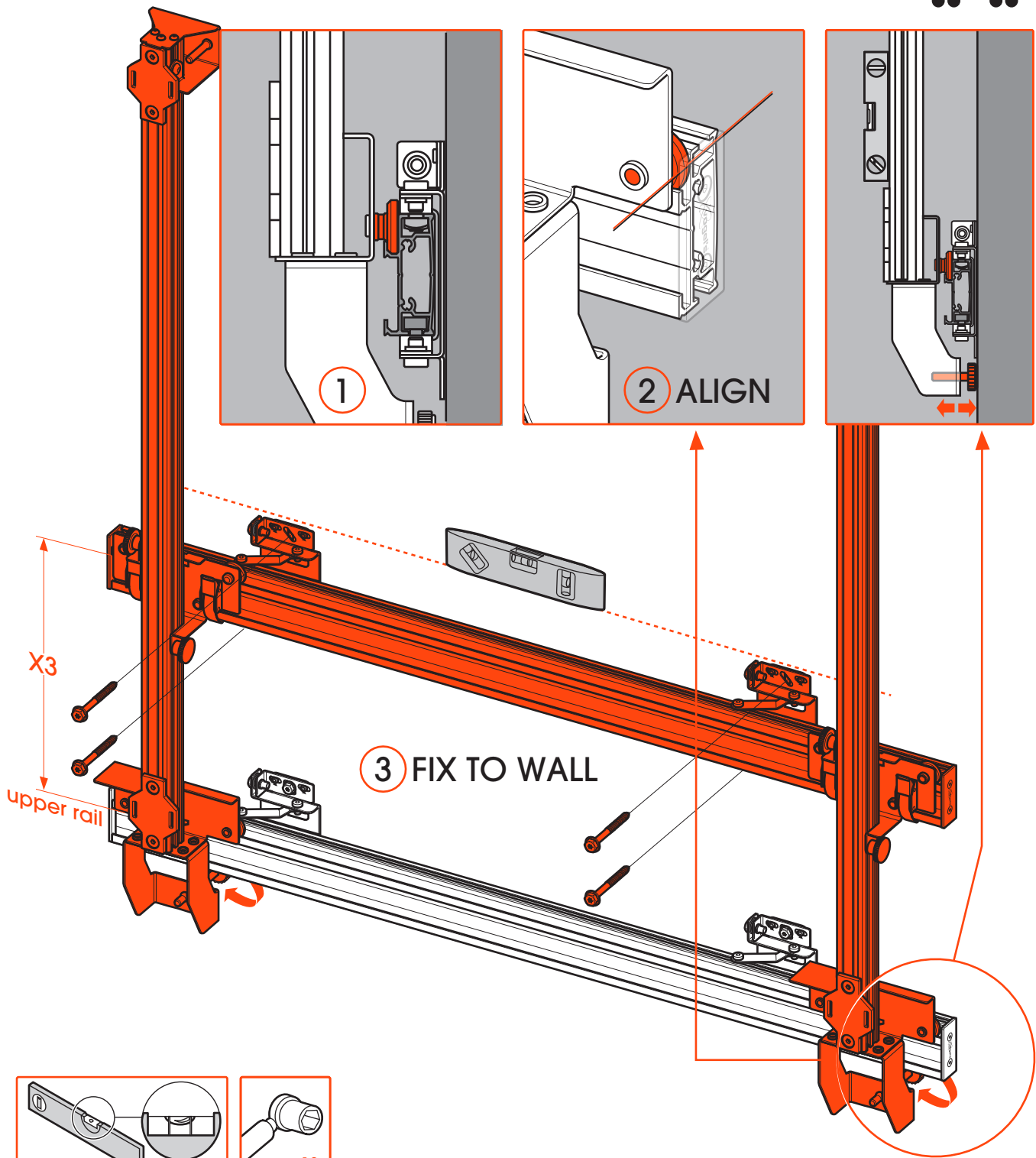
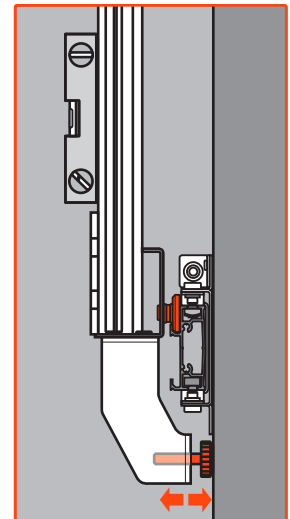
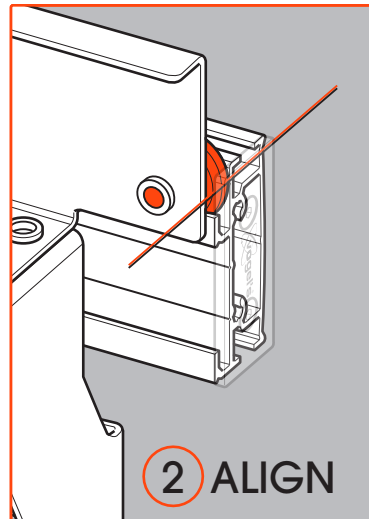
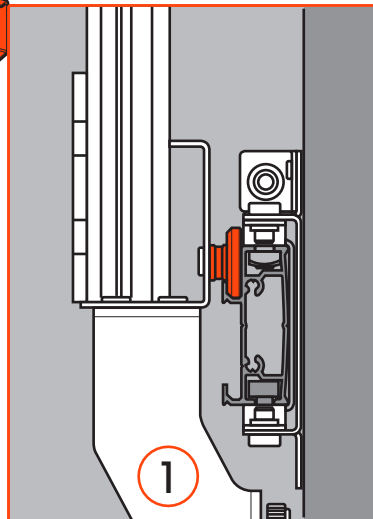


5d INSTALL TOP BAR USING SPACERS (STEP-2)
 place the spacers in the two rails of the bar



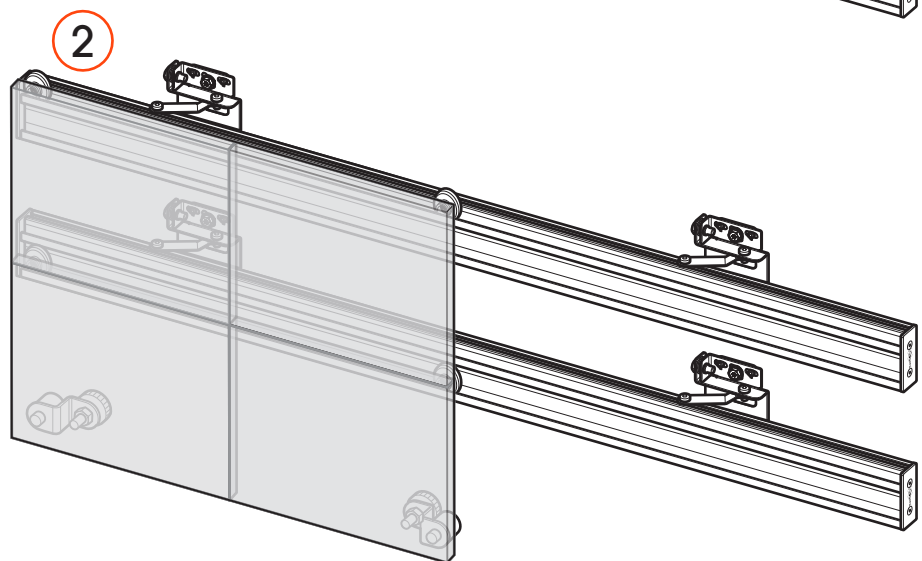
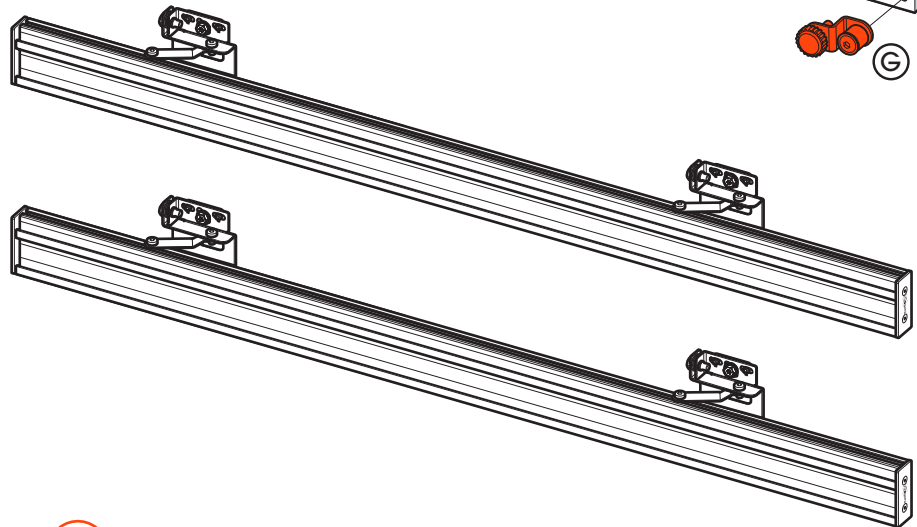
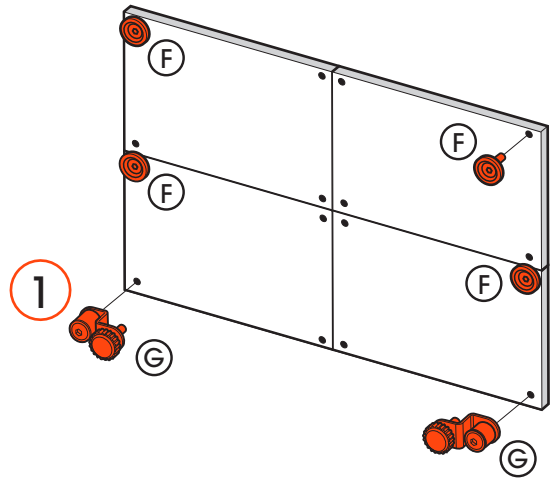
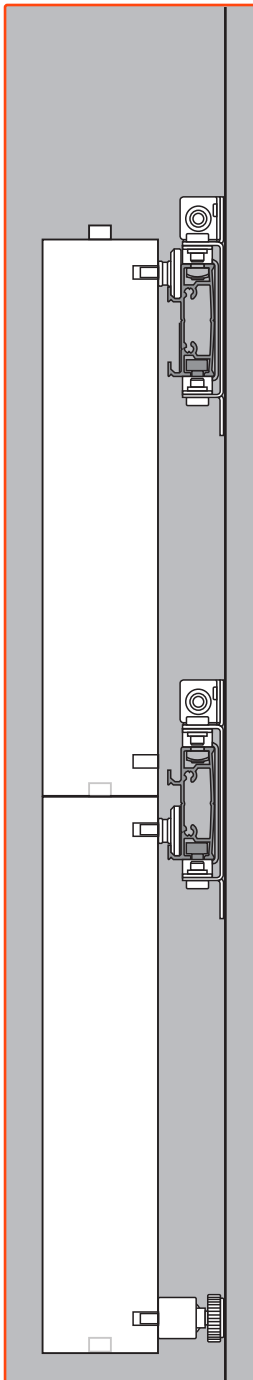
5e INSTALL TOP BAR USING SPACERS (STEP-3)

Place the spacers with the bar to be mounted in the upper rail of the last mounted bar



6a INSTALL CABINETS (STEP-1)

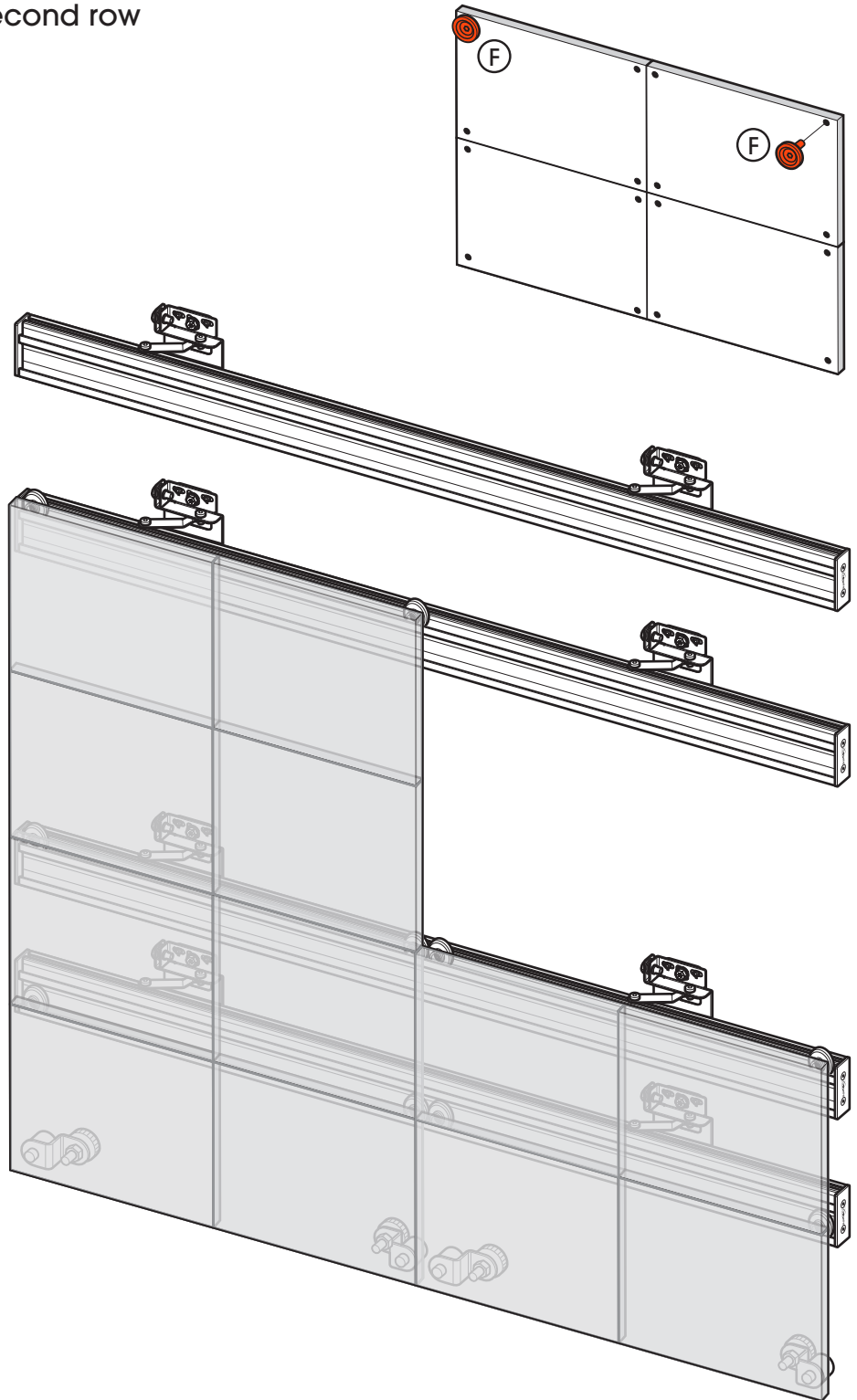
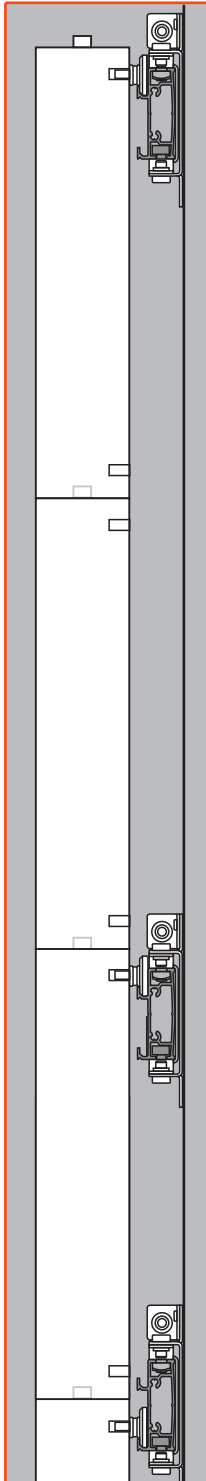
first connect 4 cabinets (2x2)* and hang them left in the lower two bars



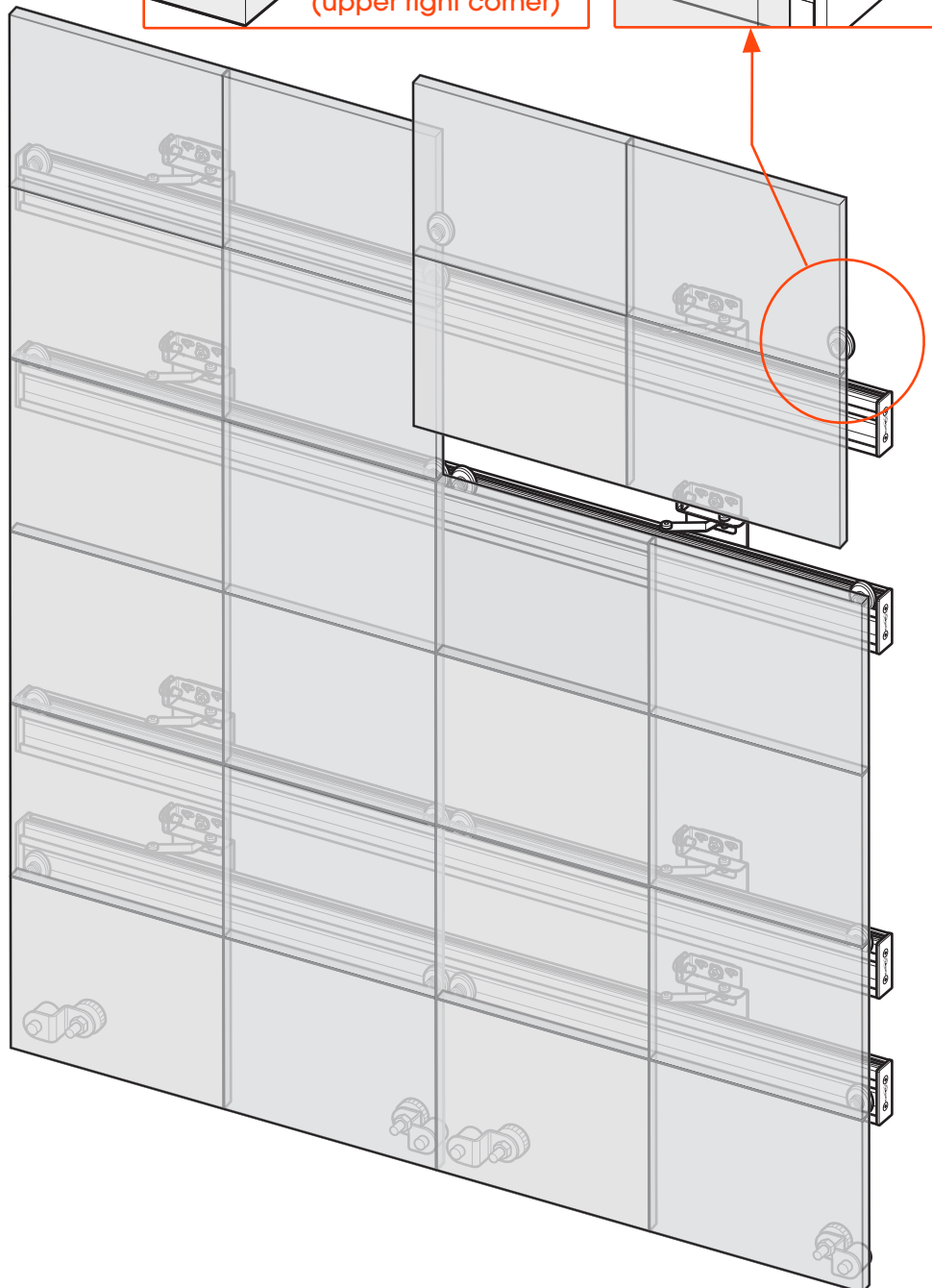
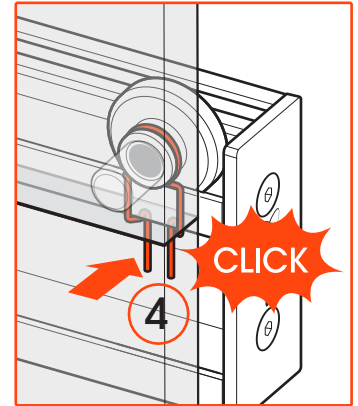
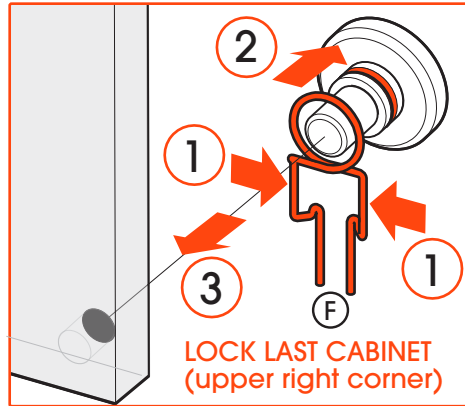
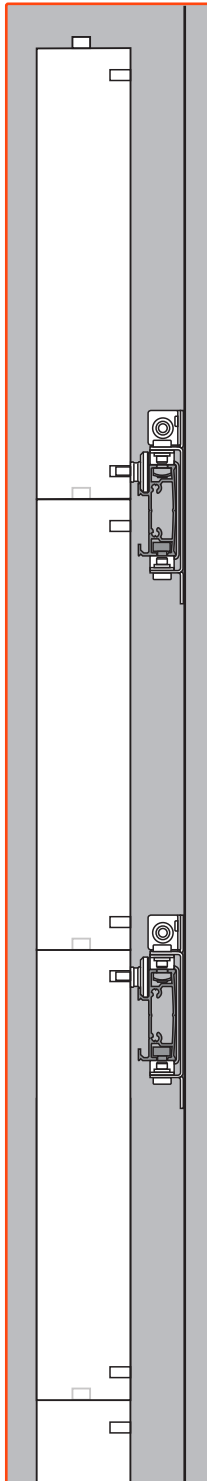
*Connect dvLED cabinets according to dvLED brand description

6b INSTALL CABINETS (STEP-2)

after installing the first row of cabinets
start hanging the second row



6c **INSTALL CABINETS (STEP-3)**
top row



Vogel's Products BV

HONDSRUGLAAN 93,
5628 DB EINDHOVEN,
THE NETHERLANDS

T +31 (0)40 264 74 00

E info@vogels.com

W www.vogels.com

- (GB) Subject to printing errors and technical amendments.
(NL) Drukfouten en technische wijzigingen voorbehouden.
(F) Sous réserve de fautes d'impression et de modifications techniques.
(D) Für Druckfehler übernehmen wir keine Verantwortung. Technische Änderungen vorbehalten.
(E) Reservados errores de imprenta y sujeta a modificaciones.
(I) Con riserva di modifiche tecniche e di eventuali errori di stampa.
(P) Reserva-se a ocorrência de galhas e de modificações técnicas.
(H) Nyomdahibák és technikai változtatások joga fenntartva.
(PL) Zastrzega się możliwość występowania błędów drukarskich i zmian technicznych.
(RUS) Возможны ошибки при печати и технические модификации.

Designed and engineered in the Netherlands. More information on: www.vogels.com

VOGEL'S PRODUCTS BV, HONDSRUGLAAN 93, 5628 DB EINDHOVEN, THE NETHERLANDS