

# 8x4 Multi-Input Matrix

MX-0804-EDC



## Quickstart Guide

WyreStorm recommends reading through this document in its entirety to become familiar with the product's features prior to starting the installation process. For other language versions of this document, check [wyrestorm.com](http://wyrestorm.com).

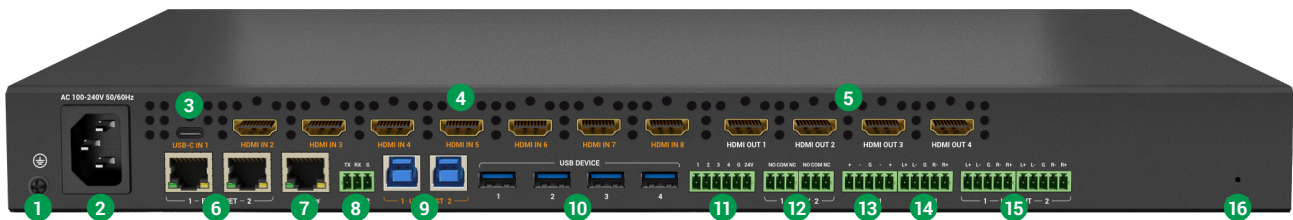


**DOCUMENTATION**  
To access all documentation including full manuals, scan the QR code.

### Key Features

- Multi-format video connections include USB-C and HDMI
- Fast up to 1 second switching across all video inputs and outputs
- 480p to 2160p scaling built-in all video outputs
- USB-C input supports 4K60 video, USB3.0/USB2.0, 1G network, and PD3.0 USB host charging up to 60watts
- Supports USB host switching and device extension
- Switching USB hosts include 1x USB-C port, 2x local USB3.0 USB-B ports input related USB connection.
- USB devices include 4x local USB3.0 USB-A ports related USB connections
- Supports 2x MIC inputs, 1x LINE input, Dante 4x4 optional and 2x 5-pin balanced audio outputs
- Supports audio DSP, include gain control, mixer, ducking, mute etc
- 4-channel 4/8ohm speaker outputs
- GPIO and Relay support for automation of screens, occupancy etc;

### Port Descriptions

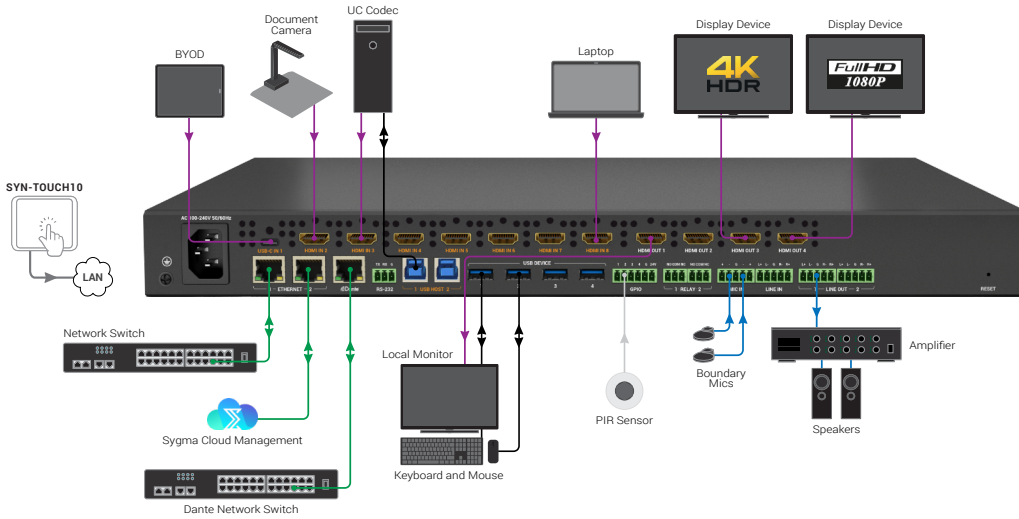


Number	Port Name	Description
1	Grounding Screw	Shields the matrix from EMI/RFI and static discharge
2	Power Socket	AC 100-240V socket
3	USB-C Input	Supports 4K60 video, USB 3.0 host and 60watt charging
4	HDMI Inputs	HDMI 2.0, HDCP 2.3, auto switching, first-in last-out,
5	HDMI Outputs	Full scaler
6	Ethernet Ports	TCP/IP control and cloud monitoring
7	Dante Output	Dante Ultimo 4x4
8	RS-232 Control	RS-232 switcher control via control system

9	USB Host	USB 3.0. supports host switching
10	USB Device	USB 3.0 Connect cameras, mice, keyboards, Flash memory. Which ever host is selected will access these ports
11	GPIO	Occupancy sensor
12	Relays	x2 relay, shades, screens etc
13	Microphone Input	Phantom power, noise filtering, gain adjustment
14	Line Input	Gain adjustment, noise filtering, true differential signal
15	Line Out	Volume control, noise cancellation
16	Reset Pin Hole	Factory defaults matrix settings

# Wiring Diagram

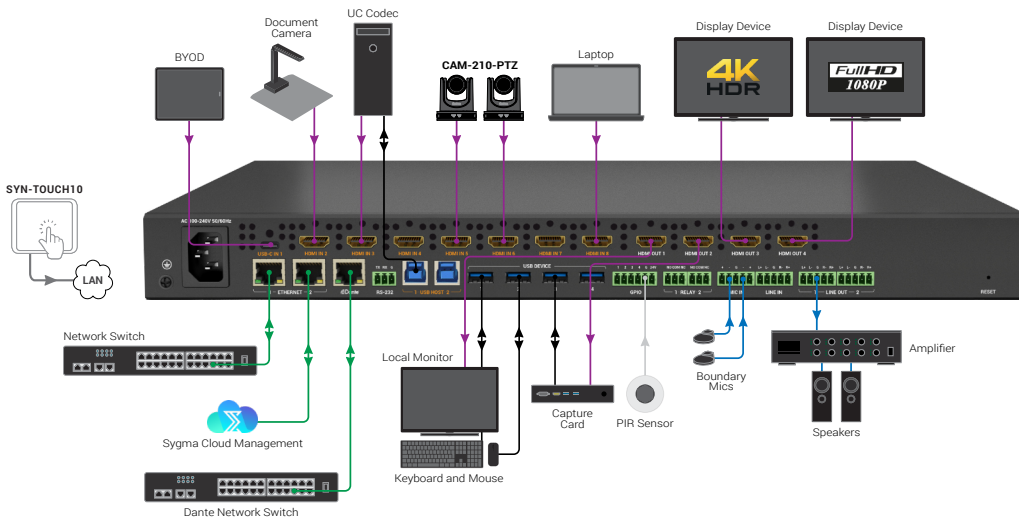
## Local Presentation



- KEY**
- HDMI/USB-C
  - Ethernet
  - Control
  - Analog Audio
  - USB

# Wiring Diagram

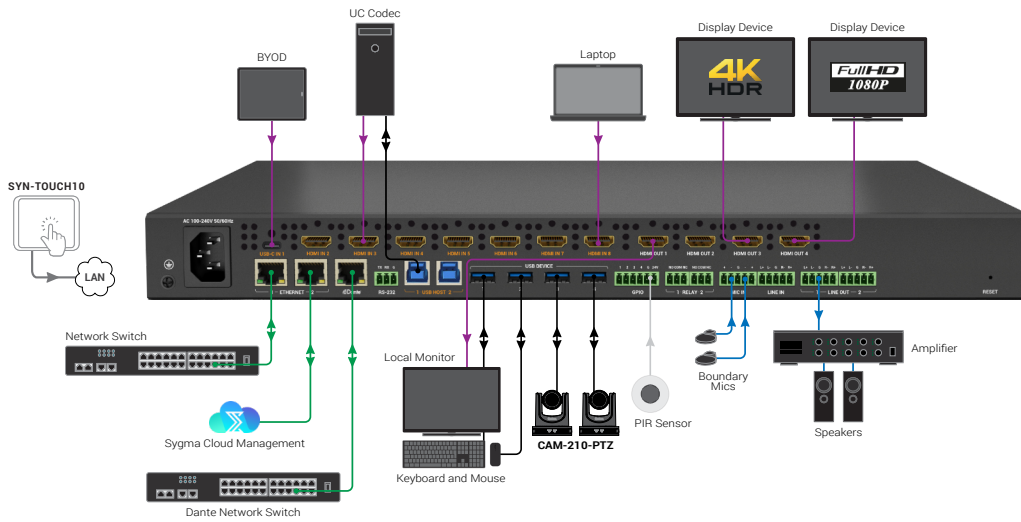
## Large Lecture Hall



- KEY**
- HDMI/USB-C
  - Ethernet
  - Control
  - Analog Audio
  - USB

# Wiring Diagram

## Corporate Unified Communications



### KEY

- HDMI/USB-C
- Ethernet
- Control
- Analog Audio
- USB

Audio and Video	
<b>Inputs</b>	1x USB-C In with Alt-Mode 7x HDMI In: 19-pin type A 2x USB-B Host
<b>Outputs</b>	4x HDMI Out: 19-pin type A 4x USB-A Device 4x GPIO Phoenix Port 2x Relay Phoenix Port
<b>Output Video Encoding</b>	HDMI
<b>Encoding Data Rate</b>	18Gbps
<b>Audio Formats</b>	PCM 2ch Analog
<b>Video Resolution (Max)</b>	1920x1080p @60Hz 3840x2160p @60Hz 4:2:0 4096x2160 @60Hz 4:4:4
<b>Maximum Pixel Clock</b>	HDMI: 600MHz
Communication and Control	
<b>HDMI</b>	HDMI 2.0   HDCP 2.2   EDID
<b>Dante Ultimo 2x2</b>	1x 1GbE RJ-45
<b>RS-232</b>	1x RS-232: 3-pin Phoenix Female   Matrix Control Routable RS-232 Device Control   Telnet commands supported (TCP to RS-232 translation only)
<b>Ethernet</b>	2x LAN: 8-pin RJ-45 Female   Web UI   Matrix Control and Ethernet
Power	
<b>Power Supply</b>	100~240V AC 50/60Hz
<b>Max Power Consumption</b>	
Environmental	
<b>Operating Temperature</b>	0 to + 45°C (32 to + 113 °F), 10% to 90%, non-condensing
<b>Storage Temperature</b>	-20 to +70°C (-4 to + 158 °F), 10% to 90%, non-condensing
<b>Maximum BTU</b>	
Dimensions and Weight	
<b>Rack Units/Wall Box</b>	1U
<b>Height</b>	43.5mm/1.72in
<b>Width</b>	440mm/17.33in
<b>Depth</b>	300mm/11.82in
<b>Weight</b>	
Regulatory	
<b>Supported Standards</b>	DCI (4096x2160)   RGB   HDR   HDR10   Dolby Vision   HLG   BT.2020

### Warranty Information

WyreStorm Technologies warrants that its products to be free from defects in material and workmanship under normal use for a period of five (5) years from the date of purchase. Refer to the Product Warranty page on [wyrestorm.com](https://www.wyrestorm.com) for more details on our limited product warranty.

