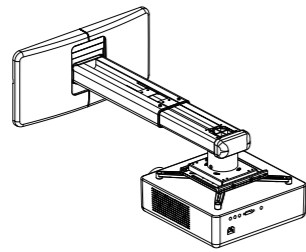


## PJ-WMK-304 Quick Start Guide



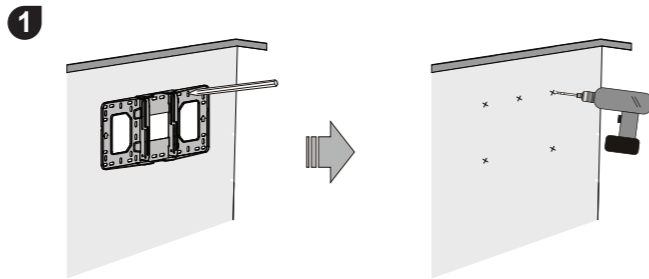
### Important Safety Information

1. Please read this manual carefully and follow all safety rules before installation.
  2. For safety reasons, please make sure the wall is strong enough to sustain the weight of the projector & wall mount.
  3. The total maximum weight of all items mounted should NEVER exceed the weight capacity: 55 lbs (25kg).
  4. DO NOT attempt to alter or modify any part of the wall mount or its attachments.
  5. Do not install the projector wall mount on a structure that is prone to vibration, movement or chance of impact.
  6. To avoid risk of fire, do not install the projector with the projector wall mount in a humid or excessively dusty place.
  7. Use the supplied accessories only. Use of accessories other than those supplied may result in damage to the projector and/or projector wall mount.
  8. Unplug the AC power cord and any other connected cables before dismantling the projector from the projector wall mount.
  9. Do not hit or hang any heavy objects on the projector wall mount. If the projector wall mount is damaged, stop using immediately and contact a qualified service personnel immediately.
  10. Only install the projector wall mount horizontally on the level surfaces.
- \* The manufacturer is not liable for any damages or injury caused by mishandling or improper installation.
11. The projector or wall mount may fall and cause personal injury. Ensure screws are tightened to the proper torque after installation and any adjustments. Do not overtighten screws as this may cause screw deformation.
  12. This wall mount kit ONLY supports ViewSonic® projectors and models that are designated by ViewSonic. Use with non-ViewSonic branded projectors or exceeding the weight capacity is neither supported nor recommended, may cause property damage or personal injury, and shall be at the sole risk of users/installers.

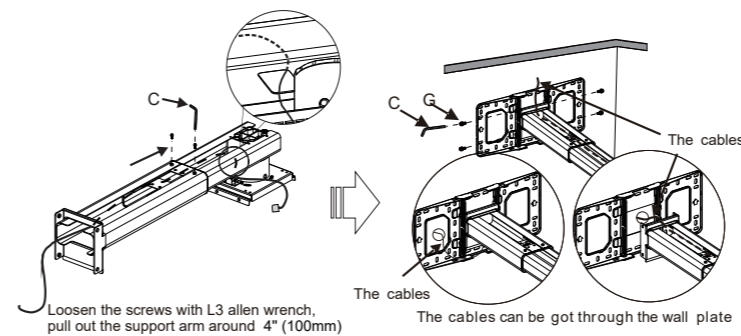
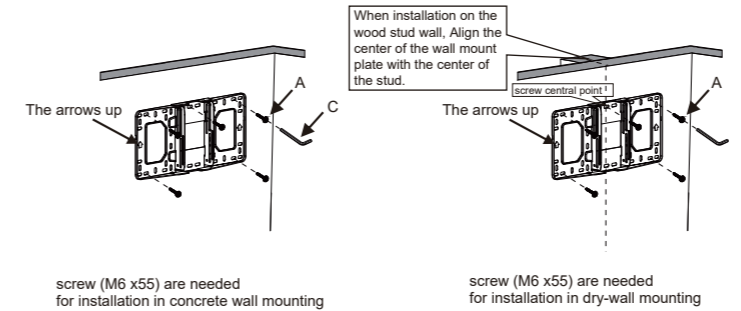
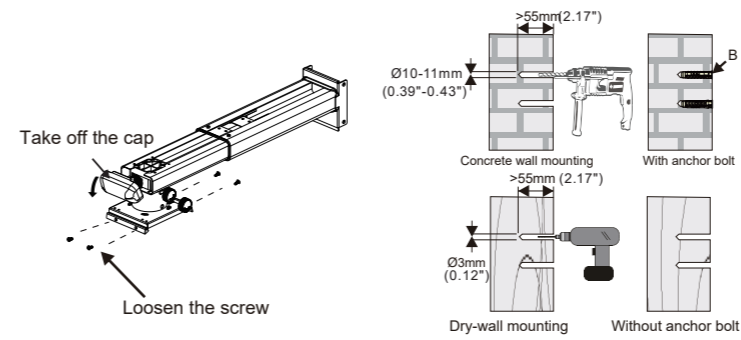
### Checking The Supplied Accessories

NO	diagrammatic presentation	designation	quantity
A		Screw (M6X55)	5
B		Φ10mm Anchor bolt	5
C		L5 Allen key	1
D		L3 Allen key	1
E		Screw (M4X10)	4
F		Screw (M5X12)	4
G		Screw (M6X15)	4
H		M5 nuts	4
I		M6 Connecting screws	4

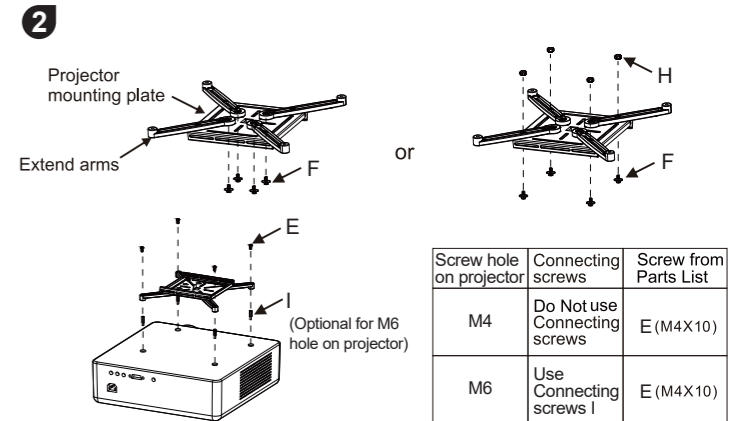
### Setting The Projector Wall Mount On The Wall



- The bracket is suitable for concrete wall mounting or wooden stud wall.
- Concrete wall mounting thickness must be a minimum 4" (100mm). Anchor bolt and screw (M6 × 55) are needed to be used for concrete wall installation.
- Dry-wall wall thickness must be a minimum 4.5" (114mm). Only screw (M6 × 55) is needed to be used for installation, and gypsum board thickness less than 0.59" (15mm).
- If the wall is not strong enough, reinforce it sufficiently before installation.
- Please contact reseller if you have any questions about mounting surface issue.

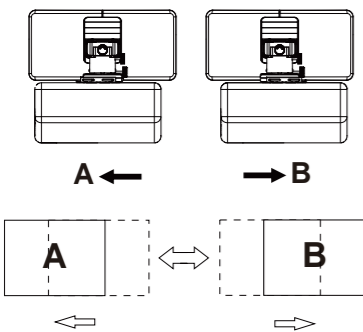
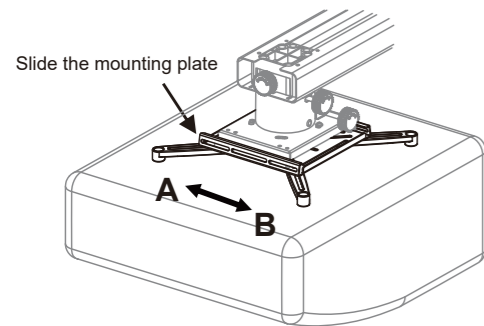


### Installing The Projector On The Projector Wall Mount

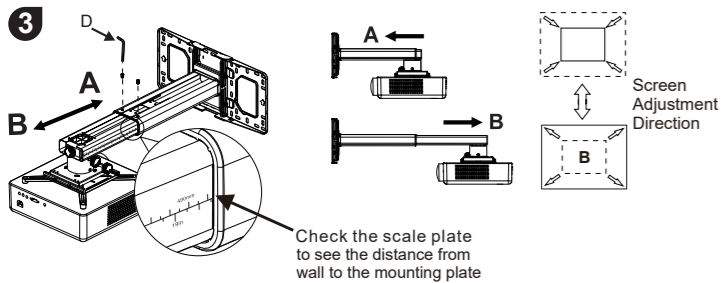


Screw hole on projector	Connecting screws	Screw from Parts List
M4	Do Not use Connecting screws	E (M4X10)
M6	Use Connecting screws I	E (M4X10)

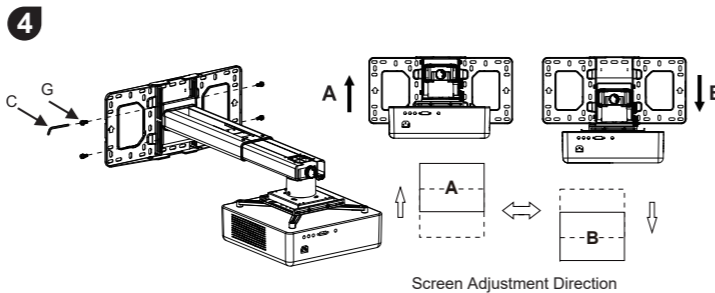
▲ Screw E & I Tightening torque: 8kgf-cm (≦ 12kgf-cm)



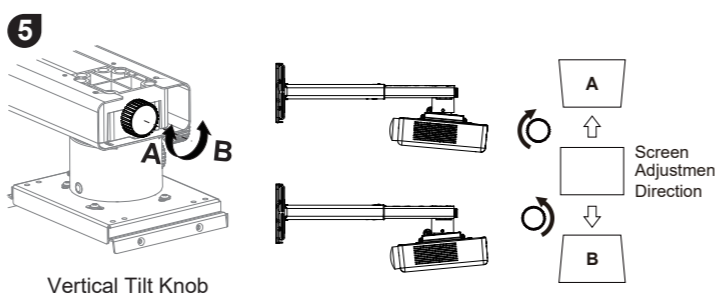
### Adjusting The Image Size



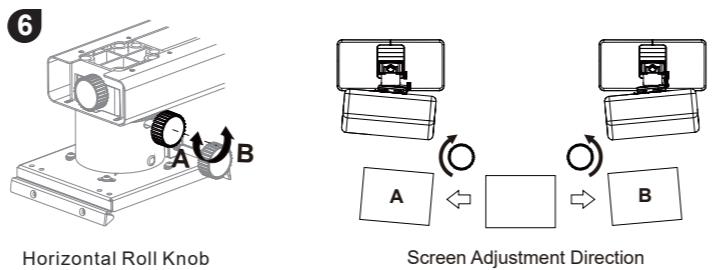
### Adjusting The Image Height



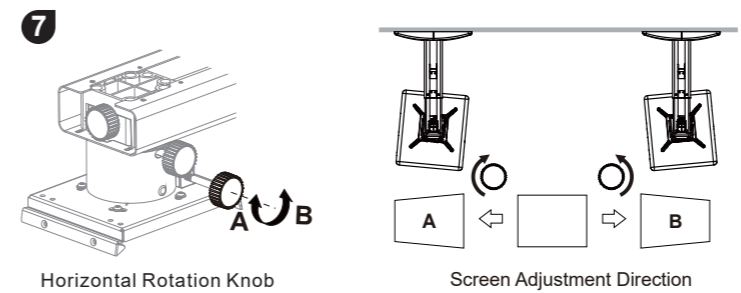
### Adjusting The Vertical Tilt



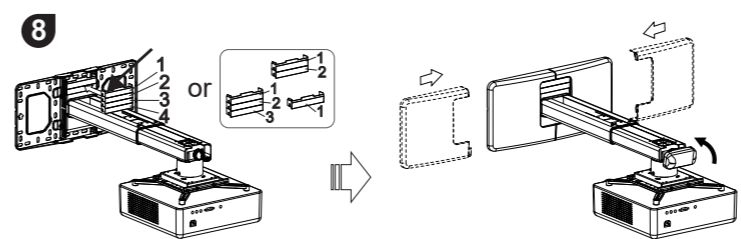
### Adjusting The Horizontal Roll



### Adjusting The Horizontal Rotation



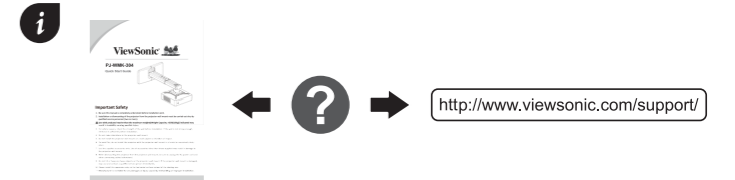
### Placing The Decorative Cover



Note: When all adjustments are completed, the wall plate covers can be used to cover the blank area on the top of wall plate. Finally, put the wall cover on.

### Product Information

Model	PJ-WMK-304
Net Weight	9.9 lb (4.5 kg)
Weight Capacity	55lb (25.0 kg)
Extendable Length	14.4"-25"(365-635mm)
Adjustment Angle	Vertical tilt, Horizontal roll, Horizontal rotation ±5°



<b>中国</b> <a href="http://www.viewsonic.com.cn">http://www.viewsonic.com.cn</a> 电话: 4008 988 188	<b>Europe</b> <a href="http://www.viewsoniceurope.com">http://www.viewsoniceurope.com</a> <a href="http://www.viewsoniceurope.com/uk/support/call-desk/">http://www.viewsoniceurope.com/uk/support/call-desk/</a>
<b>香港</b> <a href="http://www.hk.viewsonic.com">http://www.hk.viewsonic.com</a> 電話: 852 3102 2900	<b>Australia/New Zealand</b> <a href="http://www.viewsonic.com.au">http://www.viewsonic.com.au</a> Phone: 1800 880 818 (AUS) 0800 008 822 (NZ)
<b>澳門</b> <a href="http://www.hk.viewsonic.com">http://www.hk.viewsonic.com</a> 電話: 853 2833 8407	<b>South Africa</b> <a href="http://ap.viewsonic.com/za/">http://ap.viewsonic.com/za/</a>
<b>台灣</b> <a href="http://www.viewsonic.com.tw">http://www.viewsonic.com.tw</a> 電話: 0800 899 880	<b>Latin America (Chile)</b> <a href="http://www.viewsonic.com/la/">http://www.viewsonic.com/la/</a> <a href="http://www.viewsonic.com/la/soporte/servicio-technico">http://www.viewsonic.com/la/soporte/servicio-technico</a>
<b>한국</b> <a href="http://ap.viewsonic.com/kr/">http://ap.viewsonic.com/kr/</a> Phone: 080 333 2131	<b>Latin America (Mexico)</b> <a href="http://ap.viewsonic.com/la/">http://ap.viewsonic.com/la/</a> <a href="http://www.viewsonic.com/la/soporte/servicio-technico">http://www.viewsonic.com/la/soporte/servicio-technico</a>
<b>Singapore/Malaysia/Thailand</b> <a href="http://www.viewsonic.com.sg">http://www.viewsonic.com.sg</a> Phone: 65 6461 6044	<b>Latin America (Peru)</b> <a href="http://www.viewsonic.com/la/">http://www.viewsonic.com/la/</a> <a href="http://www.viewsonic.com/la/soporte/servicio-technico">http://www.viewsonic.com/la/soporte/servicio-technico</a>
<b>India</b> <a href="http://www.in.viewsonic.com">http://www.in.viewsonic.com</a> Phone: 1800-419-0959	<b>Latin America (Argentina)</b> <a href="http://www.viewsonic.com/la/">http://www.viewsonic.com/la/</a> <a href="http://www.viewsonic.com/la/soporte/servicio-technico">http://www.viewsonic.com/la/soporte/servicio-technico</a>
<b>United States</b> <a href="http://www.viewsonic.com">http://www.viewsonic.com</a> Phone: 1-800-688-6688	<b>Puerto Rico &amp; Virgin Islands</b> <a href="http://www.viewsonic.com">http://www.viewsonic.com</a> Phone: 1-800-688-6688 (English) <a href="http://www.viewsonic.com/la/soporte/servicio-technico">http://www.viewsonic.com/la/soporte/servicio-technico</a>
<b>Canada</b> <a href="http://www.viewsonic.com">http://www.viewsonic.com</a> Phone: 1-866-463-4775	