

SR560-FLIP2



Mounting Pattern
400 x 400mm



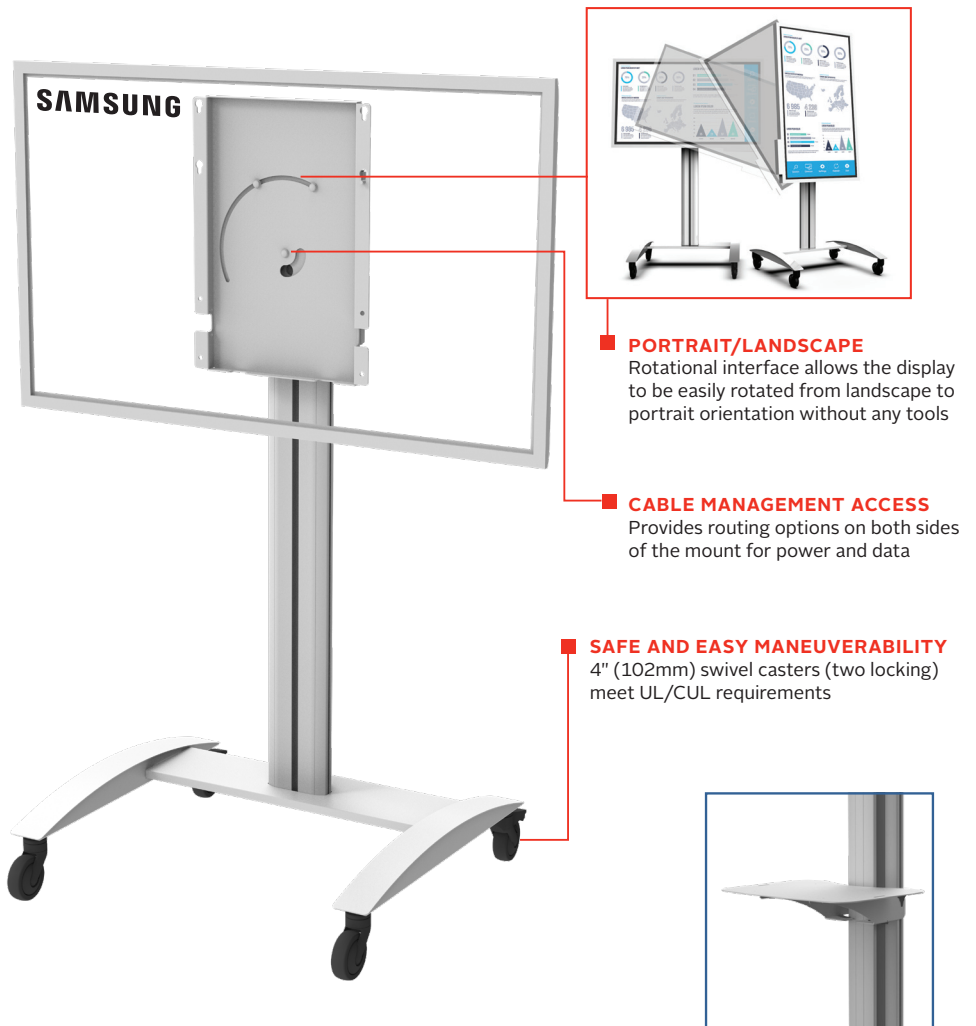
Max Load
90lb (41kg)

Mobile Cart with Rotational Interface

FOR THE 55" (WM55B, WM55H, WM55R) AND 65" (WM65B, WM65R)
SAMSUNG FLIP, FLIP 2 & FLIP PRO

Peerless-AV's Mobile Cart with Rotational Interface has been designed to support the features and functionality of the 55" and 65" Samsung Flip displays. Mobility, appealing design, display height adjustment and a pre-assembled base ensure quick assembly, while providing a rigid, but attractive structure to match the display's aesthetics. The 4" casters make it easy to move from room-to-room and optional bumper accessories ensure nothing is damaged along the way. The mount's rotational interface allows the user to easily rotate the display 90° from landscape to portrait, and holds the display at a 0° or -4.5° to further promote ergonomics with a more natural angled writing surface. The unique cable management system allows cables to be routed through the interface, which keeps the cabling safe and abrasion free when rotating the display. With a robust feature set featured on safety and durability, the Mobile Cart with Rotational Interface is ideal for collaboration spaces in corporate or education settings.

- Display can be located anywhere along the column for perfect viewing height (up to 60" at center)
- Rotational interface holds the display at a 0° or -4.5° to further promote ergonomics and a more natural writing surface
- Pre-assembled base provides rigidity, stability and quick assembly
- Gloss white, powder coat finish closely matches the Samsung Flip finish
- 400 x 400 VESA® and custom length M8 hardware provide the proper mounting solution for the Samsung Flip
- Cart includes (4) plastic base pads for instances when casters are not needed



info@peerless-av.com
peerless-av.com

peerless-AV[®]
Driving Technology Through Innovation

SR560-FLIP2	Mobile Cart with Rotational Interface for the 55" (WM55B, WM55H, WM55R) and 65" (WM65B, WM65R) Samsung Flip
--------------------	---

Product Specifications

	DIMENSIONS (W X H X D)	PRODUCT WEIGHT	LOAD CAPACITY	FINISH	AVAILABLE COLORS
SR560-FLIP2	35.01" x 67.73" x 29.00" (889 x 1720 x 737mm)	80.0lb (36.3kg)	90lb (41kg)	Powder Coat	Gloss White

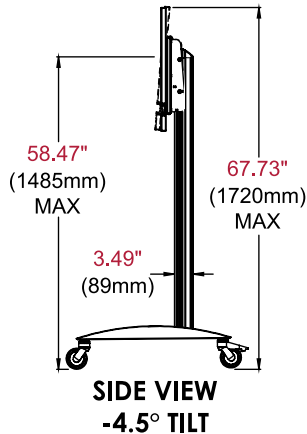
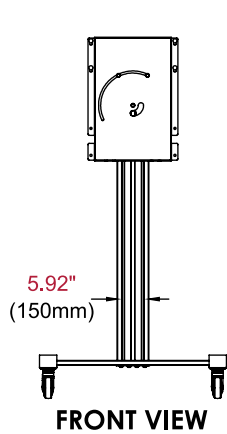
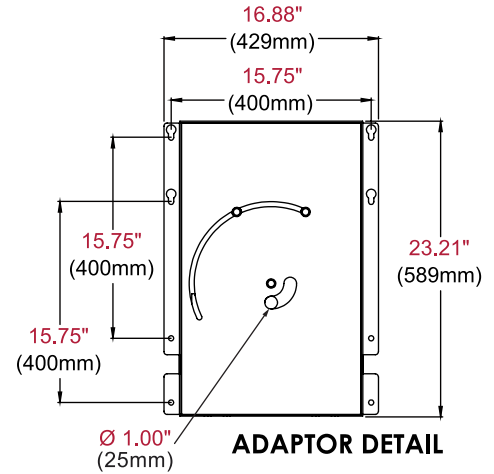
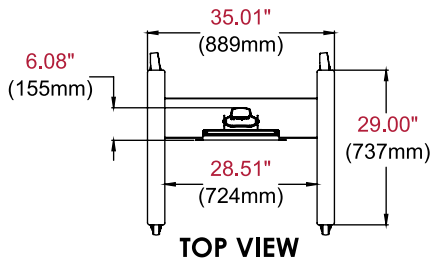
Package Specifications

	PACKAGE SIZE (W x H x D)	PACKAGE SHIP WEIGHT	PACKAGE UPC CODE	PACKAGE CONTENTS	UNITS IN PACKAGE
SR560-FLIP2	48.00" x 38.00" x 7.00" (1219 x 965 x 178mm)	88. lb (40.1kg)	735029338086	Assembled Base, Aluminum Column, Universal Display Adaptor, (2) Swivel Casters, (2) Locking Swivel Casters, (4) Plastic Base Pads, Hardware & Instructions	1

Accessories

- | | |
|---|--|
| ACC310: Leveling Feet Accessory | ACC-LA: Laptop Arm |
| ACC316: Safety Belt | ACC-MS: Metal Shelf |
| ACC320: Electrical Outlet Strip with Cord Wrap | ACC-MSF-W: Rear Metal Shelf (White) |
| ACC-BPR: Bumper Accessory for Legs | |

All dimensions = inch (mm)



Architect Specifications

The Mobile Cart with Rotational Interface shall be a Peerless-AV model SR560-FLIP2 and shall be located where indicated on the plans. Assembly and installation shall be done according to instructions provided by the manufacturer.

Visit peerless-av.com to see the complete line of AV solutions from Peerless-AV, including outdoor displays, kiosks, digital audio, display mounts, projector mounts, carts/stands, and a full assortment of accessories.

Peerless-AV
2300 White Oak Circle
Aurora, IL 60502 USA
(800) 865-2112
(630) 375-5100
Fax: (800) 359-6500

Peerless-AV EMEA
Unit 2, Curo Park
St Albans, Herts
AL2 2DD
United Kingdom
+44 (0) 1923 200100
Fax: +44 (0) 1923 200101

Peerless-AV Latin America
Av. de las Industrias 413
Parque Industrial Escobedo
General Escobedo, N.L.,
México, 66062
+52 (81) 8384-8300
Fax: +52 (81) 8384-8360

