

XHB754-EUK



75" Xtreme™ High Bright Outdoor Display

There has never been an outdoor daylight readable display built to withstand the harsh outdoor elements like the Peerless-AV® Xtreme™ High Bright. Featuring an IP66 Rated design and a patented thermal exhaust system, Xtreme High Bright Outdoor Displays are fully protected against water, dust, moisture and even insects. The display's cover glass is optically bonded, which increases the perceived contrast ratio and cuts down on glare, providing amazing picture quality even in direct sunlight. With an operating temperature range of -35°C to 60°C, Xtreme Displays are designed to thrive year-round outside, without worry of extreme hot or cold temperature waves. This High Bright line of commercial displays offer 3000nits of luminance to combat high ambient lighting conditions, while the ambient light sensor automatically adjusts the display's brightness to optimise the power consumption and enhance the viewing experience. Providing unmatched capabilities, Xtreme High Bright Outdoor Displays are the perfect digital signage or entertainment solution for any professional application.

All Weather Rated (IP66)



Operating Temperature Range:

-35°C to 60°C
(-31°F to 140°F)

- Optically bonded, anti-reflective cover glass increases the perceived contrast ratio and cuts down on glare, providing amazing picture quality, even in direct sunlight
- Daylight readable with LED backlight and 4K resolution for a bright, crisp picture
- Includes Quarter Wave Plate polarizer, allowing for portrait and landscape installations
- Fully-sealed, rugged display designed for 24/7 operation in harsh environments year-round
- Remote and Local monitoring, supported via IP addressable user interface, for temperature, humidity, and power draw diagnostics of the display
- Anti-theft, Gyroscopic sensor can be set to specific degrees and tolerances, if the display is moved beyond the set figure an email and text will be sent to the registered user

AMBIENT LIGHT SENSOR

Automatically adjusts brightness to best match the lighting conditions, which optimizes the display's power consumption and enhances the viewing experience (optional ALS extender accessory available)

HIGH BRIGHT OUTPUT

Offers 3000nits of light output to combat high ambient lighting conditions



FULLY-SEALED DESIGN

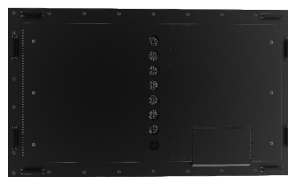
IP66 rating prevents the ingress of foreign materials, such as water, dust, moisture and insects, from entering the display

IK10, TEMPERED COVER GLASS

Protects the screen against vandalism and debris

HDBaseT

Provides Audio / Video, over a single shielded CAT6e up to 100m (HDBaseT Tx required)



PATENTED THERMAL EXHAUST SYSTEM

Keeps internal components properly cooled in extreme heat

VESA® MOUNTING PATTERN

Provides cost savings and flexibility in outdoor rated mount selection



XHB754-EUK 75" Xtreme™ High Bright Outdoor Display

LCD Display

SCREEN SIZE	75" Class (74.5" Diagonal)
ACTIVE SCREEN AREA	64.9" x 36.5" (1650 x 928mm)
PIXEL PITCH	.429mm x .429mm
ASPECT RATIO	16:9
RESOLUTION	3840 x 2160
COLOUR DEPTH	10Bit (1.07 Billion Colors)
BRIGHTNESS	3000cd/m ²
COLOR GAMUT	68% NTSC
BACKLIGHT ADJUSTMENT	Automatic (Ambient Light Sensor)
CONTRAST RATIO	1200:1
VIEWING ANGLE	178° Vertical/Horizontal
DISPLAY ORIENTATION	Portrait/Landscape
BACKLIGHT	Direct LED
RESPONSE TIME	8ms (Gray to Gray)
REFRESH RATE	60Hz
OPERATING TIME	24/7

Display Features

Ambient Light Sensor, Auto Source Switching, Brightness Scheduling, Email Alerting, IP Control, Pixel Shift, Power Scheduling

Mechanical

SIZE (W x H x D)	1723.6 x 1002 x 136.1mm (67.86" x 39.45" x 5.36")
COLOUR	Black
GLASS	IK10 Rated Heat Tempered Anti-Reflective Treatment Optically Bonded Quarter Wave Plate Polarizer
VESA® PATTERN	1400 x 300mm 1400 x 600mm
NET WEIGHT	86.0kg (189.6lb)

Power

AC INPUT	100 VAC to 240 VAC, 50 to 60 Hz
POWER CONSUMPTION	600W
STAND BY POWER	Passive Standby = <0.5W Active Standby = <3.0W

Input/Output Connections

HDMI INPUT	HDMI (x2) 480i ~ 2160p CEC: HDMI 1, 2 ARC: HDMI 2
CVBS INPUT	3.5mm (x1) 480i
DISPLAYPORT INPUT	DP (x1) 480i ~ 2160p
YPbPr INPUT	3.5mm (x1) 480i ~ 1080i
ANALOG AUDIO OUTPUT	3.5mm Headphone Jack (x1)
DIGITAL AUDIO OUTPUT	Optical (x1)
USB DATA INPUT	USB 2.0 (x1) Multimedia, Software Upgrade
RS232 INPUT	3.5mm TRS Jack (x1)
12VDC 2.5A OUTPUT	5.5mm (x1)
USB POWER 5VDC 2.4A OUTPUT	USB (x1)
IR EXTENDER INPUT	3.5mm (x1)
IR REPEATER OUTPUT	3.5mm (x1)
AMBIENT LIGHT SENSOR EXTENDER INPUT	3.5mm (x1)
LAN INPUT	RJ-45 (X1)
HDBASET INPUT	RJ-45 (x1) (supports Audio/Video only)

Environmental

OPERATING TEMPERATURE	-35°C to 60°C (-31°F - 140°F)
IP RATING	IP66
REGULATORY	FCC Class A, cULus, CE, UKCA

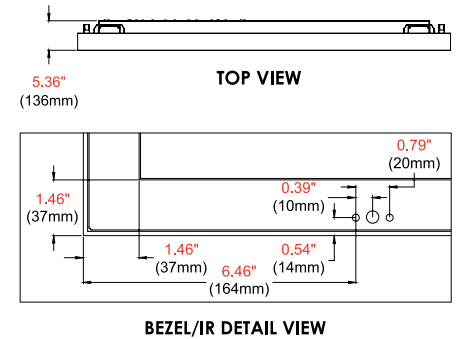
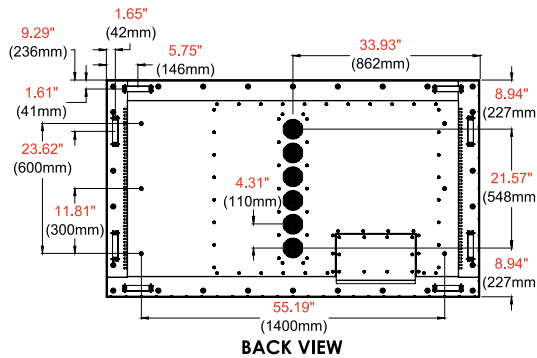
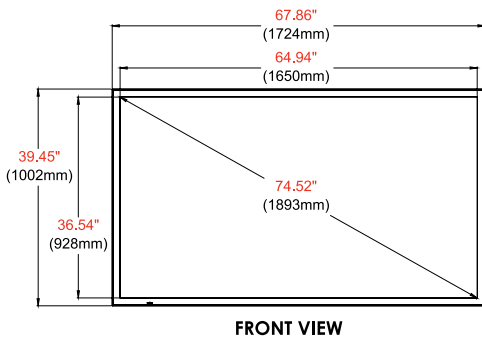
Package Specifications

	PACKAGE SIZE (W x H x D)	PACKAGE SHIP WEIGHT	PACKAGE UPC CODE	PACKAGE CONTENTS	UNITS IN PACKAGE
XHB754-EUK	1870 x 1125 x 301mm" (73.62" x 44.29" x 11.85")	102kg (224.87lb)	735029348108	Display, Waterproof Universal Remote Control, User's Guide, 3mm Hex Wrench, Power Cord, IR Extender	1

Accessories

- ACCD-05K: 5 Volt Accessory Kit
- ACCD-12K: 12 Volt Accessory Kit
- ACCD-ALG: Analog Accessory Kit
- ACCD-ALS: Ambient Light Sensor Extender

All dimensions = inch (mm)



Architect Specifications

The Xtreme™ High Bright Outdoor Display shall be a Peerless-AV model XHB754-EUK and shall be located where indicated on the plans. Assembly and installation shall be done according to instructions provided by the manufacturer.

Visit peerless-av.com to see the complete line of AV solutions from Peerless-AV, including outdoor displays, kiosks, display mounts, projector mounts, carts/stands, and a full assortment of accessories.

Peerless-AV
2300 White Oak Circle
Aurora, IL 60502 USA
(800) 865-2112
(630) 375-5100
Fax: (800) 359-6500

Peerless-AV EMEA
Unit 3 Watford Interchange
Colonial Way, Watford
Herts, WD24 4WP
United Kingdom
+44 (0) 1923 200100
Fax: +44 (0) 1923 200101

Peerless-AV Latin America
Av. de las Industrias 413
Parque Industrial Escobedo
General Escobedo, N.L.,
México, 66062
+52 (81) 8384-8300
Fax: +52 (81) 8384-8360

