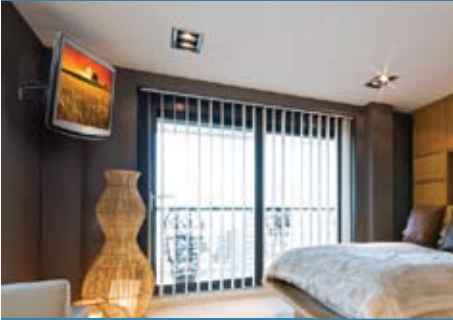


SA740P(-S)

SmartMount® Articulating Wall Arm For 22" -40" Flat Panel Displays

From any angle, this wall arm mount reflects remarkable form and function. Extending the display up to 20.18" (513mm) from the wall and allowing for a full 180° of side-to-side motion for viewing in any part of the room. Fine-tuning of the installation is simple with its side-to-side display leveling features that help achieve installation perfection. This articulating arm also provides display centering on the wall plate and integrates a cable management system, centering the display on the wall when retracted and organizing and protecting the cables at all times. Designed and built in the USA, this mount maintains the same brilliant look as the entire SmartMount® 700 Series line of Articulating and Pivot Wall Arm Mounts.



Display size: 22"-40"



Max load: 80lb (36kg)

FEATURES

- Compatible with 22" to 40" flat panel displays with mounting hole patterns of 75, 100, 200 x 100, and 200 x 200mm
- Display can be held as close to the wall as 3.35" (85mm) or be extended as far as 20.18" (513mm)
- One-Touch™ tilt mechanism provides up to +15°/-5° of tilt adjustment for achieving the ideal viewing angle
- ±5° of roll allows for post installation leveling
- Display can be pivoted a full ±90° for obtaining ideal viewing direction
- Integrated cable management system makes running cables simple while keeping the cables protected
- Display centers on wall plate for easy mount placement
- UL Listed for up to 80lb (36kg) load capacity

CLEAN APPLICATION

Integrated cable management system keeps cables organized and protected

VIEWING FLEXIBILITY

Arm extends up to 20.18" (513mm) from wall



REMARKABLE FORM

Single stud mounting for a low-profile and fast installation

IDEAL TILT WITH JUST A TOUCH

One-Touch™ tilt allows adjustment of +15° /-5° without the use of tools



Post-Installation leveling



Integrated cable management protects and organizes cables



Display centers on wall plate for the ideal display position when retracted

* OSHPD Approval Pending



RoHS



CLICK: www.peerless-av.com

CALL: 800.865.2112

FAX: 800.359.6500

peerless-AV™

SA740P(-S) SmartMount® Articulating Wall Arm for 22"-40" Flat Panel Displays

Product Specifications

	DIMENSIONS (W x H x D)	PRODUCT WEIGHT	LOAD CAPACITY	FINISH	AVAILABLE COLORS
SA740P(-S)	13.25" x 9.35" x 3.35"-20.18" (337 x 237 x 85-513mm)	8lb (3.6kg)	80lb (36kg)	Scratch resistant fused epoxy	SA740P: Gloss Black SA740P-S: Gloss Silver

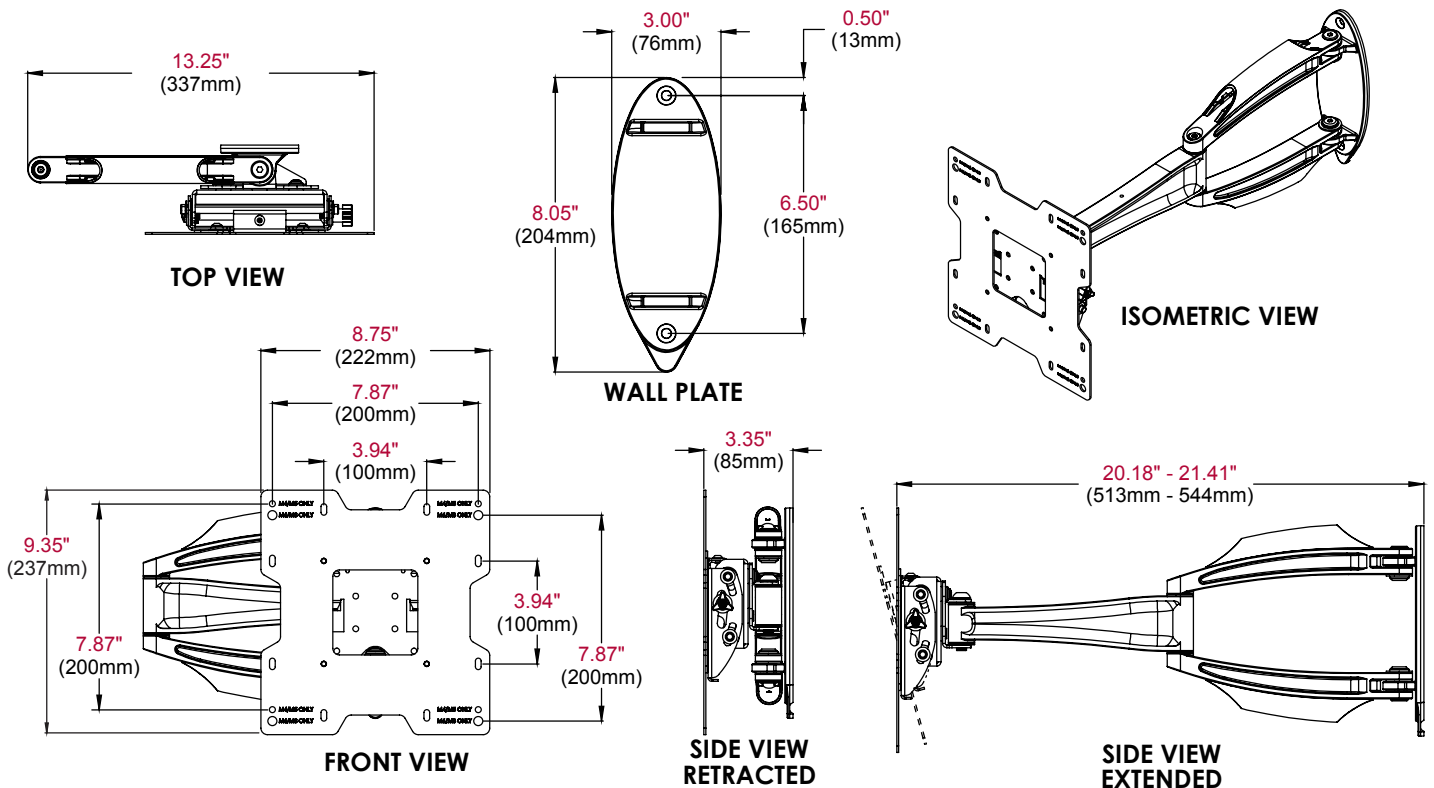
Package Specifications

	PACKAGE SIZE (W x H x D)	PACKAGE SHIP WEIGHT	PACKAGE UPC CODE	PACKAGE CONTENTS	UNITS IN PACKAGE
SA740P(-S)	13" x 10" x 4" (330 x 250 x 101mm)	8.45lb (3.8kg)	SA740P: 735029237327 SA740P-S: 735029237334	Mount, wall and display attachment hardware, installation instructions	1

Accessories

- ACC919:** Security Fasteners
- WSP700:** Metal Stud Wall Plate for 16" Center Metal Studs
- WSP701:** Metal Stud Wall Plate for 20" and 24" Center Metal Studs

All dimensions = inch (mm)



ARCHITECTS SPECIFICATIONS

The SmartMount® Articulating Wall Arm shall be a Peerless-AV model SA740(P,-S) and shall be located where indicated on the plans. It shall feature scratch resistant black or silver fused epoxy finish. Assembly and installation shall be done according to instructions provided by the manufacturer.

Peerless Industries, Inc. ■ 2300 White Oak Circle ■ Aurora, IL 60502 ■ (800) 865-2112 ■ (630) 375-5100 ■ Fax: (800) 359-6500 ■ www.peerless-av.com

Visit www.peerless-av.com to see the complete line of AV solutions from Peerless-AV, including flat panel mounts, projector mounts, carts/stands, furniture, cables, screen cleaners and a full assortment of accessories.