

SF670(P)



Display size  
**49"- 90"**



Max load  
**250lb (113kg)**

**SMARTMOUNT**

# Universal Flat Wall Mount

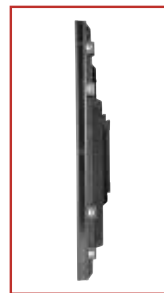
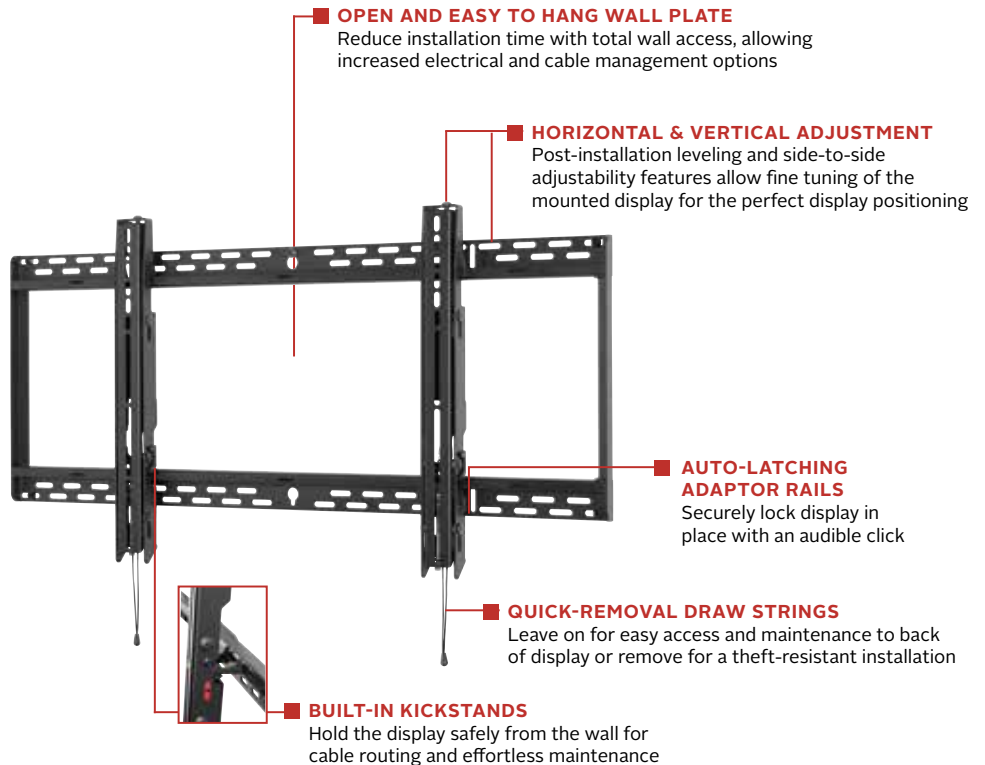
FOR 46" TO 90" DISPLAYS

Peerless-AV's SmartMount® Universal Flat Wall Mount delivers an ultra-slim profile designed to hold large displays up to 250lb. Installation and maintenance are made easy with the SF670's robust feature set. Auto-latching adaptor rails automatically secure the display without the use of a tool. The mount's built-in kickstand holds the display safely from the wall during cable routing, while the open wall plate allows for increased electrical and cable management options. Horizontal and vertical display adjustment allow for quick fine-tuning of the mounted display.

*The SF670(P) reduces installation time and provides the most stable mounting solution for large interactive displays.*

## Additional Features

- ✓ Universal mount fits displays with mounting patterns up to 895 x 450mm (35.25" W x 17.72" H)
- ✓ Low-profile design holds display only 1.73" (44mm) from the wall
- ✓ Easy hang wall plate allows a bolt to be pre-installed to ease wall plate installation
- ✓ Lateral display adjustment up to 11.25" (286mm)
- ✓ 1" of post-installation vertical adjustment provides flexibility in the installation
- ✓ Includes fastener pack with all necessary mounting and display attachment hardware (including M10)



Low-profile design for a sleek, yet compact installation



Comes in color packaging with included installation hardware and easy to follow instructions.



Please visit [peerless-av.com/en-us/patents](http://peerless-av.com/en-us/patents) for patent information.

info@peerless-av.com  
peerless-av.com

**peerless-AV**®

|               |   |
|---------------|---|
| <b>SF670P</b> | SmartMount® Universal Flat Wall Mount for 46" to 90" Displays - standard models |
| <b>SF670</b>  | SmartMount® Universal Flat Wall Mount for 46" to 90" Displays - security models |

Product Specifications

|                 | DIMENSIONS (W x H x D)                        | PRODUCT WEIGHT   | LOAD CAPACITY | FINISH                        | AVAILABLE COLORS |
|-----------------|---|------------------|---------------|-------------------------------|------------------|
| <b>SF670(P)</b> | 37.75" x 19.48" x 1.73"<br>(959 x 495 x 44mm) | 13.21lb (6.00kg) | 250lb (113kg) | Scratch resistant fused epoxy | Semi-gloss black |

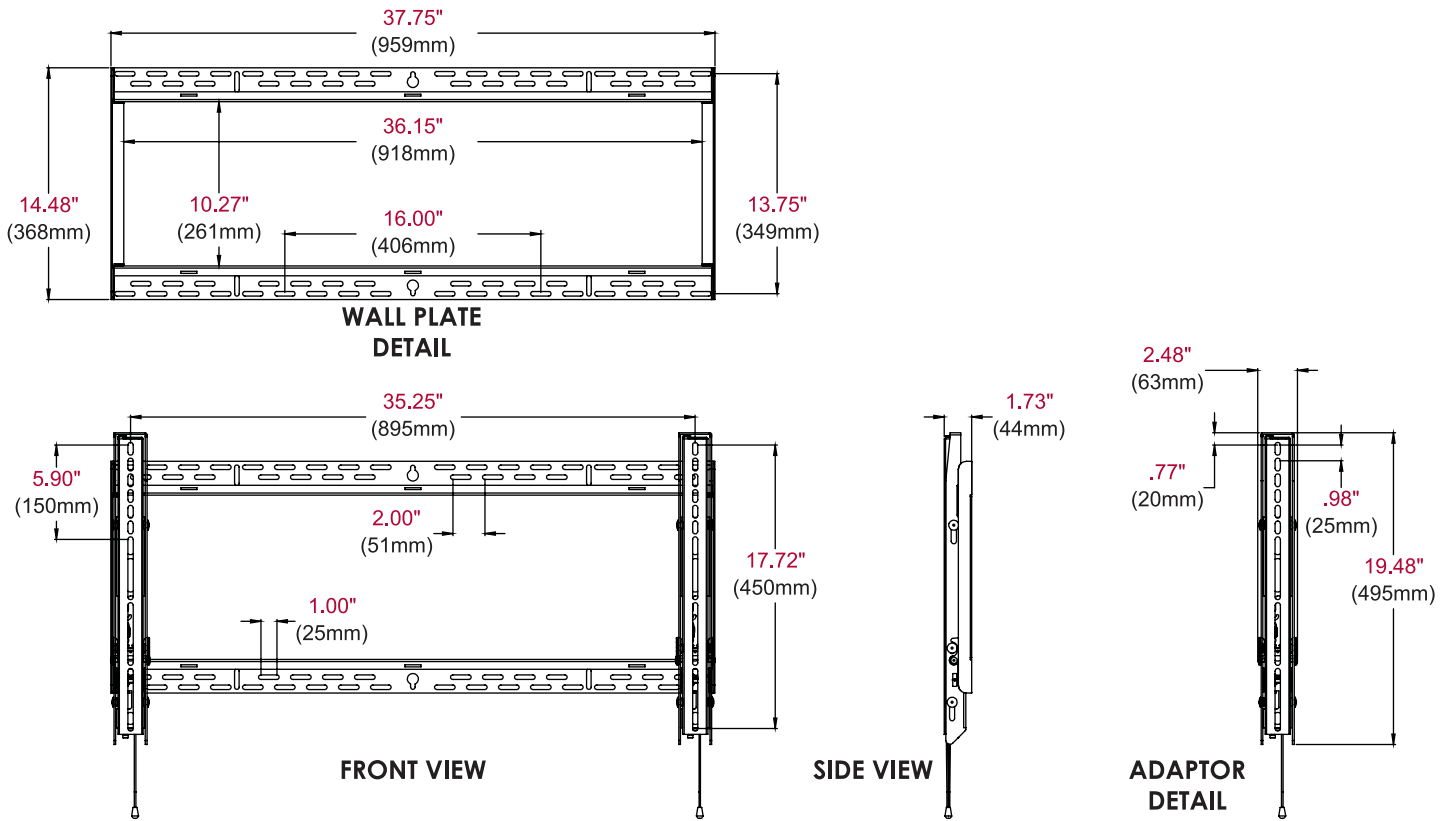
Package Specifications

|                 | PACKAGE SIZE (W x H x D)                      | PACKAGE SHIP WEIGHT | PACKAGE UPC CODE                            | PACKAGE CONTENTS  | UNITS IN PACKAGE |
|-----------------|---|---------------------|---|---|------------------|
| <b>SF670(P)</b> | 38.60" x 2.30" x 15.40"<br>(980 x 58 x 390mm) | 16.21lb (7.35kg)    | SF670: 735029242192<br>SF670P: 735029242208 | Wall mount, wall and display installation hardware, installation instructions | 1                |

Accessories

**ACC615:** Metal Stud Fastener Kit

All dimensions = inch (mm)



Architect Specifications

The Smartmount® Universal Flat Wall Mount shall be a Peerless-AV model SF670(P) and shall be located where indicated on the plans. Assembly and installation shall be done according to instructions provided by the manufacturer.

Visit [peerless-av.com](http://peerless-av.com) to see the complete line of AV solutions from Peerless-AV, including outdoor displays, wireless, kiosks, digital audio, display mounts, projector mounts, carts/stands, and a full assortment of accessories.

**Peerless-AV**  
2300 White Oak Circle  
Aurora, IL 60502 USA  
**(800) 865-2112**  
**(630) 375-5100**  
**Fax: (800) 359-6500**

**Peerless-AV Europe**  
Unit 3 Watford Interchange  
Colonial Way, Watford  
Herts, WD24 4WP  
United Kingdom  
**+44 (0) 1923 200100**  
**Fax: +44 (0) 1923 200101**

**Peerless-AV de México**  
Ave de las Industrias 413  
Parque Industrial Escobedo  
Escobedo, N.L.,  
Mexico 66050  
**+52 (81) 8384-8300**  
**Fax: +52 (81) 8384-8360**

