

SR560G



Display size
32"-75"



Max load
150lb (68.2kg)
display
10lb (4.55kg)
per shelf

SMARTMOUNT® Flat Panel Cart

FOR 32" TO 75" DISPLAYS

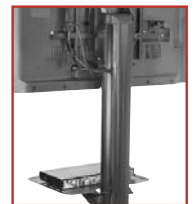
The SR560G SmartMount® Flat Panel Cart has been redesigned to include all of the features you may need, making it perfect for any application. Mobility, appealing design, display height adjustment, pre-assembled base and UL® certification ensure quick assembly while providing a ridged, but attractive, structure that fits into any décor. The 4" castors make it easy to move from room to room while the UL® certification ensures you that it can be done with safety in mind.

Designed to meet UL certifications, the SR560G incorporates safety and security, ensuring you get the job done correctly.



Additional Features

- ✓ Display and component shelf can be located anywhere along the column for perfect component placement and viewing height (up to 60" at center)
- ✓ Integrated cable management protects, contains and conceals cables for a clean, professional installation
- ✓ Maneuvers easily on 4" (102mm) swivel casters, two locking
- ✓ Pre-assembled base provides rigidity, stability and quick assembly
- ✓ Textured black powder coat finish helps hide finger prints and dust
- ✓ Open frame display adaptor helps prevent display input interference
- ✓ Universal mount fits displays with mounting patterns from 200 x 200mm up to 600 x 400mm



Cable management allows cables to enter or exit anywhere along the column



RoHS



SR560G

SR560G SmartMount® Flat Panel Cart for 32" to 75" Displays

Product Specifications

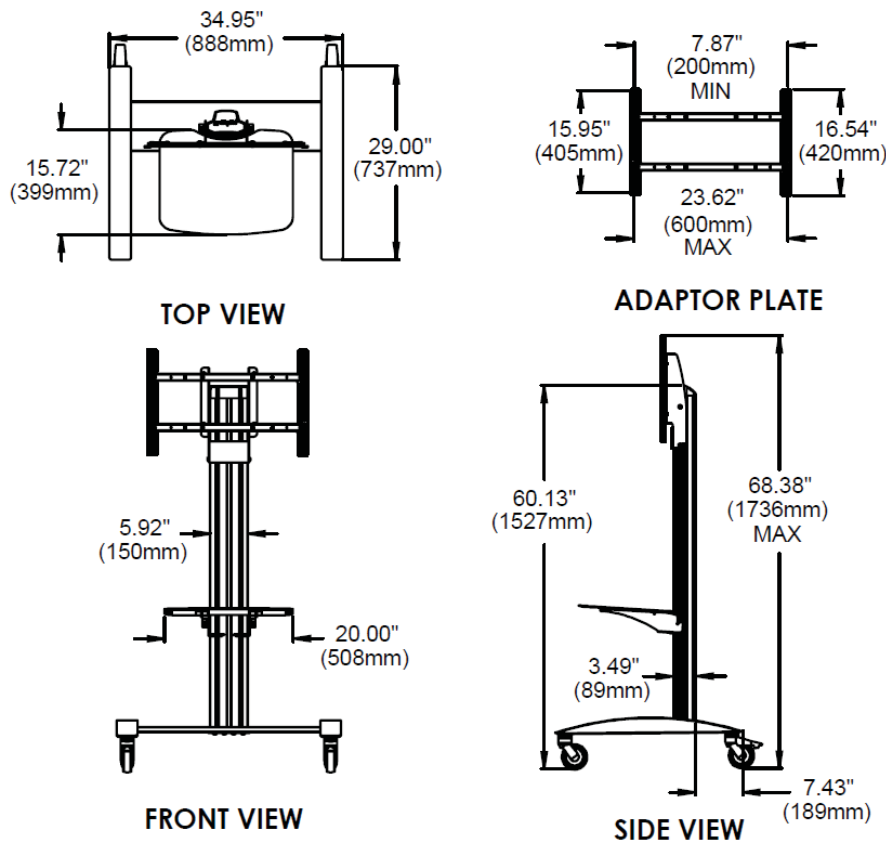
	DIMENSIONS (W X H X D)	PRODUCT WEIGHT	LOAD CAPACITY	FINISH	AVAILABLE COLORS
SR560G	34.95" x 68.38" x 29.00" (888 x 1736 x 737mm)	66lb (30kg)	150lb (68.2kg) display 10lb (4.55kg) per shelf	Textured Powder Coat	SR560G: Black

Package Specifications

	PACKAGE SIZE (W x H x D)	PACKAGE SHIP WEIGHT	PACKAGE UPC CODE	PACKAGE CONTENTS	UNITS IN PACKAGE
SR560G	47.50" x 7.25" x 38.50" (1207 x 184 x 978mm)	79lb (35.9kg)	SR560G: 735029247722	Assembled base, Aluminum column, Universal display adaptor, Glass component shelf, (2) swivel casters, (2) locking swivel casters, hardware & instructions	1

Accessories

- ACC310:** Feet Accessory
- ACC316:** Safety Belt
- ACC320:** Electrical Outlet Strip with Cord Wrap
- ACC-BPR:** Bumper Accessory for legs
- ACC-GS1:** Tempered Glass Shelf
- ACC-LA:** Laptop Arm
- ACC-MS:** Metal Shelf
- ACC-VCS:** Video Conferencing Camera Shelf
- DSX750:** Media Player Storage



Architect Specifications

The SmartMount® Flat Panel Cart shall be a Peerless-AV model SR560G and shall be located where indicated on the plans. Assembly and installation shall be done according to instructions provided by the manufacturer.

Visit peerless-av.com to see the complete line of AV solutions from Peerless-AV, including outdoor displays, wireless, kiosks, digital audio, display mounts, projector mounts, carts/stands, and a full assortment of accessories.

Peerless-AV
 2300 White Oak Circle
 Aurora, IL 60502 USA
(800) 865-2112
(630) 375-5100
Fax: (800) 359-6500

Peerless-AV Europe
 Unit 3 Watford Interchange
 Colonial Way, Watford
 Herts, WD24 4WP
 United Kingdom
+44 (0) 1923 200100
Fax: +44 (0) 1923 200101

Peerless-AV de México
 Ave de las Industrias 413
 Parque Industrial Escobedo
 Escobedo, N.L.,
 Mexico 66050
+52 (81) 8384-8300
Fax: +52 (81) 8384-8360

