

SP746PU

SmartMount®

Pivot Wall Mount

For 26"-46" Flat Panel Screens

Supporting screens up to 46" the SP746PU mount provides pivoting functionality for the viewing angle adjustment when full articulation is not required. This user-friendly and easy to install mount delivers one touch side-to-side swivel and tilting functionality that is complemented by its lightweight construction and intuitive three step installation process. Adding to its pivot functionality is the mounts clean aesthetic, contributed to by its cable management system that easily organizes and routes cables, focusing all the attention on the screen. Designed and built in the USA.



FEATURES

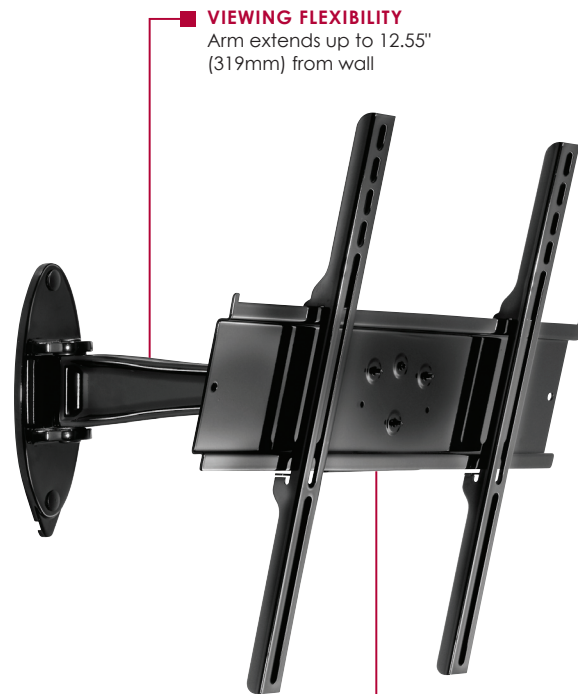
- Universal screen adapters provide compatibility with up to a VESA® 400 x 400mm mounting hole pattern
- Arm extends up to 12.55" (319mm) from wall
- One-touch tilt allows adjustment of +15/-5° without the use of tools
- Up to ±90° of side-to-side swivel
- ±5° of roll to level screen horizontally
- Integrated cable management keeps cables out of the way



Screen size: 26"-46"



Max load: 80lb (36kg)



VIEWING FLEXIBILITY

Arm extends up to 12.55" (319mm) from wall

IDEAL TILT WITH JUST A TOUCH

One-touch tilt allows adjustment of +15/-5° without the use of tools



Arm retracts to just 3.74" (95mm) and extends up to 12.55" (319mm) from wall



Cable management from the screen to the wall plate for an organized, clean look



RoHS

MADE IN USA

CLICK: www.peerlessmounts.com

CALL: 800.865.2112

FAX: 708.865.2941

peerless®

SP746PU Pivot Wall Mount for 26"-46" Flat Panel Screens

Product Specifications

	DIMENSIONS (W x H x D)	PRODUCT WEIGHT	LOAD CAPACITY	FINISH	AVAILABLE COLORS
SP746PU	18.75" x 17" x 3.74"-12.55" (476 x 432 x 95-319mm)	7.23lb (3.28kg)	80lb (36kg)	Scratch resistant fused epoxy	Gloss black

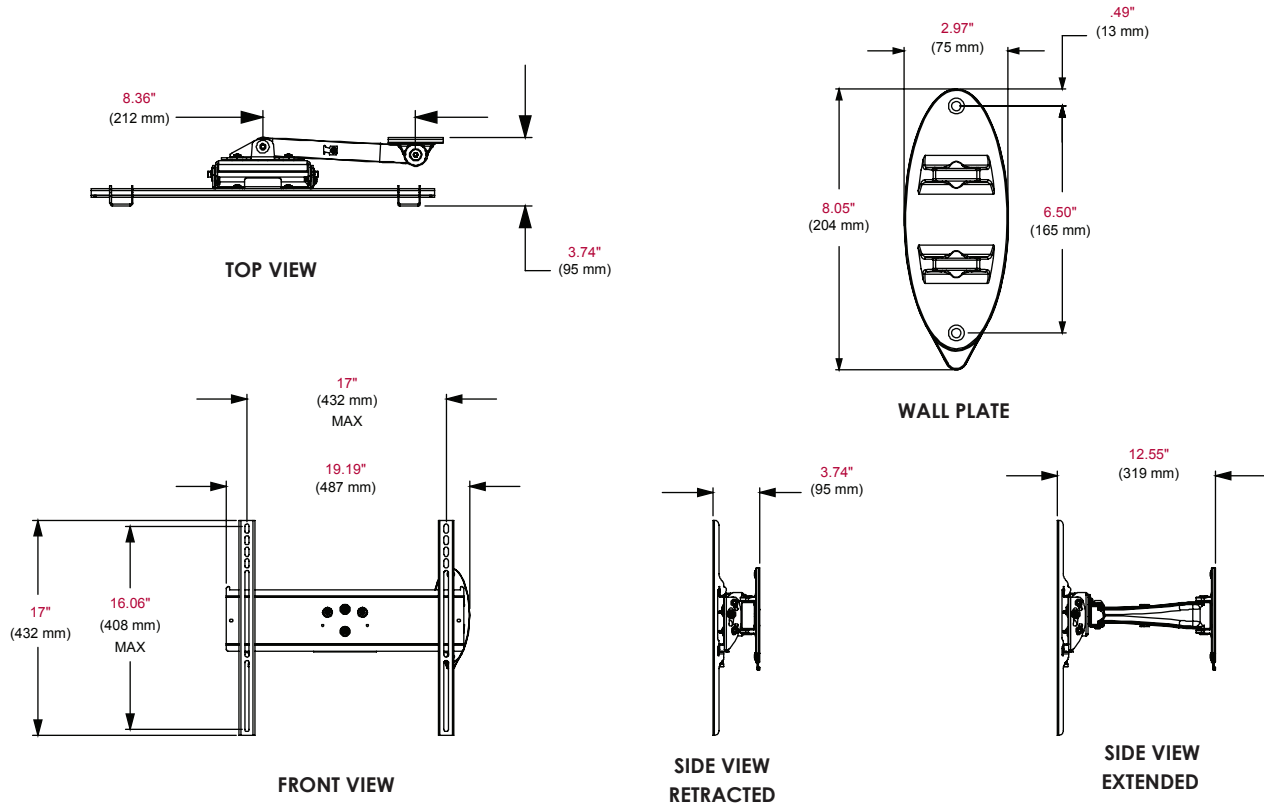
Package Specifications

	PACKAGE SIZE (W x H x D)	PACKAGE SHIP WEIGHT	PACKAGE UPC CODE	PACKAGE CONTENTS	UNITS IN PACKAGE
SP746PU	21" x 11.5" x 5" (533 x 292 x 127mm)	7.7lb (3.5kg)	735029271918	Mount, screen and wall mounting hardware	1

Accessories

- ACC925:** Security Fasteners
- WSP700:** Metal Stud Wall Plate for 16" Center Metal Studs
- WSP701:** Metal Stud Wall Plate for 20" and 24" Center Metal Studs

All dimensions = inch (mm)



ARCHITECTS SPECIFICATIONS

The Pivoting Wall Mount shall be a Peerless model SP746PU and shall be located where indicated on the plans. Assembly and installation shall be done according to instructions provided by the manufacturer. Mount is made of scratch resistant epoxy black finish.