

SP850-V2X2



**Mounting Pattern**  
200 x 200mm



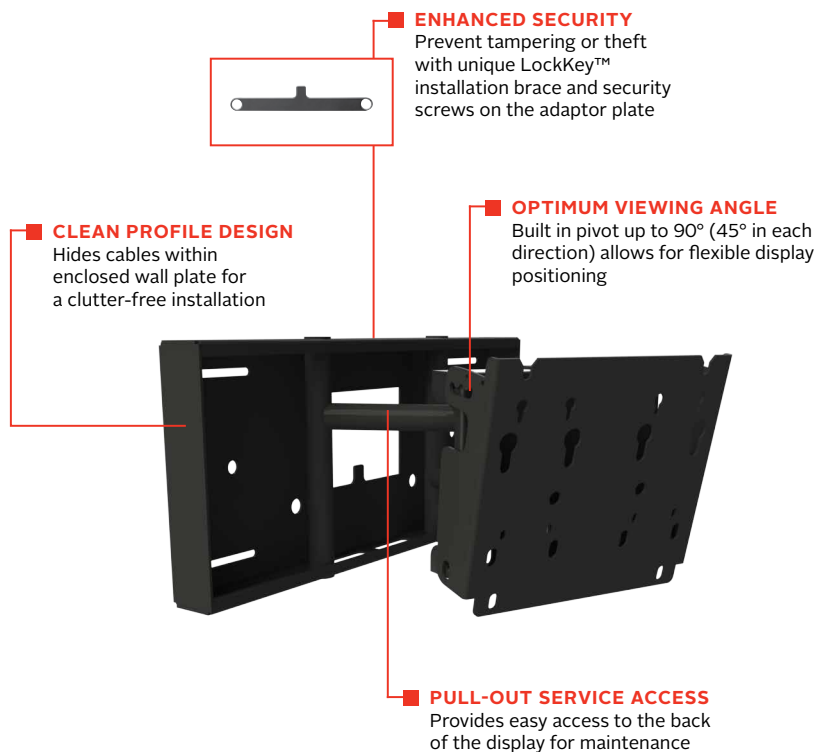
**Max Load**  
150lb (68kg)

# Pull-out Pivot Wall Mount

FOR 26" TO 65" DISPLAYS

The Pull-out Pivot Mount combines the best features of a wall mount and a pivot arm into one design. In the closed position, the SP850-V2X2 acts as a flat or tilting wall mount. At only 2.73" (69mm) from the wall, its unique wall plate and built-in cable management neatly hides all components and cords. Extended, the sturdy arm construction smoothly glides the display out 11.18" (284mm) from the wall and allows the flat panel display to pivot up to 45°. This feature not only enables the display to be positioned at an optimal viewing angle, but it also provides easy access to the back of the display for hassle-free maintenance. The SP850-V2X2 is also ideal in applications where the display needs to be recessed into the wall, custom framed, or aligned into a multi-display wall.

- Dedicated VESA® 200 x 200mm mounting pattern
- Retract to hold display 2.73" (69mm) from the wall
- Extend display up to 11.18" (284mm) from the wall
- IncreLok™ tilt provides tilt at 0°, 5° and 10°
- ±1° of roll for horizontal display leveling during installation
- Mounts to 16" wood studs, concrete and cinder/breeze block



Please visit [peerless-av.com/en-us/patents](http://peerless-av.com/en-us/patents) for patent information.



Perfect for In-Wall or Recessed Applications

SP850-V2X2 Pull-out Pivot Wall Mount for 26" to 65" Displays (VESA® 200 x 200mm Mounting Pattern)

**Product Specifications**

	DIMENSIONS (W x H x D)	PRODUCT WEIGHT	LOAD CAPACITY	FINISH	AVAILABLE COLORS
SP850-V2X2	21.00" x 9.76" x 2.73"-11.18" (533 x 248 x 69-284mm)	20lb (9kg)	150lb (68kg)	TGIC Powder Coat	Black

**Package Specifications**

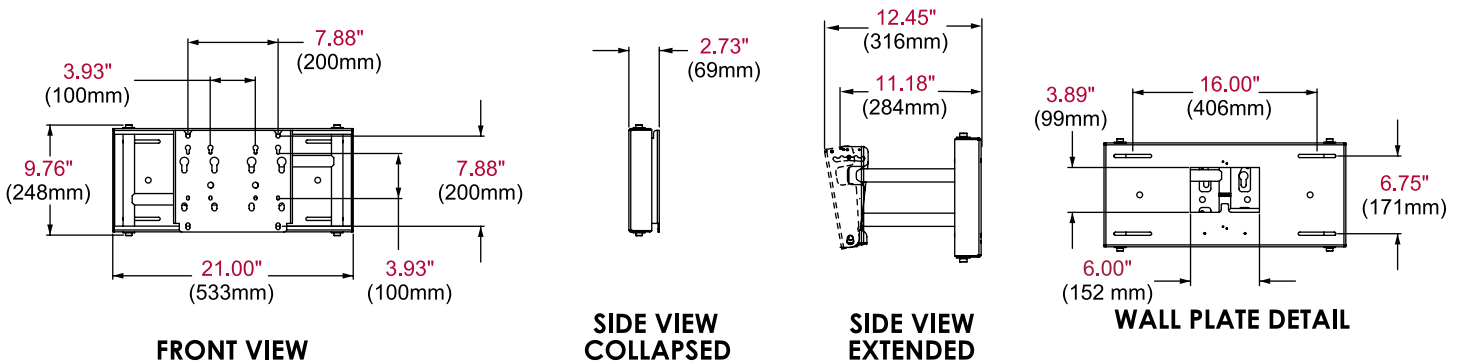
	PACKAGE SIZE (W x H x D)	PACKAGE SHIP WEIGHT	PACKAGE UPC CODE	PACKAGE CONTENTS	UNITS IN PACKAGE
SP850-V2X2	12.00" x 4.69" x 33.00" (305 x 119 x 838mm)	25lb (11.4kg)	735029283379	Wall Mount Assembly, LockKey™ Installation Tool, Locking Tab, Cable Management Sleeve, Fastener Pack and VESA® 200 x 200mm Adaptor	1

**Accessories**

**ACC-UCM:** Universal AV Component Mount  
**PLP-UNM:** Universal I-Shaped Adaptor for 22" to 50" Displays  
**PLP-UNL:** Universal I-Shaped Adaptor for 32" to 90" Displays

**RM12W:** Rotational Mount Interface  
**WSP816/WSP820/WSP824:** Metal Stud Wall Plates

All dimensions = inch (mm)



**Architect Specifications**

The Pull-out Pivot Wall Mount shall be a Peerless-AV model SP850-V2X2 and shall be located where indicated on the plans. Assembly and installation shall be done according to instructions provided by the manufacturer.

Visit [peerless-av.com](http://peerless-av.com) to see the complete line of AV solutions from Peerless-AV, including outdoor displays, wireless, kiosks, digital audio, display mounts, projector mounts, carts/stands, and a full assortment of accessories.

**Peerless-AV**  
 2300 White Oak Circle  
 Aurora, IL 60502 USA  
**(800) 865-2112**  
**(630) 375-5100**  
**Fax: (800) 359-6500**

**Peerless-AV EMEA**  
 Unit 3 Watford Interchange  
 Colonial Way, Watford  
 Herts, WD24 4WP  
 United Kingdom  
**+44 (0) 1923 200100**  
**Fax: +44 (0) 1923 200101**

**Peerless-AV Latin America**  
 Ave de las Industrias 413  
 Parque Industrial Escobedo  
 Escobedo, N.L.,  
 Mexico 66062  
**+52 (81) 8384-8300**  
**Fax: +52 (81) 8384-8360**

