

PCASXJMK100-W

Casio XJM Mount Enclosure Kit 1m

Dedicated Casio XJM Series Mount

With the advent of the XJM Series projectors from Casio, Peerless-AV® has developed a range of mounting solutions that feature a dedicated enclosure to protect the projector from damage and theft, while complementing its clean aesthetics.

This enclosure is designed to conceal the projector from all sides yet provide ample access for all input points and ventilation. The PCASXJMK100-W offers a comprehensive solution for installing the Casio projector by providing a quick and clean installation, whether it is mounted to a flat or sloping ceiling, a cuttable pole allowing any drop length up to 1m long and post-installation adjustment to provide perfect image alignment on to the projector screen.



FEATURES

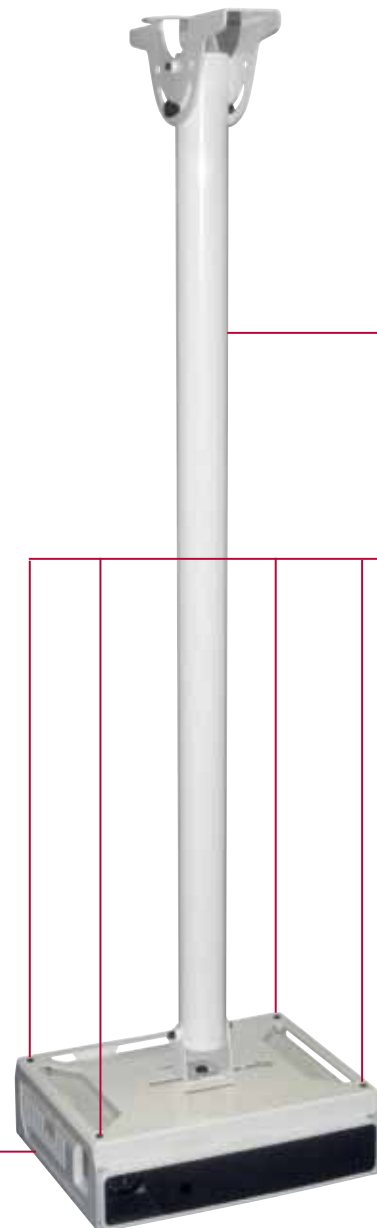
- Protective enclosure provides physical as well as visual security measures
- Security screws provided for added theft resistance
- Ventilation to ensure optimal projector operation
- Access for all projector input connection points
- 1m x 50mm diameter pole, cuttable to desired length
- ±35° tilt, 360° swivel
- ±50mm lateral adjustment
- Internal cable management for clean aesthetics



Dedicated



Dedicated



- **1M CUTTABLE POLE**
50mm diameter pole cuttable to desired length

- **INCLUDES SECURITY SCREWS**
at each connection point surrounding projector for theft deterrence

DEDICATED AESTHETIC ENCLOSURE
to protect Casio XJM Series projector



Ventilation cut-outs



Full access to projector controls

PCASXJMK100-W: Casio XJM Mount Enclosure Kit 1m

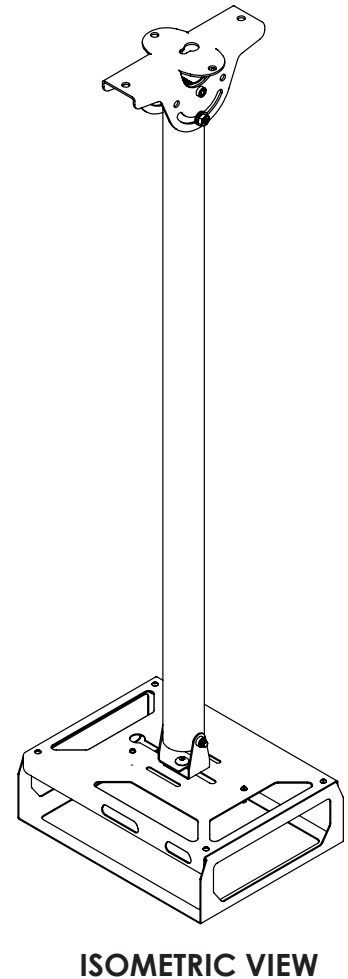
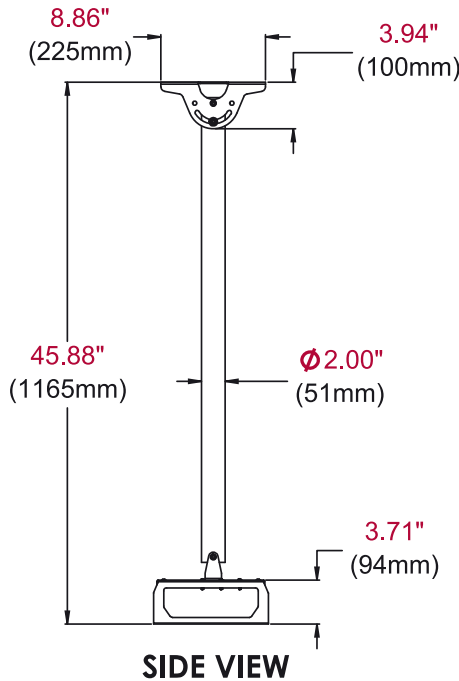
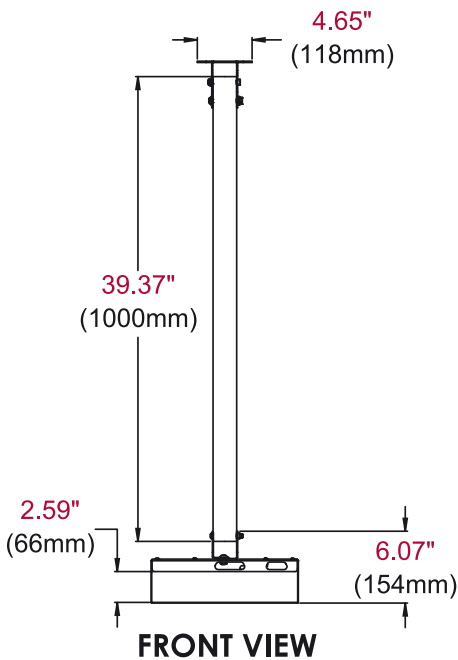
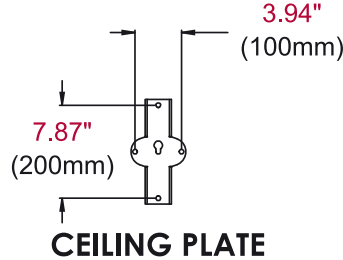
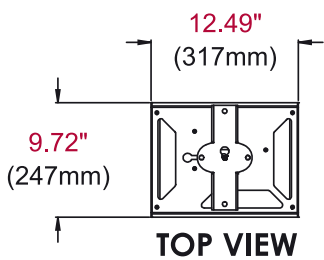
Product Specifications

	DIMENSIONS (W x H x D)	PRODUCT WEIGHT	LOAD CAPACITY	FINISH	AVAILABLE COLORS
PCASXJMK100-W	317 x 1165 x 247mm (12.49 x 45.88 x 9.72")	4.1kg (9.1lbs)	Dedicated	White powder coat paint	White

Package Specifications

	PACKAGE SIZE (W x H x D)	PACKAGE SHIP WEIGHT	PACKAGE UPC CODE	PACKAGE CONTENTS	UNITS IN PACKAGE
PCASXJMK100-W	454 x 127 x 1200mm (17.88" x 5" x 47.25")	7.48kg (16.5lbs)	735029294597	Instructions, 1m pole, Casio XJM Flush Mount enclosure assembly, ceiling plate, hardware	1

All dimensions = inch (mm)



ARCHITECTS SPECIFICATIONS

The Casio XJM Mount Enclosure Kit 1m shall be a Peerless-AV model PCASXJMK100-W and shall be located where indicated on the plans. It shall feature white powder coat paint finish. Assembly and installation shall be done according to instructions provided by the manufacturer.