

MOD-CPF

Modular Series Square Ceiling Plate, Flat

For Modular Series Flat Panel Display and Projector Mounts

The Peerless-AV Modular Mounts Line features a full range of products that can fulfill multiple requirements from a limited number of SKUs. With the universality of the components, configure your own perfect custom flat-panel display or projector mounting solution for any application.

The Modular Mount Line was developed with the professional AV installer in mind. Designed around a 2" (50mm) diameter pole, the line is ideal for new projects as well as for upgrading existing installations.

The MOD-CPF provides a solution for mounting direct to concrete and wood joists.



Max load: 374lb (170kg)

FEATURES

- Heavy duty flat ceiling plate
- Mounts to concrete and wood joist ceilings
- 374lb (170kg) max weight capacity



Shown with Modular Series Projector Mount with MOD-ACF



Shown with Modular Series Flat Panel Mount with MOD-ACF



MOD-CPF Modular Series Square Ceiling Plate, Flat for Modular Series Flat Panel Display and Projector Mounts

Product Specifications

	DIMENSIONS (W x H x D)	PRODUCT WEIGHT	LOAD CAPACITY	FINISH	AVAILABLE COLORS
MOD-CPF	6.89" x 3.93" x 7.48" (175 x 100 x 190mm)	2.5lb (1.1kg)	374.0lb (170kg)	Power coat	Black

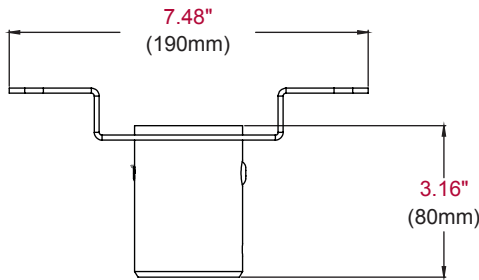
Package Specifications

	PACKAGE SIZE (W x H x D)	PACKAGE SHIP WEIGHT	PACKAGE UPC CODE	PACKAGE CONTENTS	UNITS IN PACKAGE
MOD-CPF	10.00" x 4.25" x 12.63" (254 x 107 x 320mm)	3.7lb (1.7kg)	73502926993	Ceiling plate, mounting hardware	1

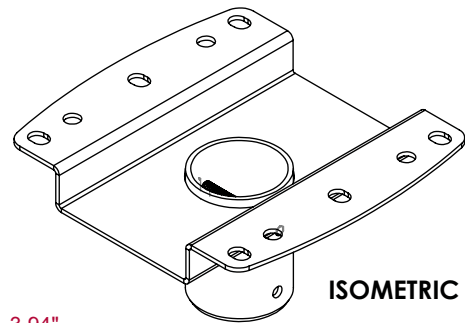
Accessories

- MOD-ACF(-W):** Accessory Cover for MOD-CPF Ceiling Plate
- MOD-ADF:** Accessory Drill Fixture for 50mm Pole
- MOD-APC:** Accessory Pole Coupler
- MOD-APRG(-W):** Accessory Projector Adaptor, PRG Mount
- MOD-APRS(-W):** Accessory Projector Adaptor, PRS Mount
- MOD-ASC:** Accessory Display-Stacking Clamp
- MOD-ATD-W:** Accessory Trim Disc
- MOD-AUB:** Accessory U-Bolt Adaptor
- MOD-CPC(-W):** Ceiling Plate, Cathedral
- MOD-CPI:** I-Beam Ceiling Plate, Flat
- MOD-FPMD:** Flat Panel Mount, Dual Back-To-Back
- MOD-FPMS(-W):** Flat Panel Mount, Single
- MOD-P100(-B):** 50mm Extension Pole - 39" (1.0m)
- MOD-P150(-B):** 50mm Extension Pole - 59" (1.5m)
- MOD-P200(-B):** 50mm Extension Pole - 78" (2.0m)
- MOD-P300(-B):** 50mm Extension Pole - 118" (3.0m)
- MOD-UNL:** Universal Display Adaptor, Large
- MOD-UNM:** Universal Display Adaptor, Medium

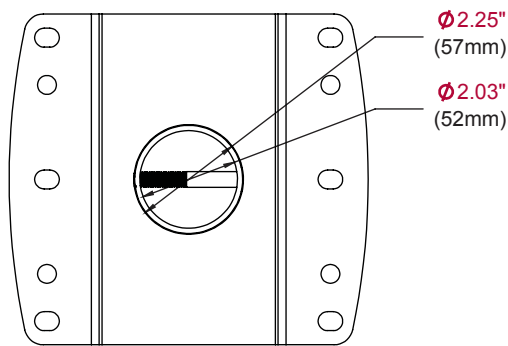
All dimensions = inch (mm)



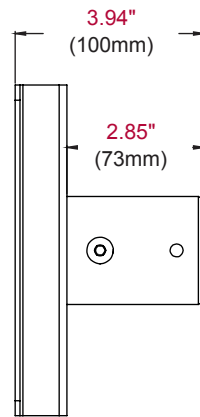
FRONT VIEW



ISOMETRIC VIEW



TOP VIEW



SIDE VIEW

ARCHITECTS SPECIFICATIONS

The Modular Series Square Ceiling Plate shall be a Peerless-AV model MOD-CPF and shall be located where indicated on the plans. Assembly and installation shall be done according to instructions provided by the manufacturer.