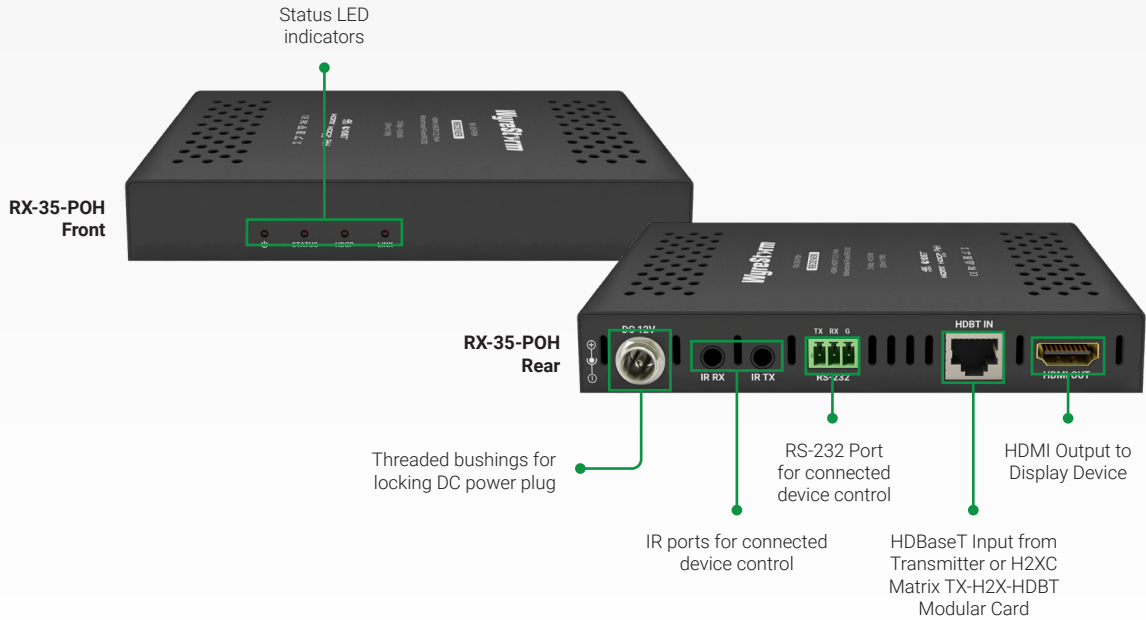


# 4K UHD HDBaseT™ Receiver with Bidirectional IR, RS-232 and PoH (4K: 35m/115ft | 1080p: 70m/230ft)

**RX-35-POH**

# WyreStorm

## Specification Sheet



4K UHD HDBT™ HDMI™ HDCP 2.2 PoH

WyreStorm - Powerful. Reliable. Simple.

## Introduction

Compact Class B HDBaseT receiver supporting 4K HDR transmissions up to 35 meters from a compatible HDBaseT matrix or presentation switcher. 2-way PoH allows the RX-35-POH to power over category cable from a PoH matrix or switcher and also allows for the receiver to power in-wall HDBaseT transmitters.

## Key Features

- Receives 4K UHD HDBaseT transmissions up to 35m/115ft
- Compatible with 4K HDR source content
- Compatible with HDCP 2.2 protected content
- 2-way PoH enabled for convenient PSU-free installation
- RS-232 and IR passthrough for control of peripheral equipment

## In the Box

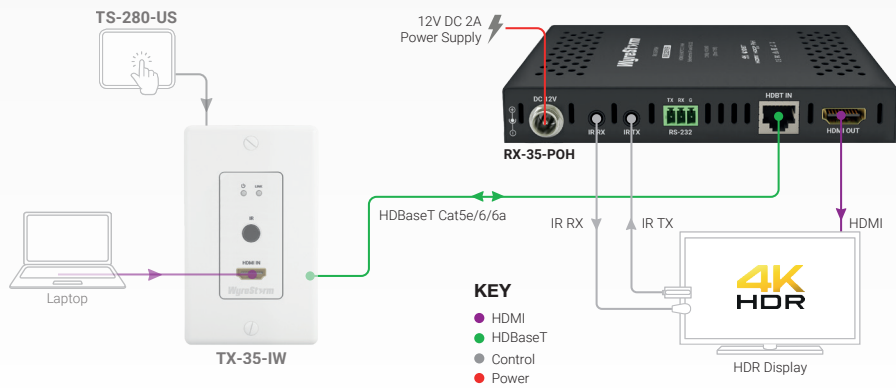
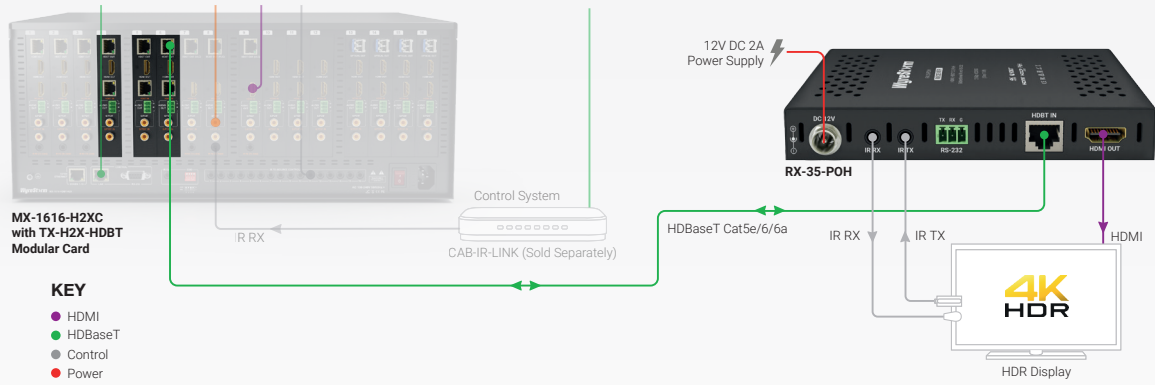
1x RX-35-POH Receiver  
1x 12V 2A Power Adaptor (US, UK, EU, AU)  
1x IR Emitter  
1x IR Receiver

2x Mounting Brackets  
1x 3 Pin Phoenix Male Connector  
1x Quickstart Guide (this document)

# Specifications

Transmission				
Output Video Encoding	HDBaseT Class B			
End to End Latency (Max)	10µs (micro seconds)			
Decoding Data Rate	10.2Gbps			
Audio and Video				
Inputs	1x HDBT In: 8-pin RJ-45 Female			
Outputs	1x HDMI Out: 19-pin type A			
Maximum Pixel Clock	297MHz			
Video Resolutions (Max)	Video Resolution	HDMI	Cat6	Cat6a/7
	1920x1080p @60Hz	15m/49ft	70m/230ft	70m/230ft
	3840x2160p @60Hz 8bit 4:2:0	5m/16ft	35m/115ft	35m/115ft
	3840x2160p @24Hz 10bit 4:2:0 HDR	5m/16ft	35m/115ft	35m/115ft
	4096x2160p @60Hz 8bit 4:2:0	5m/16ft	35m/115ft	35m/115ft
<b>Note:</b> WyreStorm recommends the use of shielded category cable to minimize signal noise and interference				
Supported Standards	DCI   RGB   HDR10   BT.2020			
Audio Formats	2ch PCM   Up to DTS-X and Dolby Atmos			
Maximum Sampling Rate	192KHz			
Communication and Control				
HDMI	v2.0 TMDS   HDCP 2.2   EDID   DVI/D Supported with adapter			
HDBaseT	HDCP 2.2   EDID   PoH 2-way   Bidirectional IR, RS-232			
IR	1x IR TX 3.5mm (1/8in) Mono   1x IR RX 3.5mm (1/8in) Stereo   Bidirectional over HDBaseT			
RS-232	1x 3-pin Phoenix Connector   Bidirectional over HDBaseT			
Power				
Power Supply	12V DC 2A (Optional)			
Max Power Consumption	9.3W			
Power-over-HDBaseT (PoH)	2-way			
Environmental				
Operating Temperature	0 ~ +45°C (32 ~ +113 °F), 10% ~ 90%, non-condensing			
Storage Temperature	-20 ~ +70°C (-4 ~ +158 °F), 10% ~ 90%, non-condensing			
Maximum BTU/hr	31.7 BTU/hr			
Dimensions and Weight				
Rack Units/Wall Box	<1U			
Height	21mm/0.82in			
Width	140mm/5.5in			
Depth	80mm/3.14in			
Weight	0.18kg/0.4lbs			
Regulatory				
Safety and Emission	CE   FCC   RoHS   RCM   EAC			

# Right Product for the Right Application.



**Note:** WyreStorm reserves the right to change product specification, appearance or dimensions of this product at any time without prior notice.