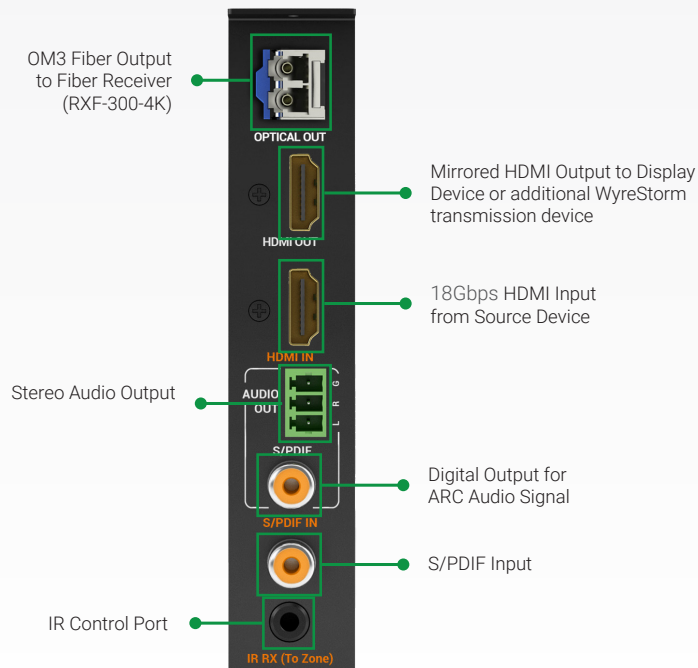


# 18Gbps HDMI-Over-MultiMode Fiber Modular Card for H2X Matrix with Audio DSP (2160p 4:4:4/60: 300m/984ft | 1080p: 300m/984ft)

**TX-H2X-OM3**

**WyreStorm**

**Specification Sheet**



**4K HDR** **2160p 4:4:4 60** **HDMI** **HDCP 2.2**

*WyreStorm - Because the Technology Matters.*

## Introduction

With fiber optic cable now more accessible than ever thanks to lower costs and easy field-termination, there's never been a better time to "see the light" and send the highest possible bandwidth that currently exists according to the HDMI 2.0 specification over distances up to 300m/984ft. Attenuation and airborne interference are no longer a concern for HDMI content so, go long!

## Key Features

- 18Gbps HDMI input
- Optical OM3 Output - Transmitting the full 18Gbps bandwidth that the current version of HDMI is capable of producing, which includes video, audio, control and power up to and astonishing 300m/984ft of 2160p 4:4:4/60 and 100m/328ft of 1080p over fiber optic cable.
- HDMI Output - Mirrored to Fibre output to allow additional connection of a local display device, AVR or to extend with a hybrid active optical HDMI cable (HAOC)
- Stereo Audio Output - Offering stereo audio breakout of a zone with a 3-pin phoenix connector for analog audio
- S/PDIF output supporting 5.1 audio content de-embedded from sources or ARC from connected zones
- S/PDIF Audio Input - Another way to inject digital audio to take advantage of the H2X platform's powerful audio matrix and DSP.
- IR RX - Allows control signals to be sent to the sink device

## In the Box

- 1x TX-H2X-OM3 Modular Card

# Specifications

Audio and Video			
<b>Inputs</b>	1x HDMI In: 19-pin type A   1x S/PDIF In: S/PDIF Coaxial Digital		
<b>Outputs</b>	1x HDMI Out: 19-pin type A   1x Optical Out: SFP+   1x Audio Out: 3-pin Phoenix   1x S/PDIF Out: S/PDIF Coaxial Digital		
<b>Output Video Encoding</b>	TMDS over fiber		
<b>Encoding Data Rate</b>	10Gbps		
<b>Audio Formats</b>	S/PDIF: 2ch PCM   Multichannel: Up to 5.1 DTS and Dolby Digital HDMI: 2ch PCM   Multichannel: LPCM and Up to DTS-X and Dolby Atmos		
<b>Video Resolutions (Max)</b>	<b>Resoluton</b>	<b>HDMI</b>	<b>MM OM3</b>
	1920x1080p @60Hz 12bit	15m/49ft	300m/984ft
	1920x1080p @60Hz 16bit	7m/23ft	300m/984ft
	3840x2160p @60Hz 10bit 4:2:0 HDR	3m/10ft	300m/984ft
	3840x2160p @30Hz 8bit 4:4:4	7m/23ft	300m/984ft
	4096x2160p @60Hz 8bit 4:2:0	7m/23ft	300m/984ft
4096x2160p @60Hz 8bit 4:4:4	7m/23ft	300m/984ft	
<b>Supported Standards</b>	DCI   RGB   HDR   HDR10   Dolby Vision up to 30Hz   HLG   BT.2020   BT.2100		
<b>Maximum Pixel Clock</b>	600MHz		
Communication and Control			
<b>HDMI</b>	HDMI   HDCP 2.2   EDID   DVI/D supported with adapter (not included)		
<b>Fiber Multimode</b>	HDMI   HDCP 2.2   EDID   Bidirectional IR/RS-232		
<b>IR</b>	1x IR RX 3.5mm (1/8in) TRS Stereo   Bidirectional over OM3		
<b>RS-232</b>	From Matrix - No Connection on card   Bidirectional over OM3		
Power			
<b>Power Supply</b>	Internal to Matrix		
<b>Max Power Consumption</b>	Matrix Dependent		
Environmental			
<b>Operating Temperature</b>	Matrix Dependent		
<b>Storage Temperature</b>	Matrix Dependent		
<b>Maximum BTU</b>	Matrix Dependent		
Regulatory			
<b>Safety and Emission</b>	Matrix Dependent		

*Right Product for the Right Application.*

