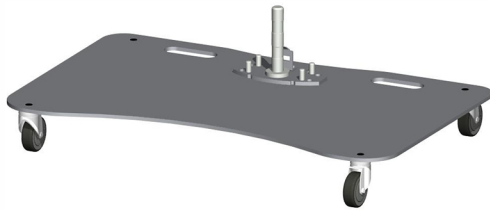


Mounting Instructions

Flat Screen Stand
062.1500 / 062.3500

1

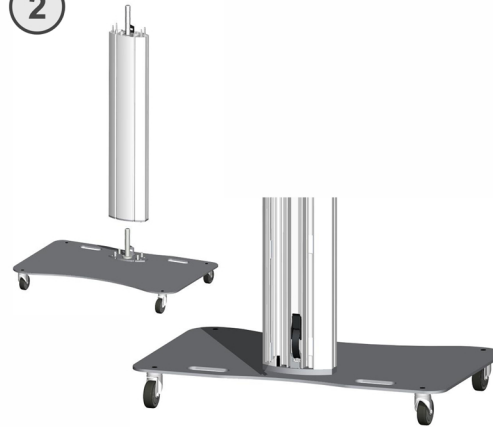
Positioning foot



Place the foot on the right position. Activate the wheel brackets (front wheels).

2

Mounting bottom column

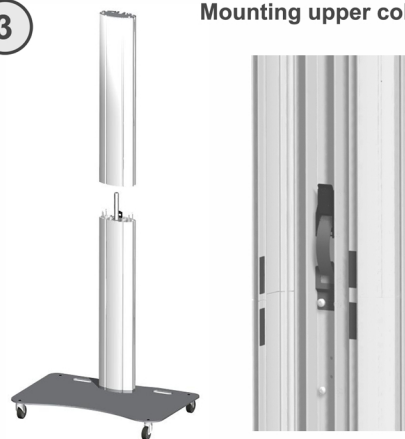


Place the bottom column of the stand (cable duct closed) carefully on the foot plate. Use the latch to secure bottom column to the foot.

Warning!! Dismantling bottom column of stand: first release latch, then close cable duct before removing bottom column.

3

Mounting upper column

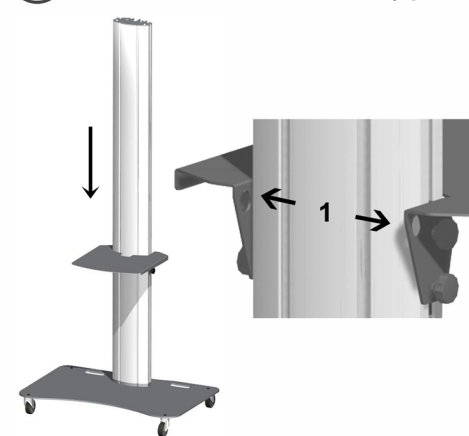


Place the upper column of the stand (cable duct closed) carefully on the bottom column. Use the latch to secure upper column of the stand to the bottom column.

Warning!! Dismantling upper column of stand: first release latch, then close cable duct before removing upper column.

4

Mounting stand platform (optional)



Slide the stand platform from the top downwards by using the T-ducts on both sides of the column. Tight the knobs on the right and left hand site of the platform to fix on a specific height.

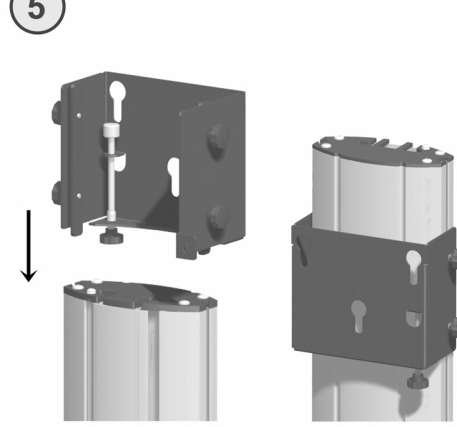
(1) a laptop lock can be attached to the back of the platform

Mounting Instructions

Flat Screen Stand
062.1500 / 062.3500

5

Mounting head of stand

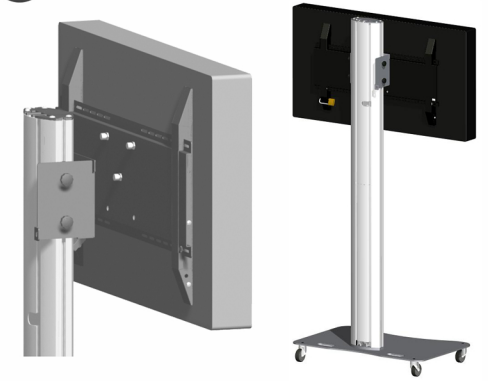


Slide the head of the stand from the top downwards by using the T-ducts on both sides of the column. Tight the knobs on the right and left-hand side of the head to fix on a specific height.

The three mounting slots of the head have to be positioned at the front of the stand.

6

Mounting flat screen



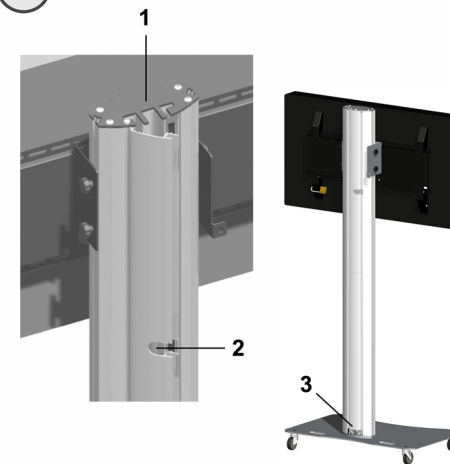
a bracket with three coupling boxes has to be mounted at the back of the flat screen (see specific mounting instructions flat screen brackets)

Link the screen to the head of the stand by using the three points coupling system. Turn the knob on the bottom of the head to level the flat screen.

Change the positions of the coupling boxes on the bracket for a "portrait" set-up of the flat screen.

7

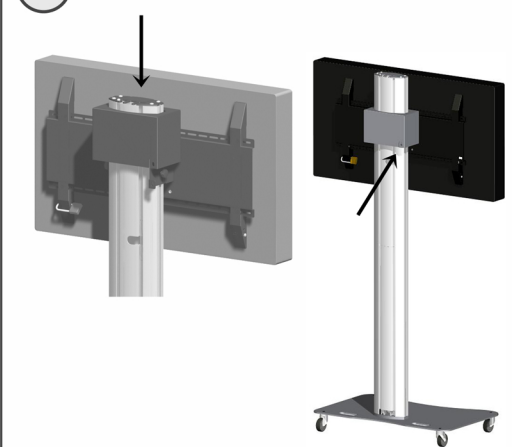
Connect cables



The cables can be guided through the cable duct(s). The cables can come out of the ducts at the top of the column (1) or out of the cover gap (2). The other side of the cables can come out of the bottom end of the column (3). All cable ducts have to be closed.

8

Securing head of stand



Slide the securing profile over the head of the stand (when cables come out of the top of the column the cables must be put firstly through the securing profile). The head of the stand and the securing profile can be locked with an optional anti-theft lock.