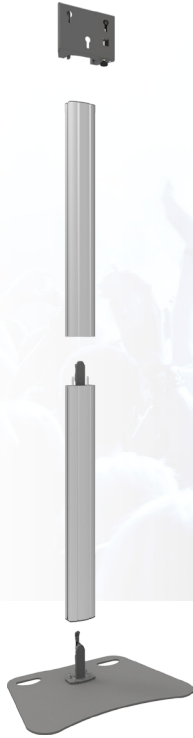


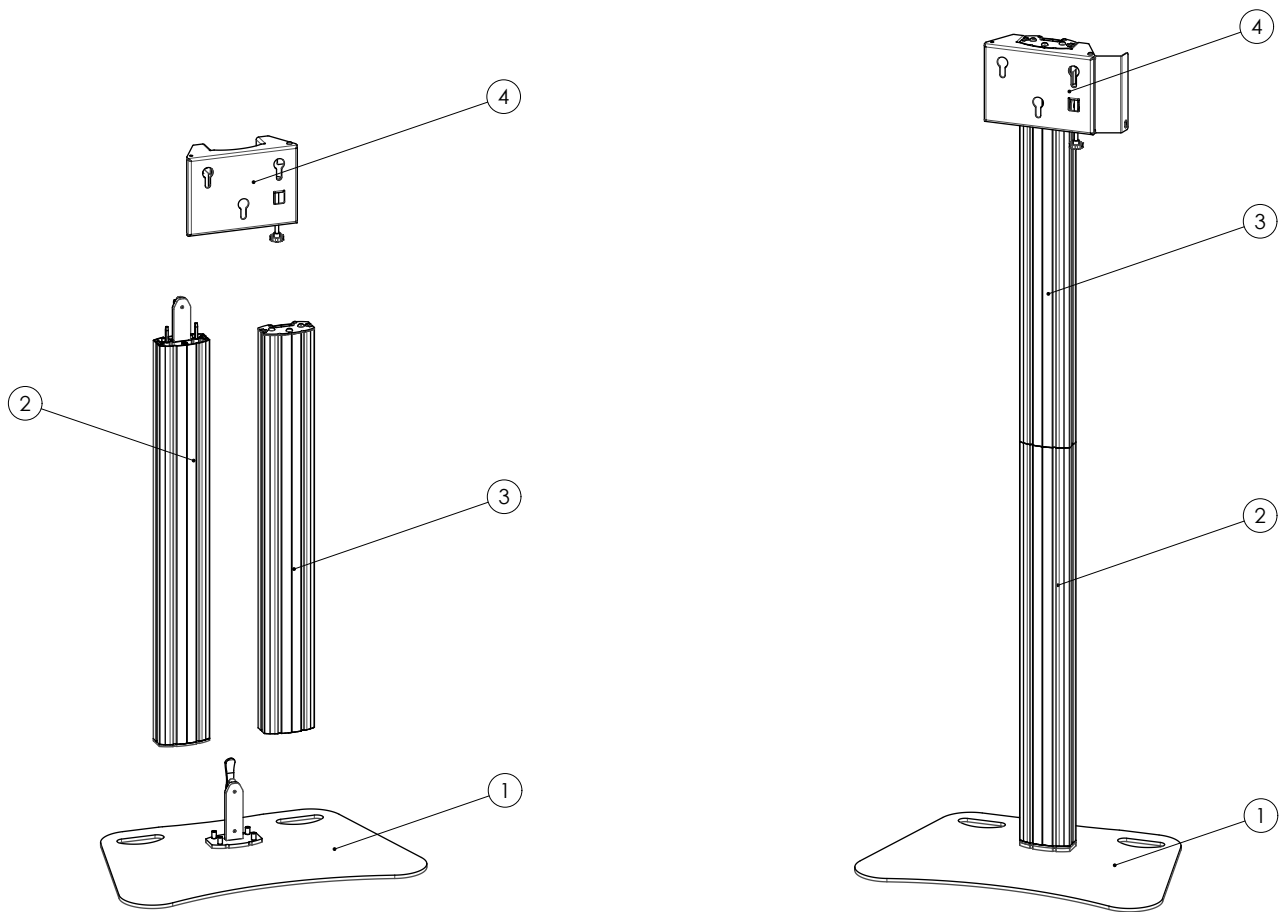
MOUNTING INSTRUCTIONS

062.8000 Fully divisible stand (light series) for display

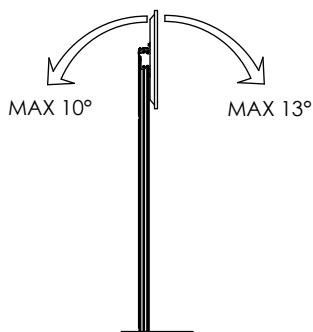


MOUNTING INSTRUCTIONS

MOUNTING INSTRUCTIONS



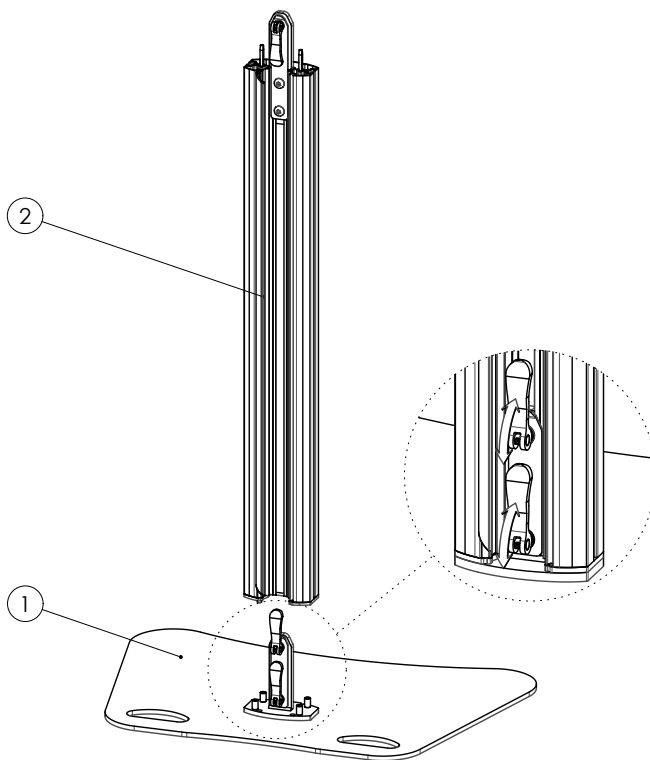
MAX 30kg



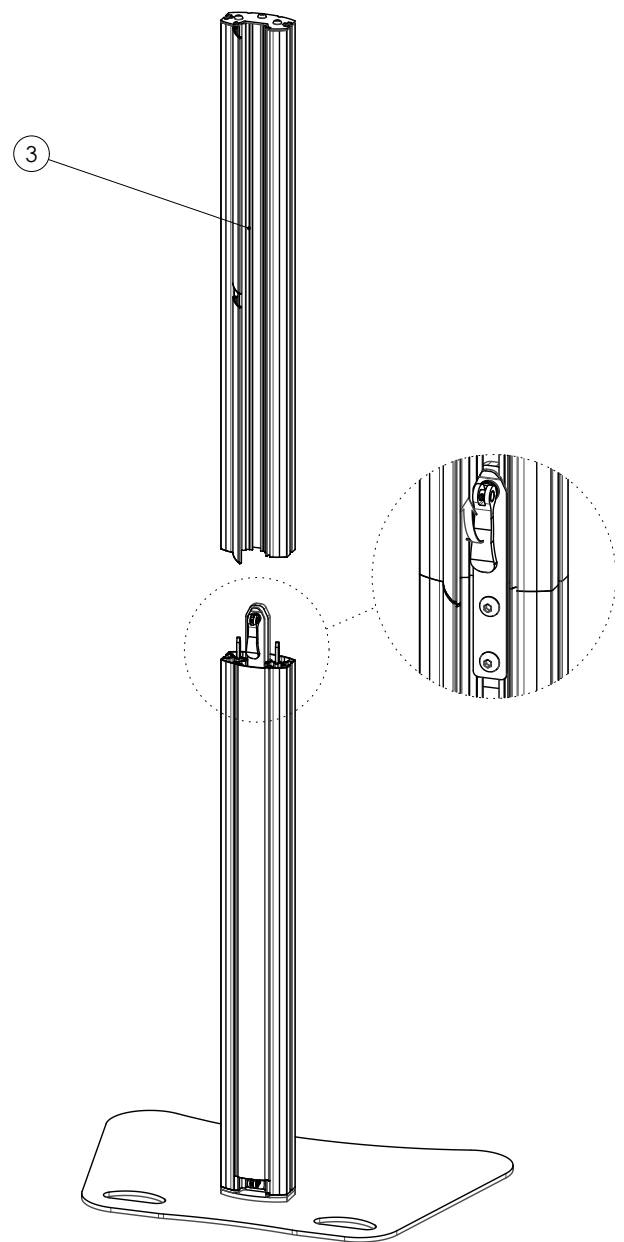
MOUNTING INSTRUCTIONS

MOUNTING INSTRUCTIONS

01



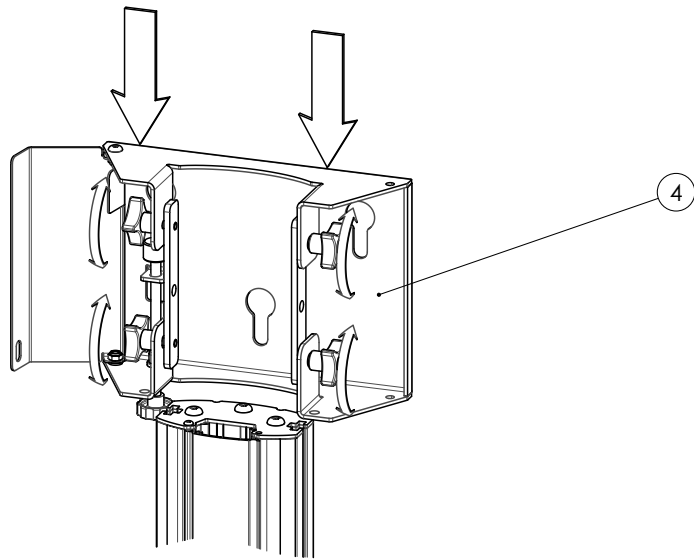
02



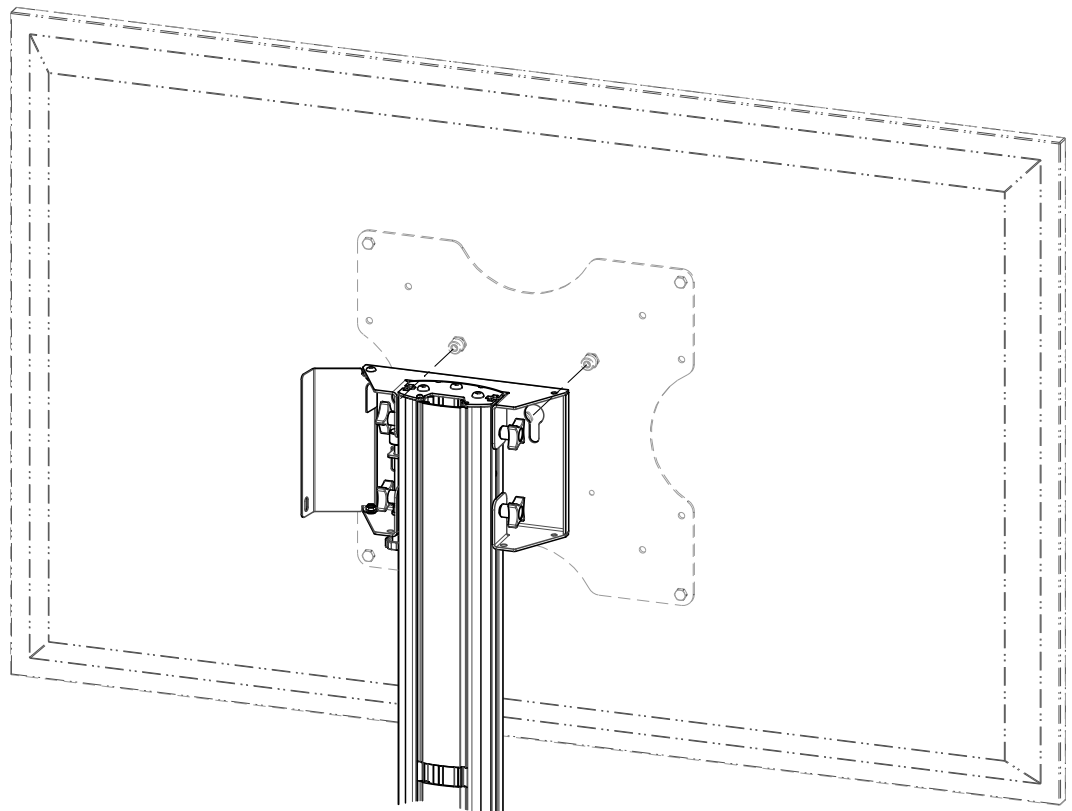
MOUNTING INSTRUCTIONS

MOUNTING INSTRUCTIONS

03



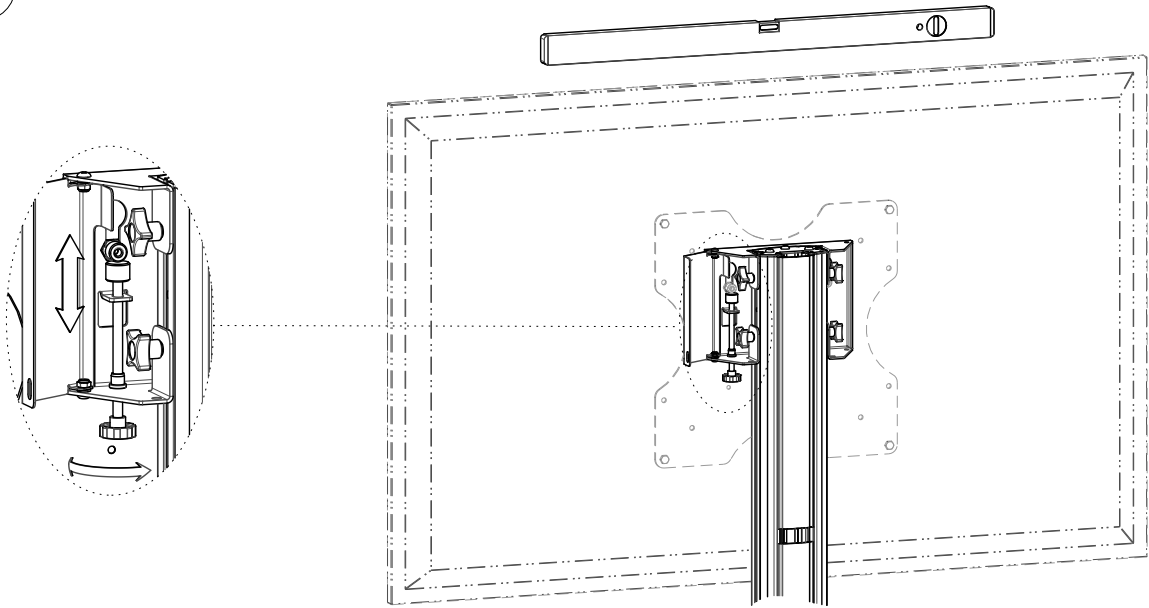
04



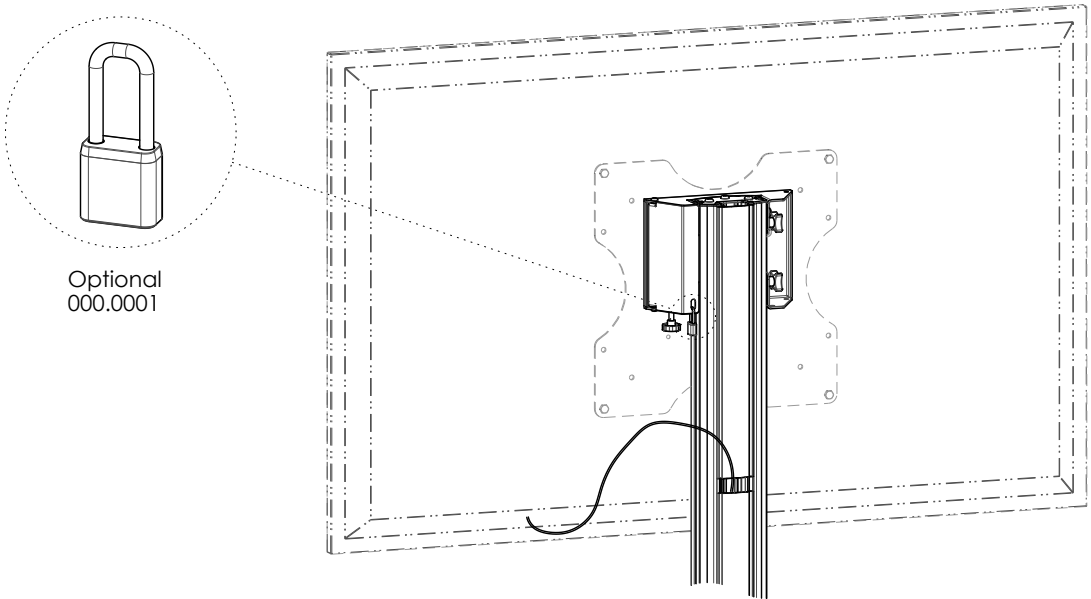
MOUNTING INSTRUCTIONS

MOUNTING INSTRUCTIONS

05



06



CONTACT

SMARTSELECTOR

Find your solution fast and easy with the mobile SmartSelector. Scan the QR code and find your solutions within 3 steps with the mobile SmartSelector

TRY NOW!

SmartMetals Mounting Solutions B.V.
Handelsweg 4
4231 EZ Meerkerk
The Netherlands
P +31 (0)183352942
F +31 (0)183352909

E info@SmartMetals.eu
W www.SmartMetals.eu

