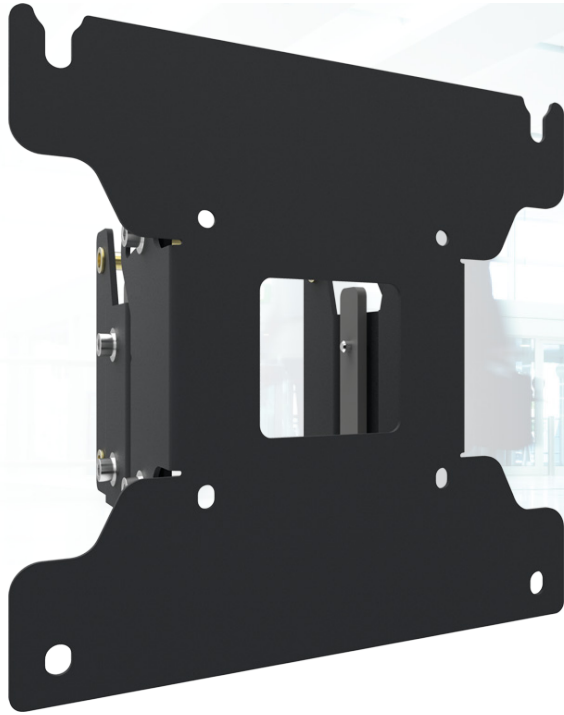


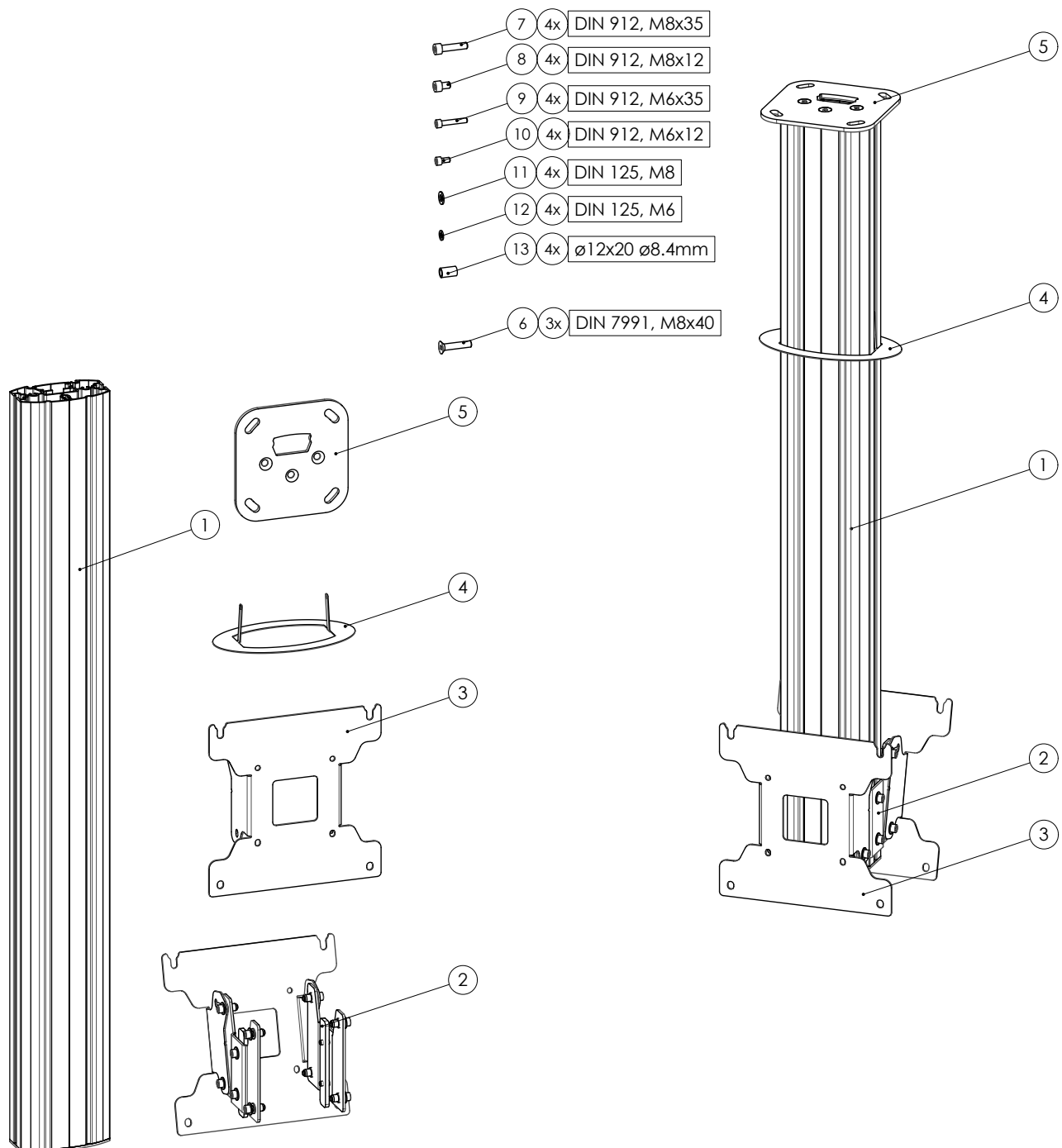
MOUNTING INSTRUCTIONS

072.8000-222 Back to back kit incl. bracket VESA 200



MOUNTING INSTRUCTIONS

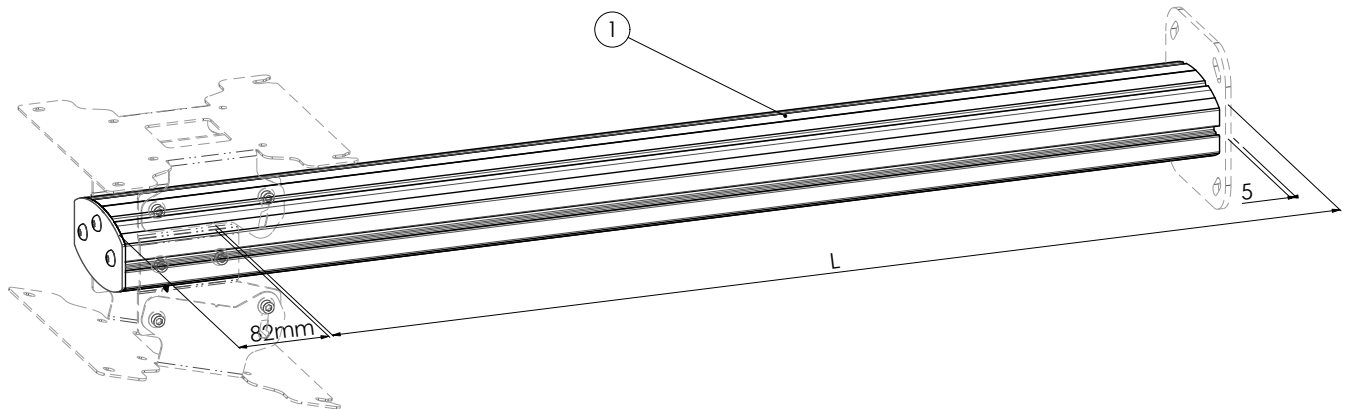
MOUNTING INSTRUCTIONS



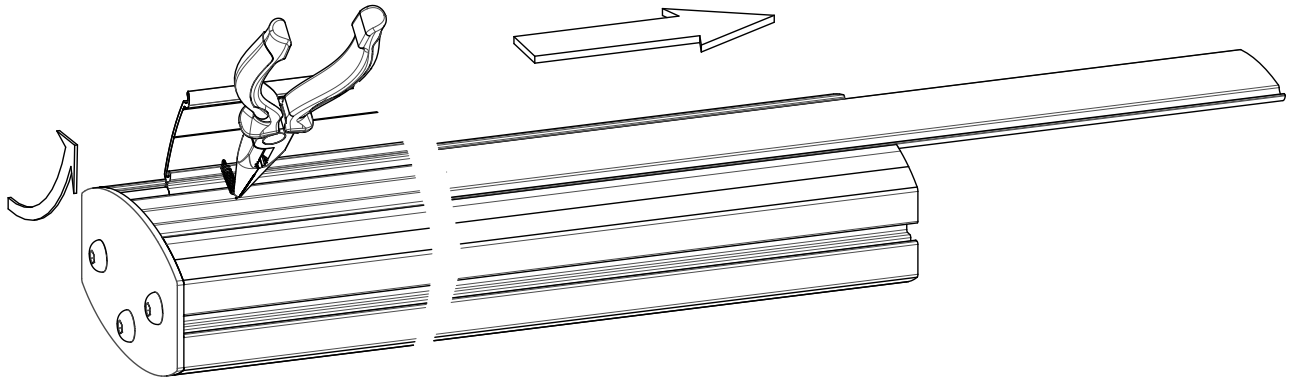
MOUNTING INSTRUCTIONS

MOUNTING INSTRUCTIONS

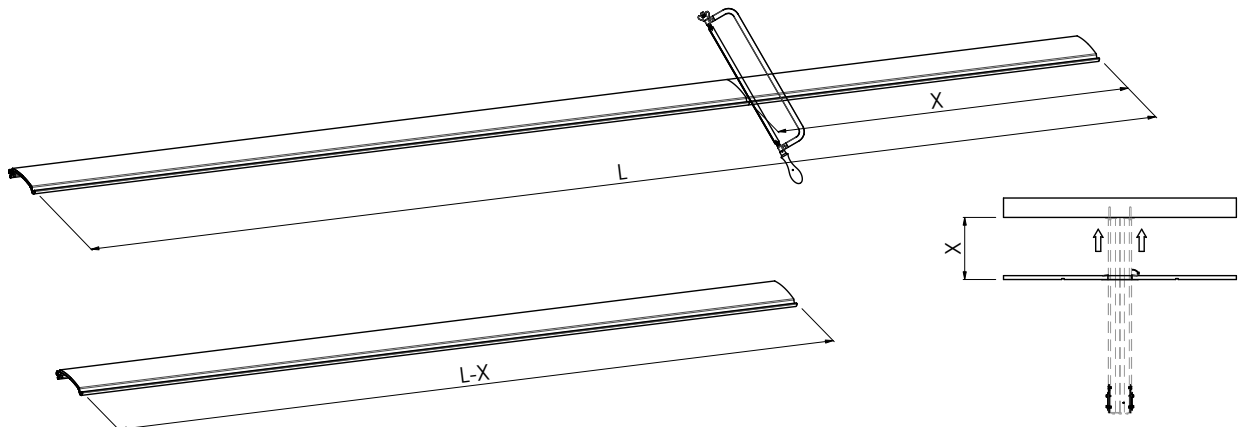
01



02



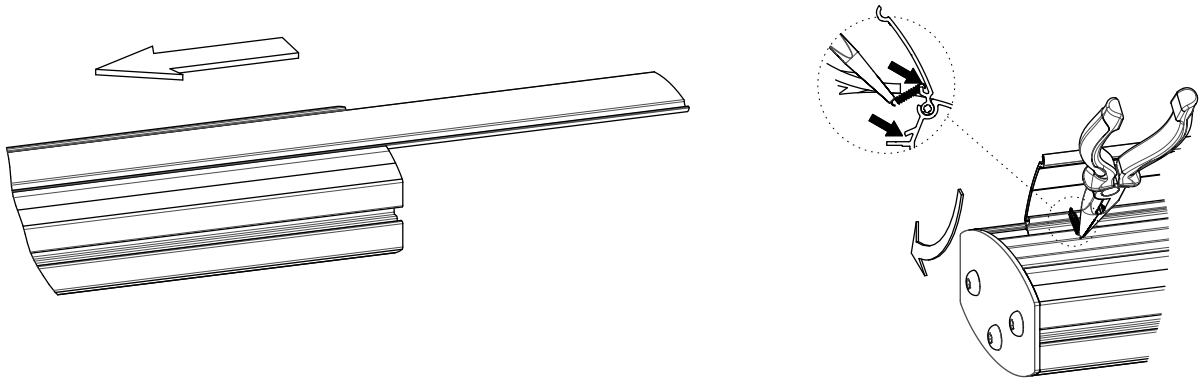
03



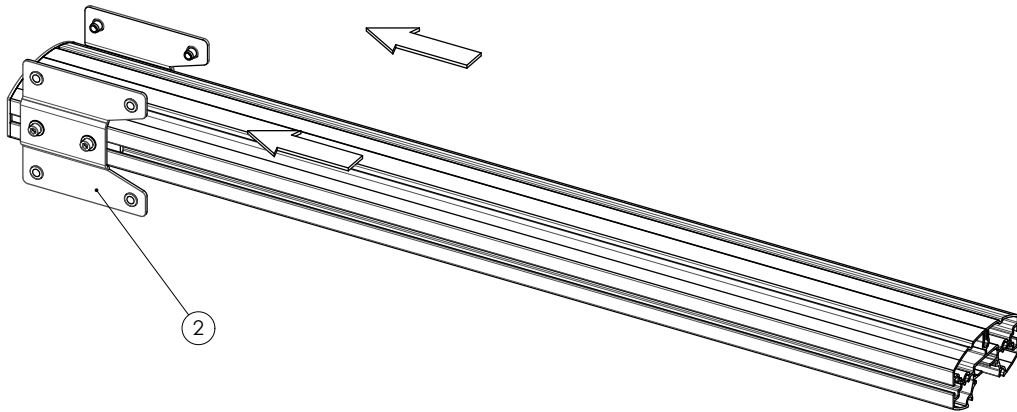
MOUNTING INSTRUCTIONS

MOUNTING INSTRUCTIONS

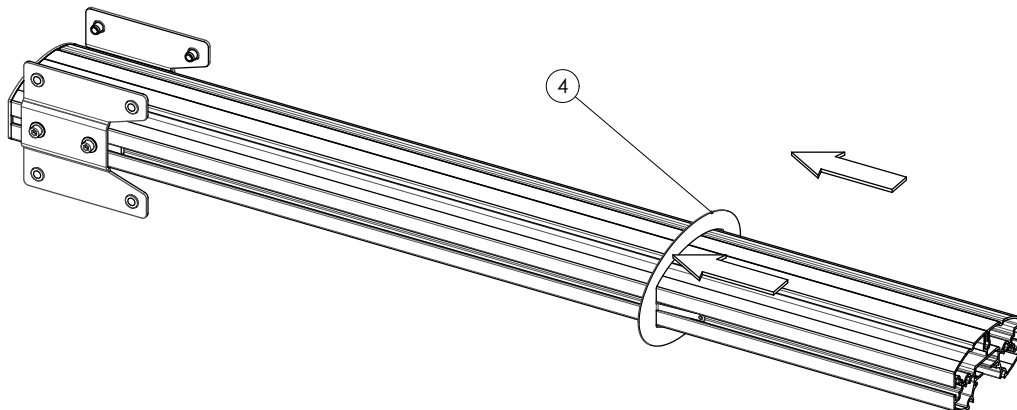
04



05



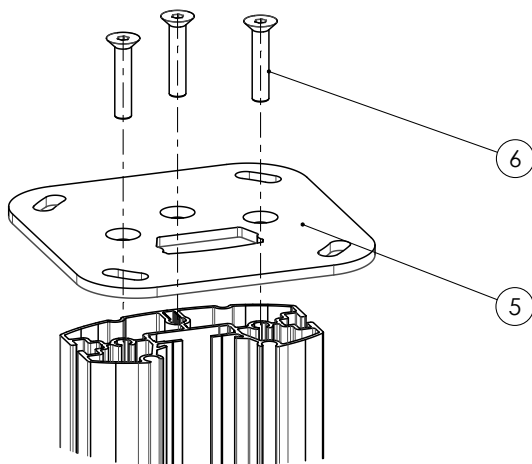
06



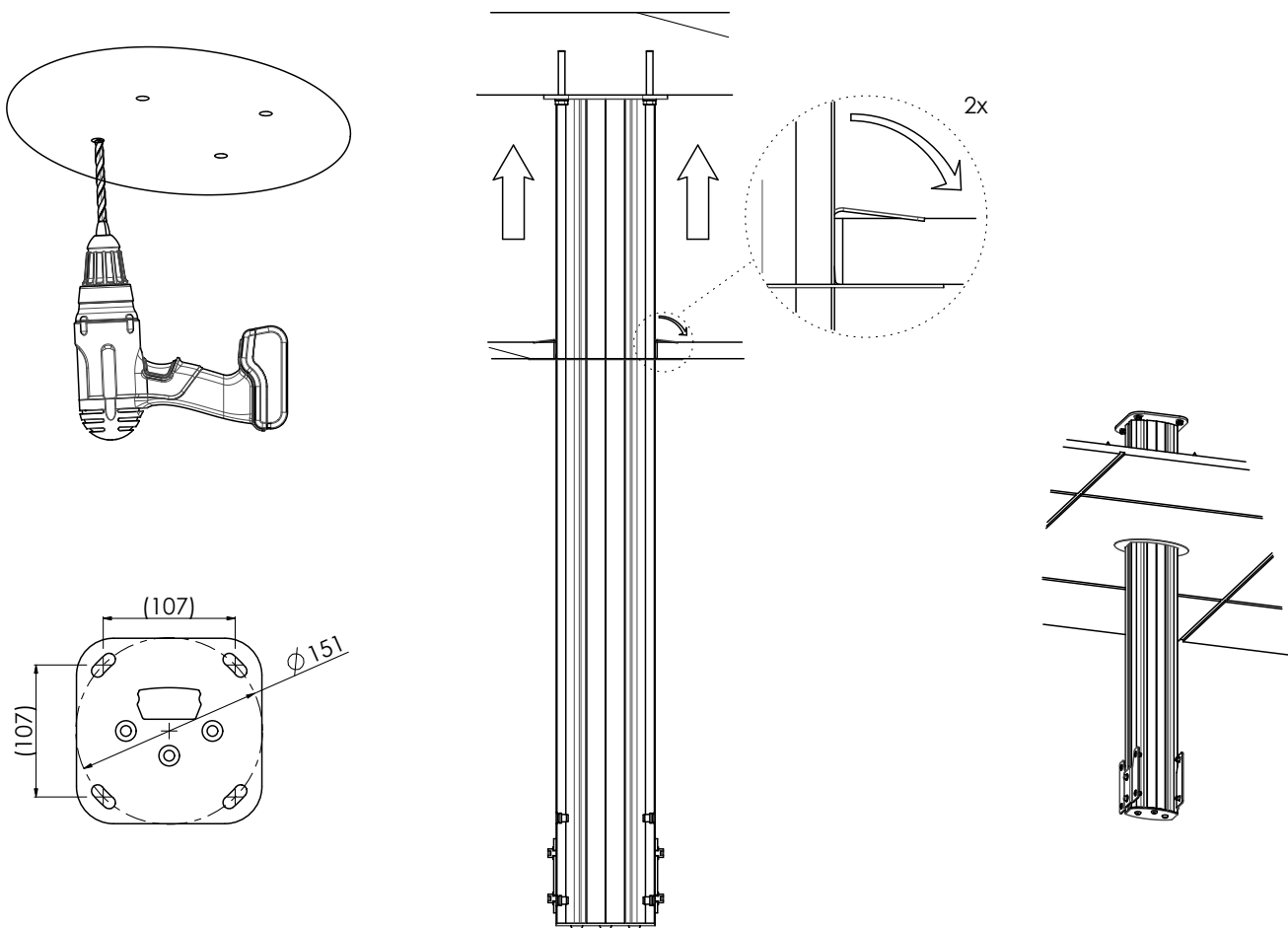
MOUNTING INSTRUCTIONS

MOUNTING INSTRUCTIONS

07



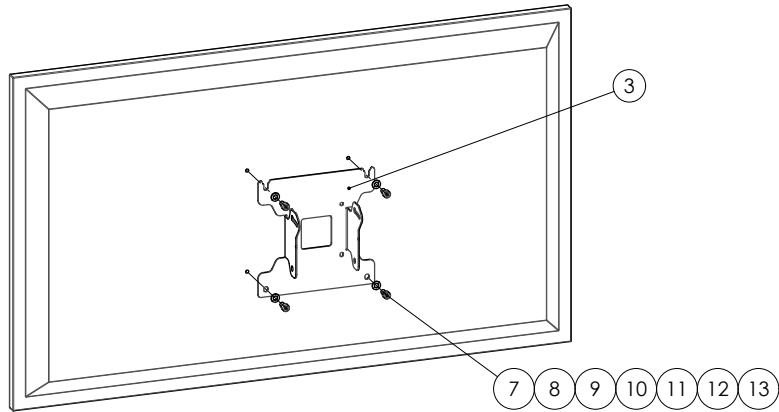
08



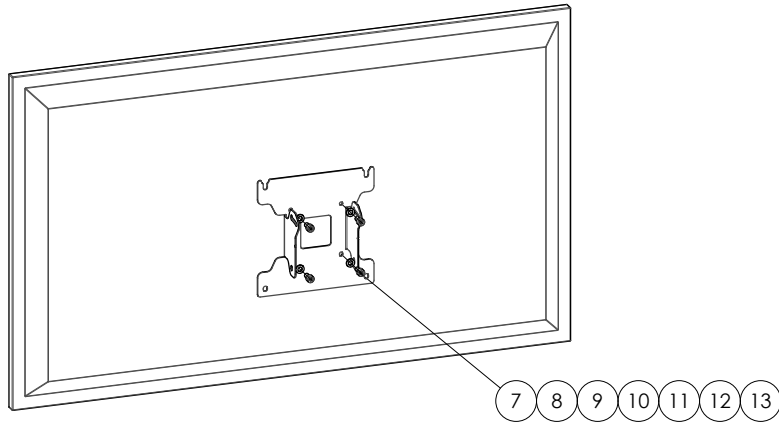
MOUNTING INSTRUCTIONS

MOUNTING INSTRUCTIONS

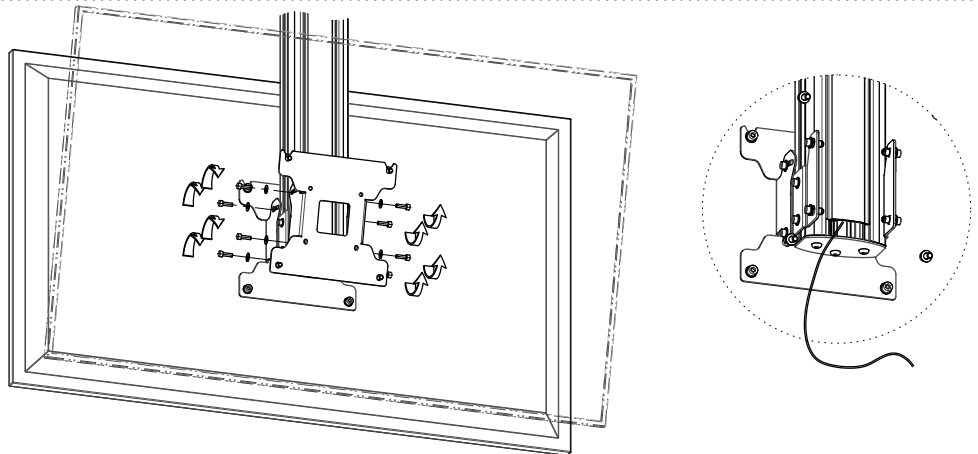
09 VESA 200!



10 VESA 100!



11



CONTACT

SMARTSELECTOR

Find your solution fast and easy with the mobile SmartSelector. Scan the QR code and find your solutions within 3 steps with the mobile SmartSelector

TRY NOW!

SmartMetals Mounting Solutions B.V.
Handelsweg 4
4231 EZ Meerkerk
The Netherlands
P +31 (0)183352942
F +31 (0)183352909

E info@SmartMetals.eu
W www.SmartMetals.eu

