



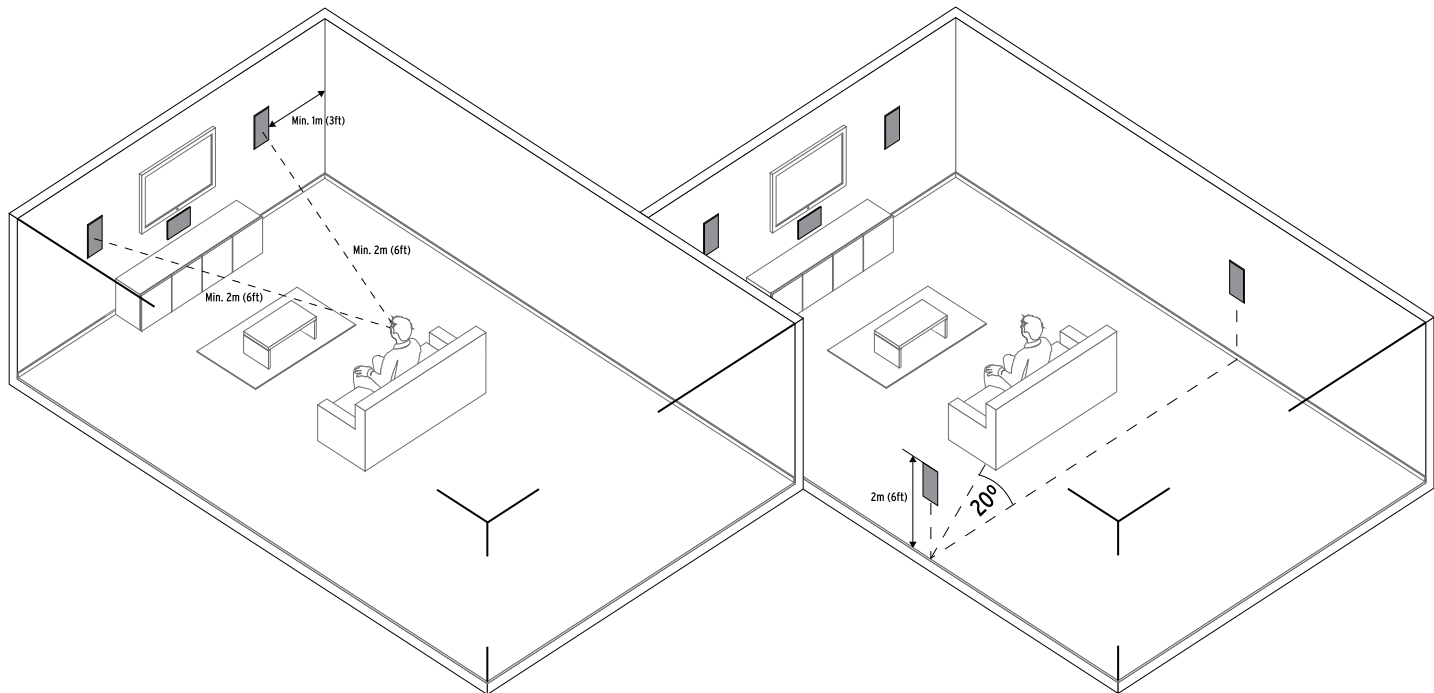
# OWNERS MANUAL

**Klipsch**<sup>®</sup>  
PROFESSIONAL SERIES

**THX**

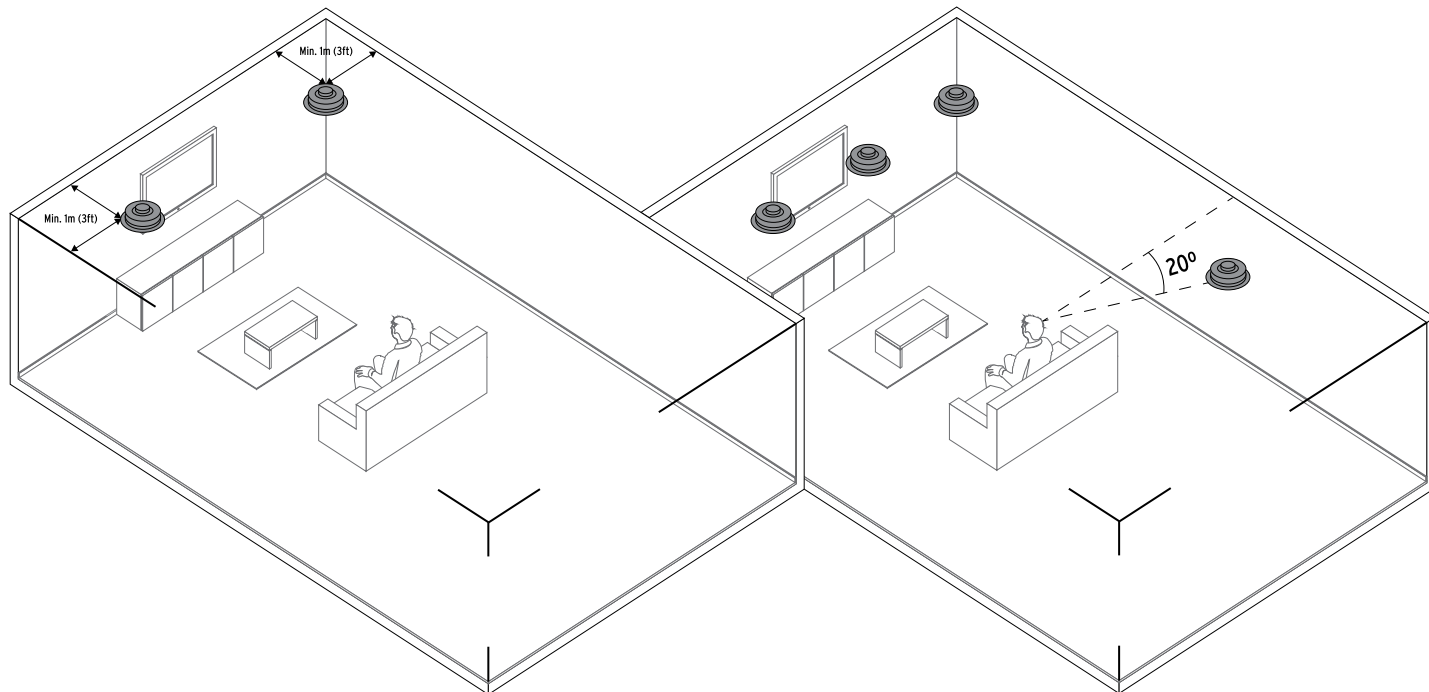
# PLACEMENT

POSITIONNEMENT UBICACIÓN PLATZIERUNG POSIÇÃO COLLOCAZIONE 布置



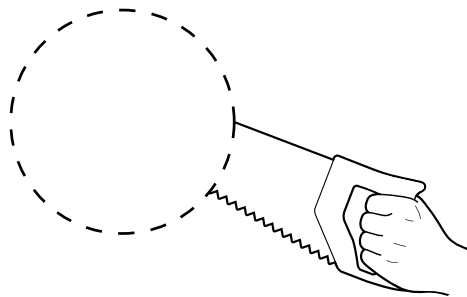
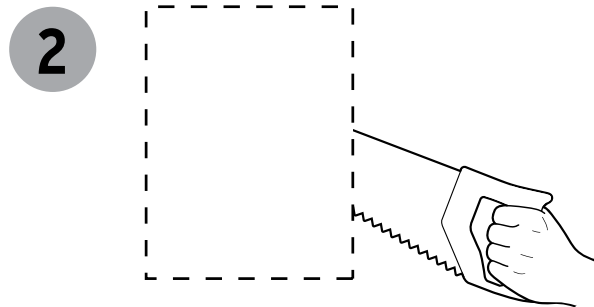
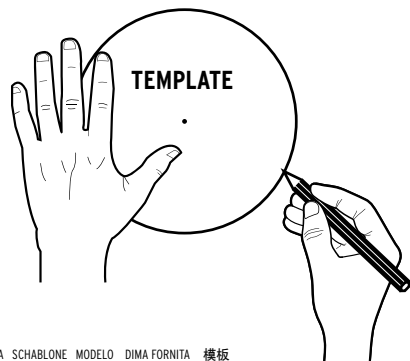
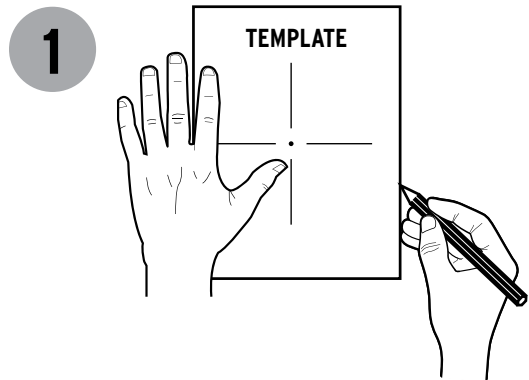
# PLACEMENT

POSITIONNEMENT UBICACIÓN PLATZIERUNG POSIÇÃO COLLOCAZIONE 布置



# CUT OUT

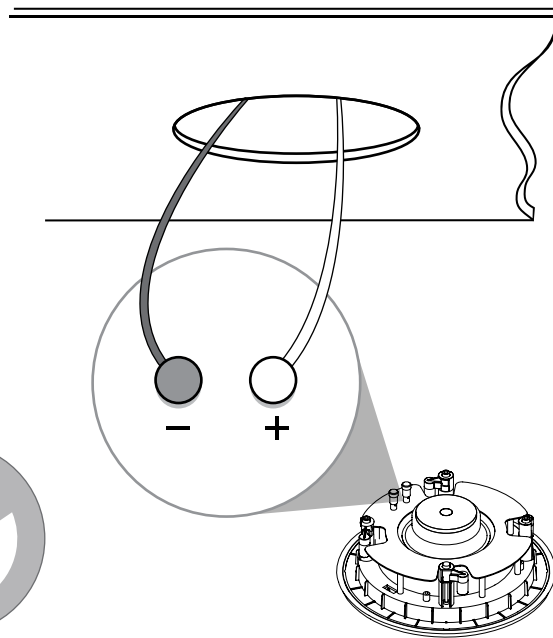
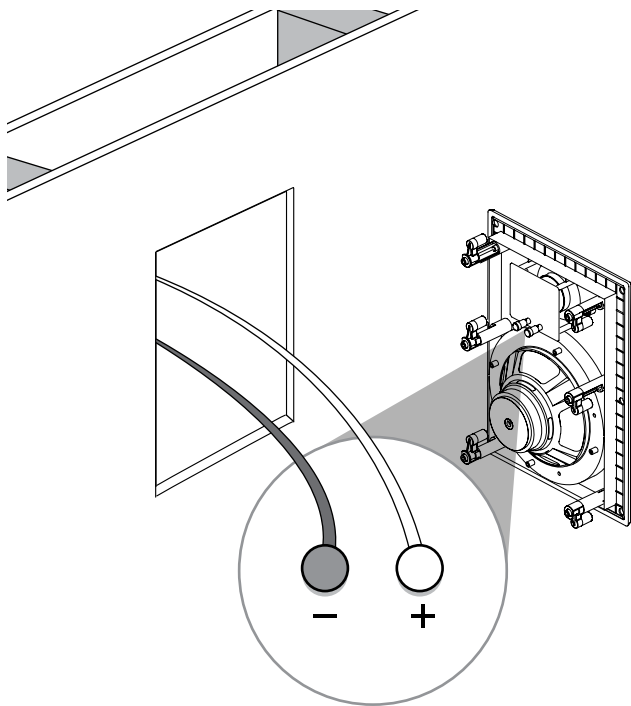
DÉCOUPER SEPARAR AUSGESCHNITTEN RECORTAR RITAGLIARE 剪下



**TEMPLATE**  
GABARIT PLANTILLA SCHABLONE MODELO DIMA FORNITA 模板

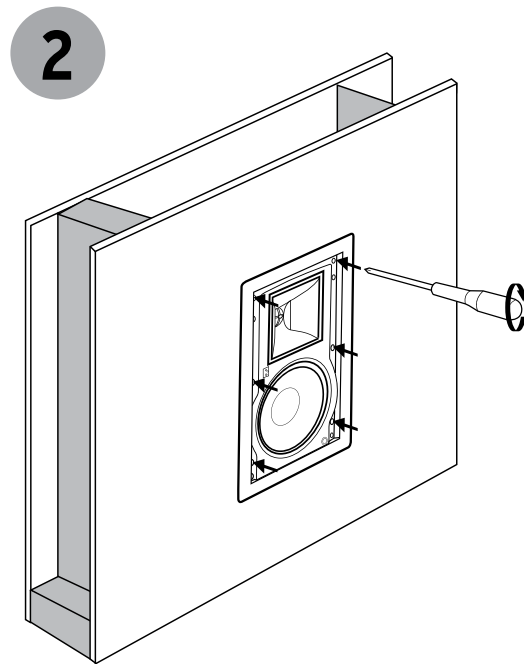
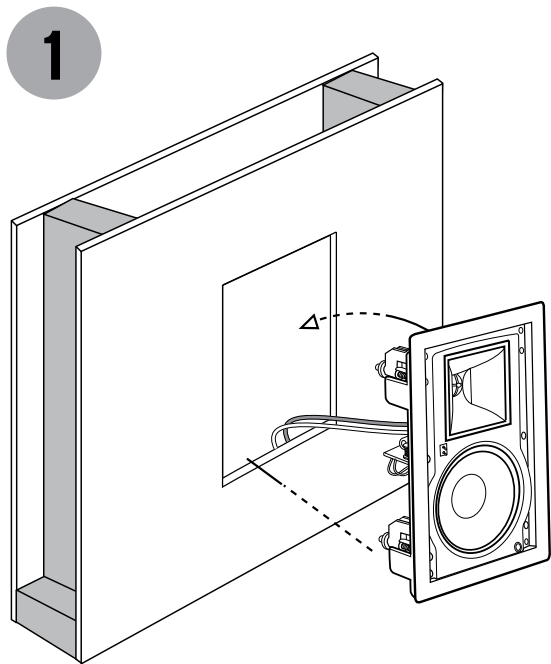
# CONNECTIONS

BRANCHEMENTS CONEXIONES ANSCHLÜSSE CONNESSIONI CONEXÕES 连接



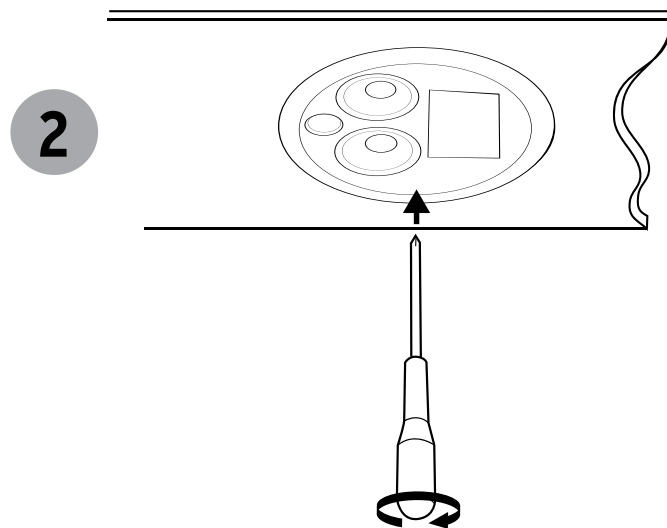
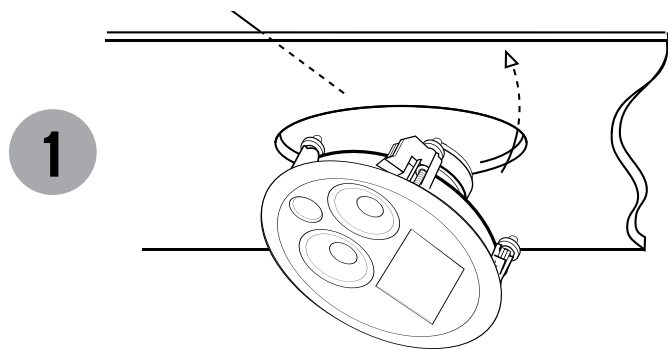
# INSTALLATION

INSTALLATION CONFIGURACIÓN INSTALLATION APPONTAMENTO INSTALAÇÃO 设置



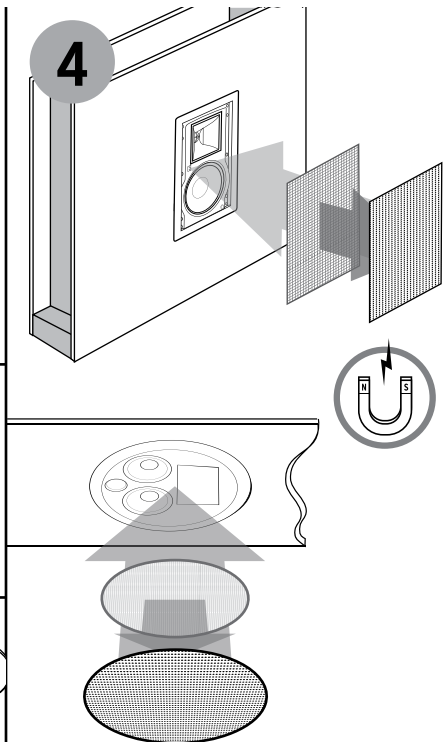
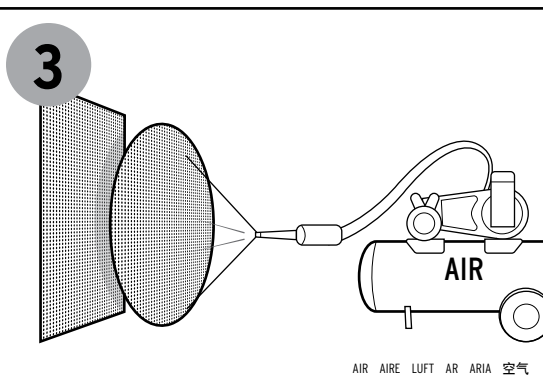
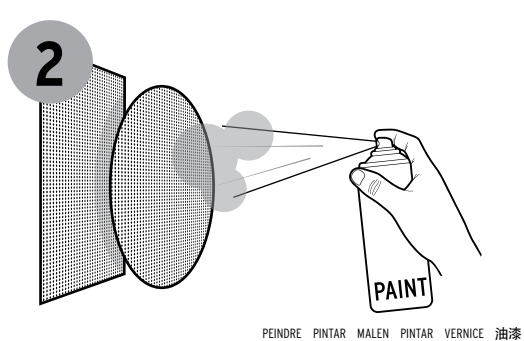
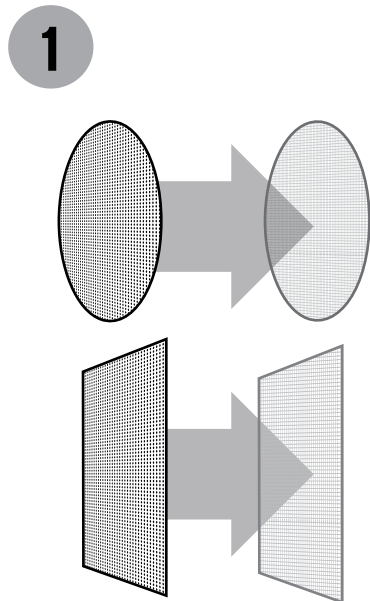
# INSTALLATION

INSTALLATION CONFIGURACIÓN INSTALLATION APPONTAMENTO INSTALAÇÃO 设置



# PAINTING

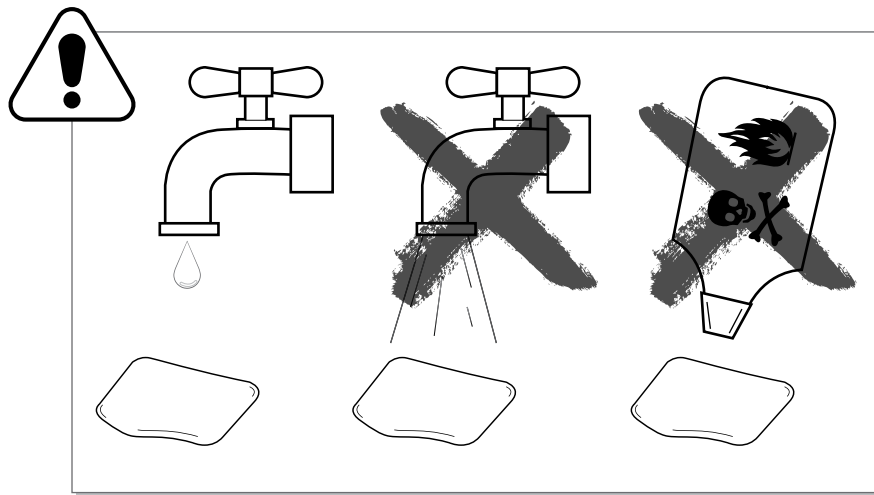
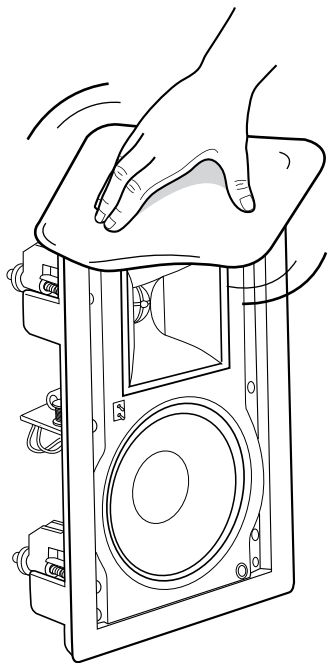
PEINDRE PINTAR MALEN PINTAR VERNICE 油漆





# CARE AND CLEANING

ENTRETIEN ET NETTOYAGE CUIDADO Y LIMPIEZA PFLEGE UND REINIGUNG CURA E PULIZIA CUIDADOS E LIMPEZA 保养与清洁





# Klipsch®

**KEEPERS OF THE SOUND**

3502 WOODVIEW TRACE, INDIANAPOLIS, IN, USA

**KLIPSCH.COM**

1-800-KLIPSCH ©2014 KLIPSCH GROUP, INC. ALL RIGHTS RESERVED. KLIPSCH AND KEEPERS OF THE SOUND ARE REGISTERED TRADEMARKS OF KLIPSCH GROUP, INC. IN THE USA AND OTHER COUNTRIES.  
A WHOLLY-OWNED SUBSIDIARY OF VOXX INTERNATIONAL CORPORATION.

V02-0512