

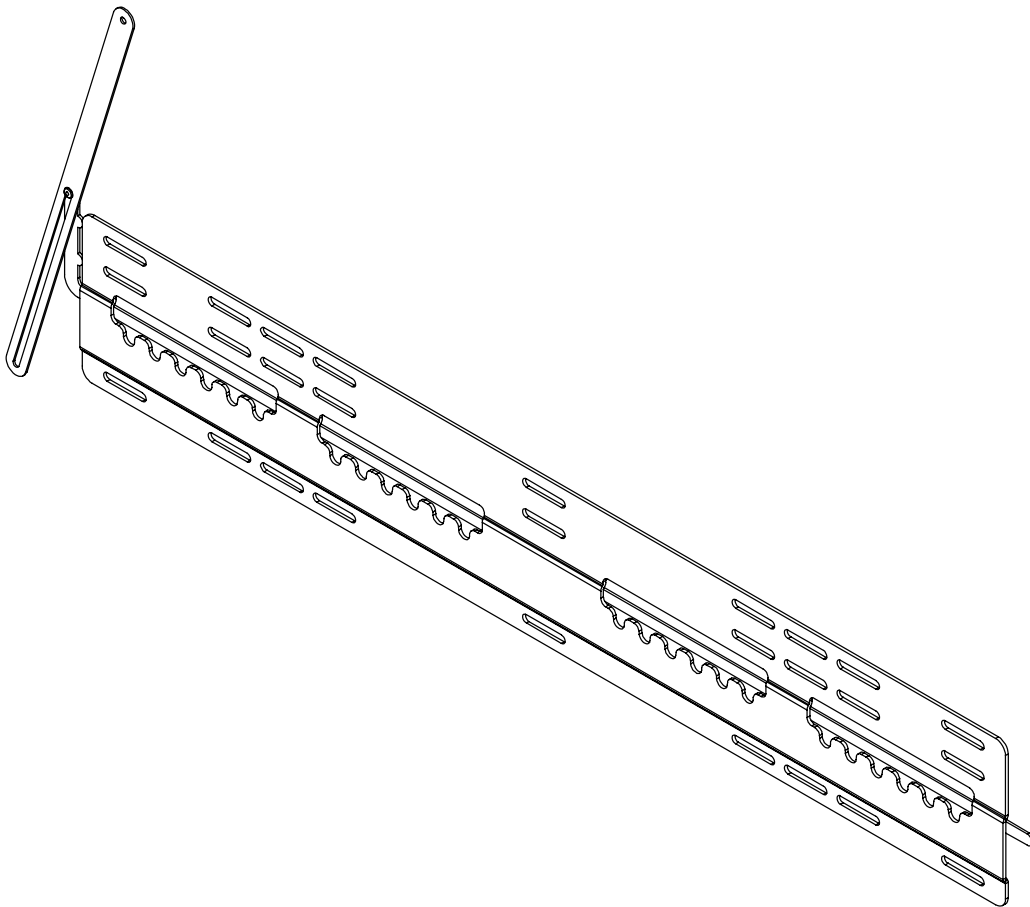


## Installation and Assembly:

# Peerless Ultra-Thin Flat Mount for 40" - 80" (102 - 203 cm)\* Flat Panel Displays

---

Model: SUF661



### \*Display Compatibility Requirements

- The depth of this mount (0.19") may not provide sufficient space for proper ventilation on some displays. Please refer to the manufacturer's requirements for mounting your display before installation.
- The display must have a flat mounting surface, or the mounting holes need to be on the furthest back surface of the display.
- Input/Output connection must be properly oriented to accommodate mounting 0.19" from the wall.



**Max UL Load Capacity:**  
150 lb (68kg)

**NOTE:** Read entire instruction sheet before you start installation and assembly.

## **⚠ WARNING**

- Do not begin to install your Peerless product until you have read and understood the instructions and warnings contained in this Installation Sheet. If you have any questions regarding any of the instructions or warnings, for US customers please call Peerless customer care at 1-800-865-2112, for all international customers, please contact your local distributor.
- This mount is designed to attach the display 0.19" from the wall. Please refer to manufacturer's installation guide recommendations for required distance from wall to avoid risk of injury or property damage.
- This product should only be installed by someone of good mechanical aptitude, has experience with basic building construction, and fully understands these instructions.
- Make sure that the supporting surface will safely support the combined load of the equipment and all attached hardware and components.
- Never exceed the Maximum UL Load Capacity. See page one.
- If mounting to wood wall studs, make sure that mounting screws are anchored into the center of the studs. Use of an "edge to edge" stud finder is highly recommended.
- Always use an assistant or mechanical lifting equipment to safely lift and position equipment.
- Tighten screws firmly, but do not overtighten. Overtightening can damage the items, greatly reducing their holding power.
- This product is intended for indoor use only. Use of this product outdoors could lead to product failure and personal injury.
- This product was designed to be installed on the following wall construction only;

### **WALL CONSTRUCTION**

### **HARDWARE REQUIRED**

- |                    |  |
|--------------------|--|
| • Wood Stud        | Included   |
| • Wood Beam        | Included   |
| • Solid Concrete   | Included   |
| • Cinder Block     | Included   |
| • Metal Stud       | Contact Qualified Professional (not evaluated by UL) |
| • Brick            | Contact Qualified Professional (not evaluated by UL) |
| • Other or unsure? | Contact Qualified Professional (not evaluated by UL) |

## **Tools Needed for Assembly**

- stud finder ("edge to edge" stud finder is recommended)
- drill
- 5/16" (8mm) bit for concrete and cinder block wall
- 5/32" (4mm) bit for wood stud wall
- level

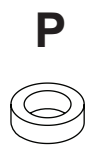
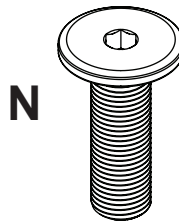
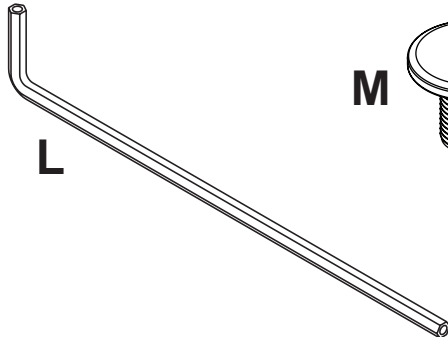
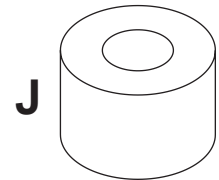
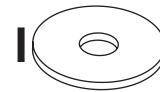
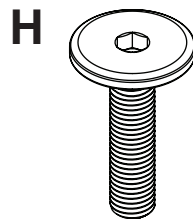
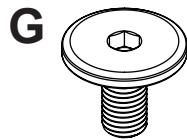
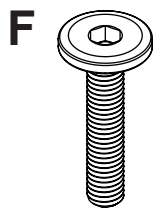
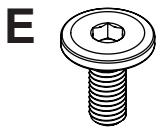
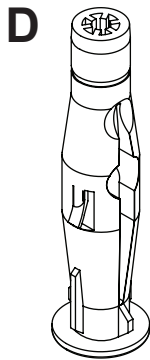
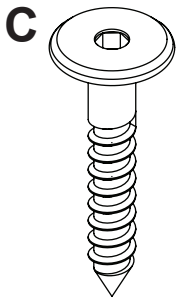
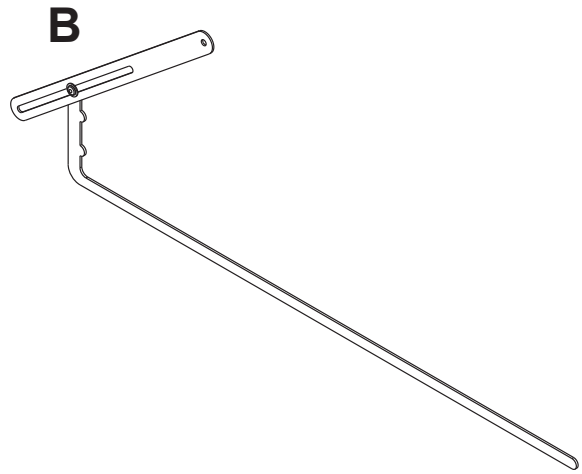
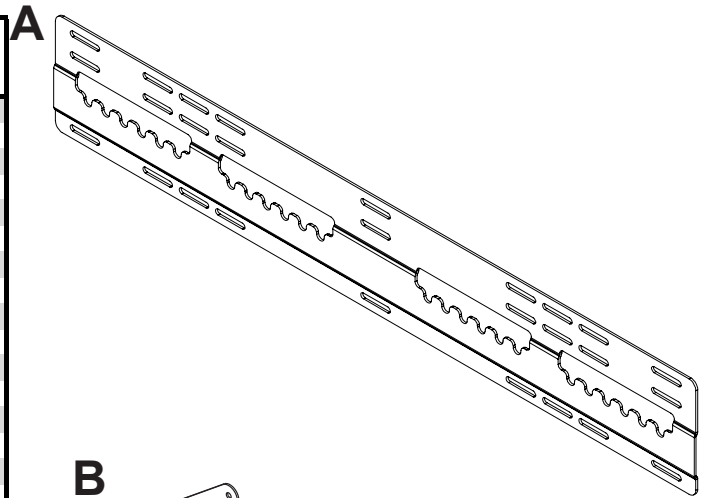
## **Table of Contents**

Parts List.....	3
Installation to Wood Stud Wall.....	4,5
Installation to Solid Concrete/Cinder Block walls .....	6
Installing Display Screws.....	7
Mounting Flat Panel Display.....	8

Before you begin, make sure all parts shown are included with your product.

Parts may appear slightly different than illustrated.

Parts List		
Description	Qty.	Part #
A wall plate	1	046-P1202
B locking arm	1	046-P1212
C wood screws	6	500-1090
D concrete anchors	6	590-0320
E M5 x 12 mm hex screw	4	560-1732
F M5 x 25 mm hex screw	4	560-1733
G M6 x 12 mm hex screw	4	560-1734
H M6 x 25 mm hex screw	4	560-1735
I .725" washer	4	540-9478
J 3/4" spacer	4	540-1059
K 4 mm security driver	1	560-1133
L 4 mm security allen wrench	1	560-9646
M M8 x 12 mm hex screw	4	560-1736
N M8 x 25 mm hex screw	4	560-1737
O M5 x 1/8" spacer	4	046-0223
P M6 x 1/8" spacer	4	046-0224
Q cloth bumper	2	570-0051
R security wood screw	1	520-1092
S alligator anchor®	1	590-0097

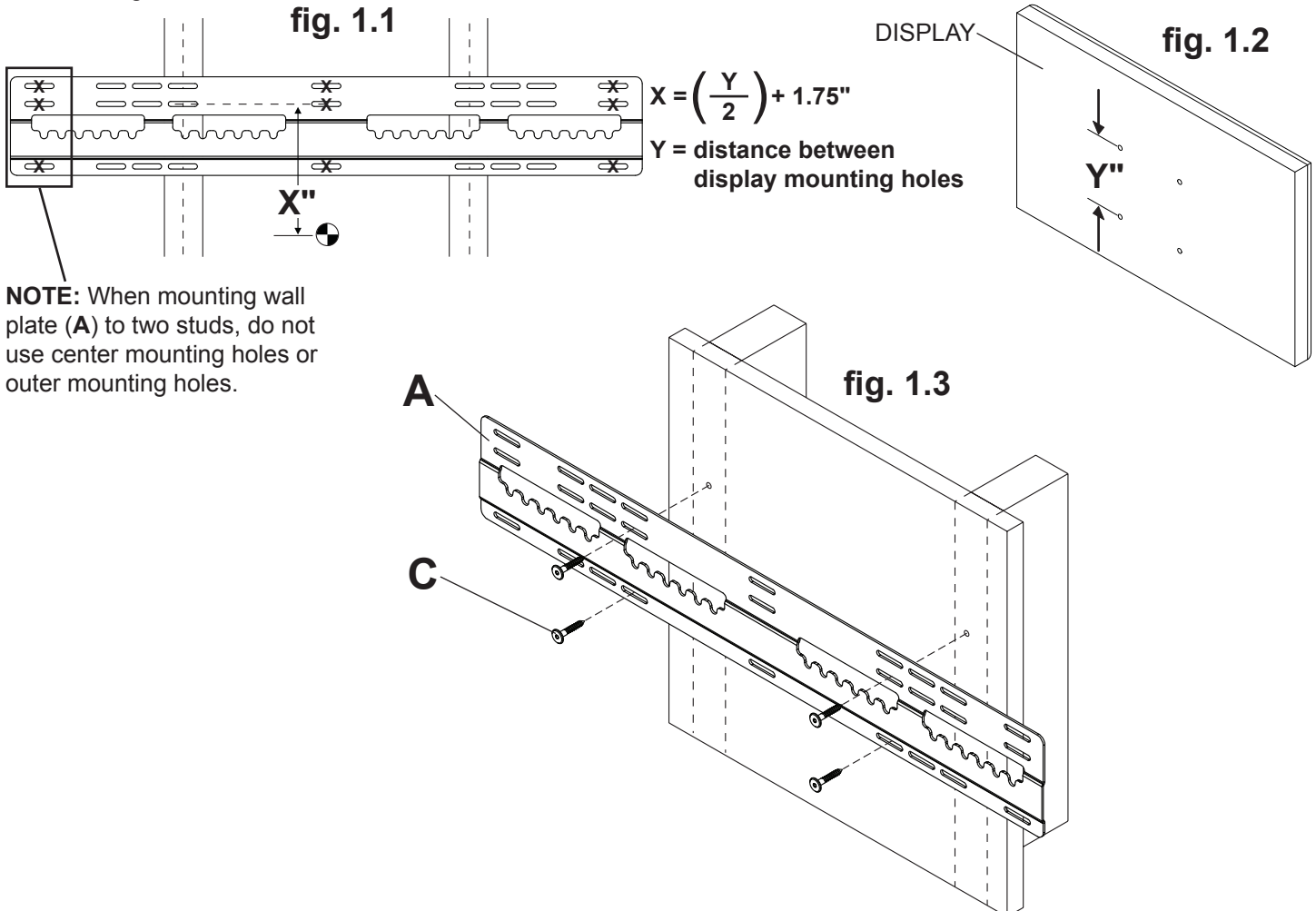


# Installation to Double Wood Stud Wall

## ⚠ WARNING

- Installer must verify that the supporting surface will safely support the combined load of the equipment and all attached hardware and components.
- Tighten wood screws so that wall plate is firmly attached, but do not overtighten. Overtightening can damage the screws, greatly reducing their holding power.
- Never tighten in excess of 80 in. • lb (9 N.M.).
- Make sure that mounting screws are anchored into the center of the stud. The use of an "edge to edge" stud finder is highly recommended.
- Hardware provided is for attachment of mount through standard thickness drywall or plaster into wood studs. Installers are responsible to provide hardware for other types of mounting situations (not evaluated by UL).
- When installing Peerless wall mounts on a wood stud wall covered with gypsum board (drywall), verify that the wood studs are a minimum of 2" x 4" nominal size. When installing to more than one stud, ensure the spacing between studs is at least 16" but does not exceed 24". Do not install over gypsum board thicker than 5/8".

**1** Wall plate (A) can be mounted to two studs that are 16", 20", or 24" apart. Use a stud finder to locate the edges of the studs. Use of an edge-to-edge stud finder is highly recommended. Based on their edges, draw a vertical line down each stud's center. Place wall plate on wall as a template. The top mounting slots should be located X" above the desired display center as shown in figure 1.1 and 1.2. Level plate, and mark the center of the four mounting holes. Make sure that the mounting holes are on the stud centerlines. Drill four 5/32" (4mm) dia. holes 2" (51mm) deep. Make sure that the wall plate is level and secure it using four wood screws (C) as shown in figure 1.3.

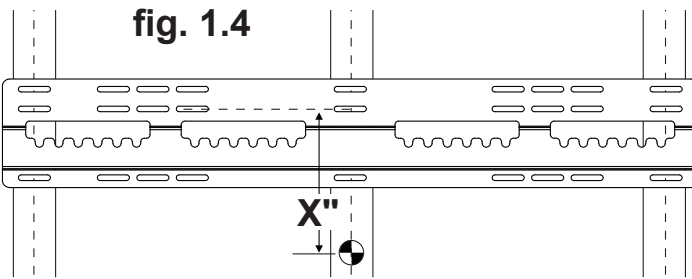


# Installation to Triple Wood Stud Wall

## ⚠ WARNING

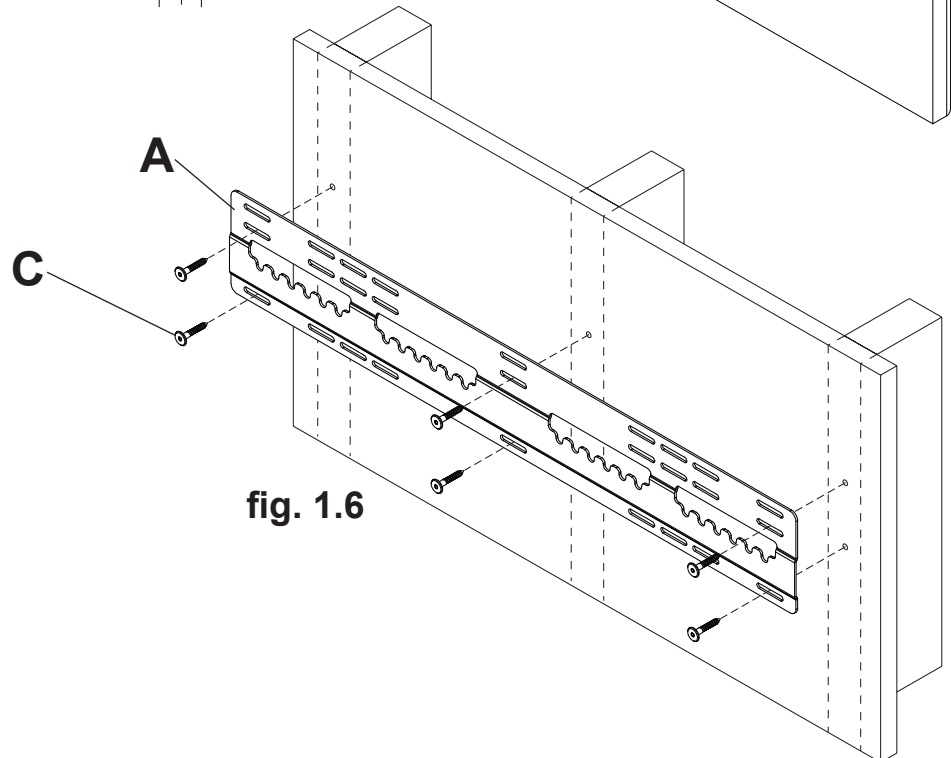
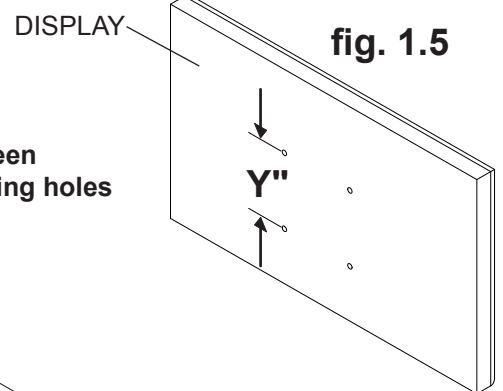
- Installer must verify that the supporting surface will safely support the combined load of the equipment and all attached hardware and components.
- Tighten wood screws so that wall plate is firmly attached, but do not overtighten. Overtightening can damage the screws, greatly reducing their holding power.
- Never tighten in excess of 80 in. • lb (9 N.M.).
- Make sure that mounting screws are anchored into the center of the stud. The use of an "edge to edge" stud finder is highly recommended.
- Hardware provided is for attachment of mount through standard thickness drywall or plaster into wood studs. Installers are responsible to provide hardware for other types of mounting situations (not evaluated by UL).
- When installing Peerless wall mounts on a wood stud wall covered with gypsum board (drywall), verify that the wood studs are a minimum of 2" x 4" nominal size. When installing to more than one stud, ensure the spacing between studs is at least 16" but does not exceed 24". Do not install over gypsum board thicker than 5/8".

- 1** Wall plate (A) can be mounted to three studs that are 16" apart. Use a stud finder to locate the edges of the studs. Use of an edge-to-edge stud finder is highly recommended. Based on their edges, draw a vertical line down each stud's center. Place wall plate on wall as a template. The top mounting slots should be located X" above the desired display center as shown in figure 1.4 and 1.5. Level plate, and mark the center of the six mounting holes. Make sure that the mounting holes are on the stud centerlines. Drill six 5/32" (4mm) dia. holes 2" (51mm) deep. Make sure that the wall plate is level and secure it using six wood screws (C) as shown in figure 1.6.



$$X = \left( \frac{Y}{2} \right) + 1.75"$$

Y = distance between display mounting holes

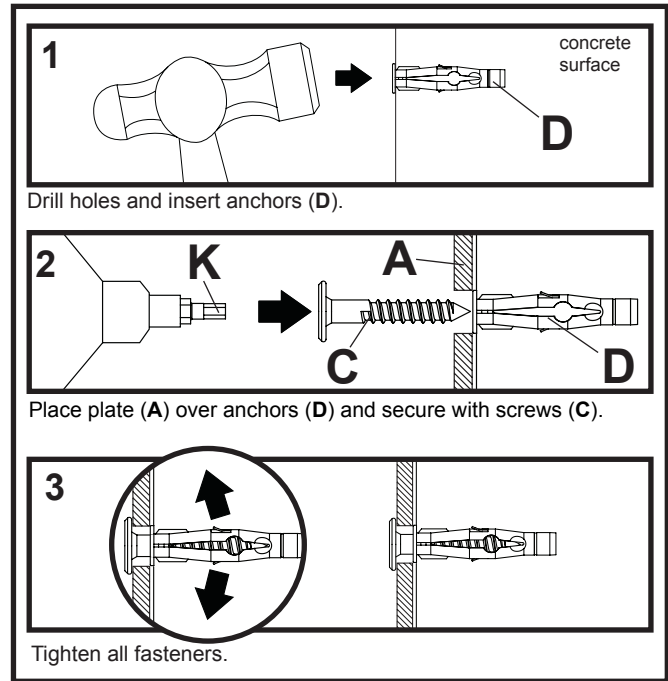


# Installation to Solid Concrete or Cinder Block

## ⚠ WARNING

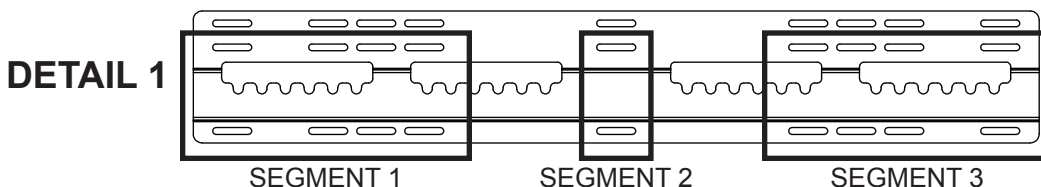
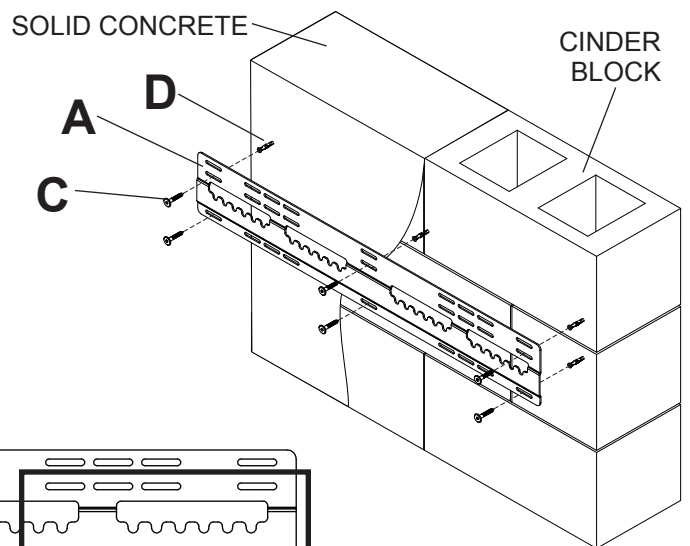
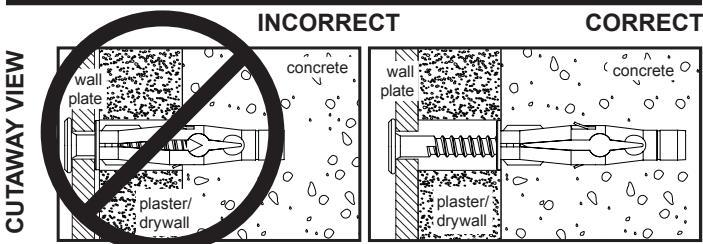
- When installing Peerless wall mounts on a concrete wall, the wall must be at least 8" thick with a minimum compressive strength of 2000 psi.
- When installing Peerless wall mounts on a cinder block wall, the cinder blocks must meet ASTM C-90 specifications and have a minimum nominal width of 8". Do not drill into mortar joints! Be sure to mount in a solid part of the block, generally 1" (25 mm) minimum from the side of the block. It is suggested that a standard electric drill on slow setting is used to drill the hole instead of a hammer drill to avoid breaking out the back of the hole when entering a void or cavity.
- Never attach expansion anchors to concrete or cinder block covered with plaster, drywall or other finishing material.
- Two wood screws (C) must be installed into wall plate (A) in each segment as shown in detail 1, or product may fail.

**1** Make sure that wall plate (A) is level, use it as a template to mark six mounting holes. The top mounting slots should be located X" above the desired display center as shown in figure 1.4 and 1.5 on page 5. Drill six 5/16" (8mm) dia. holes to a minimum depth of 2.5" (64mm). Insert anchors (D) in holes flush with wall as shown (right). Place wall plate over anchors and secure with six wood screws (C). Level, then tighten all fasteners.



## ⚠ WARNING

- Tighten screws so that wall plate is firmly attached, but do not overtighten. Overtightening can damage screws, greatly reducing their holding power.
- Never tighten in excess of 80 in. • lb (9 N.M.).
- Always attach concrete anchors directly to load-bearing concrete.
- Never attach concrete anchors to concrete covered with plaster, drywall, or other finishing material. If mounting to concrete surfaces covered with a finishing surface is unavoidable (not evaluated by UL), the finishing surface must be counterbored as shown below. Be sure concrete anchors do not pull away from concrete when tightening screws. If plaster/drywall is thicker than 5/8", custom fasteners must be supplied by installer (not evaluated by UL).



## Installing Display Screws

### ⚠ WARNING

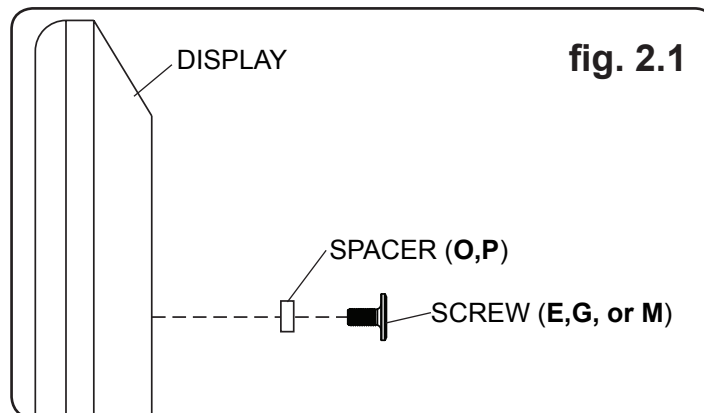
- Tighten screws so they are firmly attached. Do not tighten with excessive force. Overtightening can cause stress damage to screws, greatly reducing their holding power and possibly causing screw heads to become detached. Tighten to 40 in. • lb (4.5 N.M.) maximum torque.
- If screws don't get three complete turns in the display inserts or if screws bottom out and bracket is still not tightly secured, damage may occur to display or product may fail.

- 2** To prevent scratching the display, set a cloth on a flat, level surface that will support the weight of the display. Place display face side down. If display has knobs on the back, remove them to allow the adapter brackets to be attached.

**NOTE:** Top and bottom holes of display must always be used.

### For Flat Back Display

- 2-1** Begin with the shortest length screw (**E,G, or M**) and hand thread through 1/8" spacer (**O,P**) into display as shown in figure 2.1. Screw must make at least three full turns into the mounting hole and fit snug into place. Do not over tighten. If screw cannot make three full turns into the display, select a longer length screw (**F,H, or N**) from the baffled fastener pack. Repeat for remaining mounting holes and tighten screws.



## Mounting Flat Panel Display

### ⚠ WARNING

- Always use an assistant or mechanical lifting equipment to safely lift and position the flat panel displays.

- 3** Apply cloth bumpers (**Q**) to bottom mounting screws as shown in figure 3.1.  
Hook top mounting screws into wallplate grooves.

**3-1**

- Secure display by inserting lock arm (**B**) into wall plate (**A**) as shown in figure 3.2.  
Lock arm must reside over top of display mounting screws as shown in detail 2.

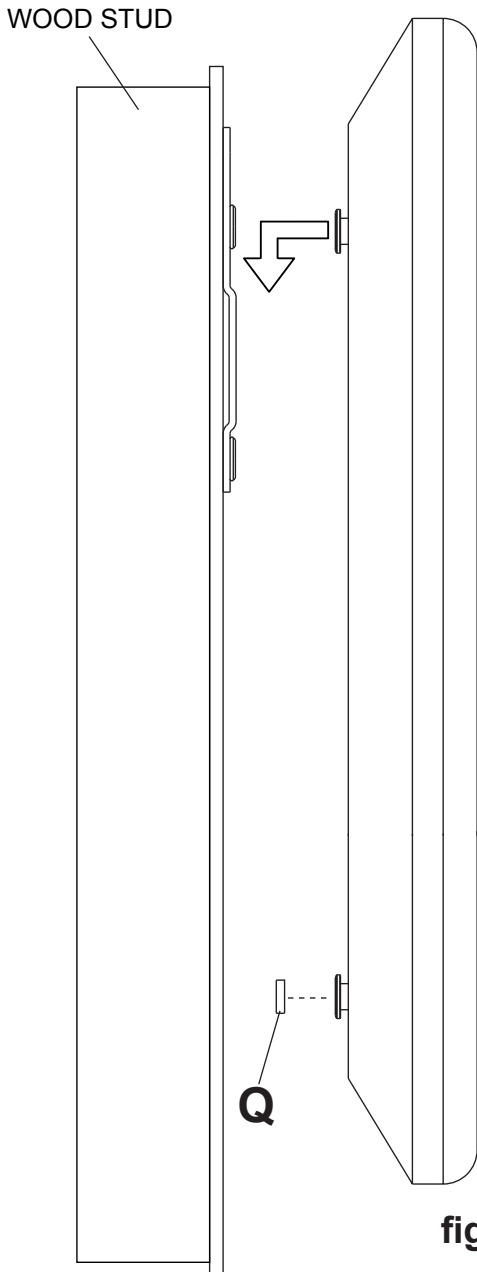


fig. 3.1

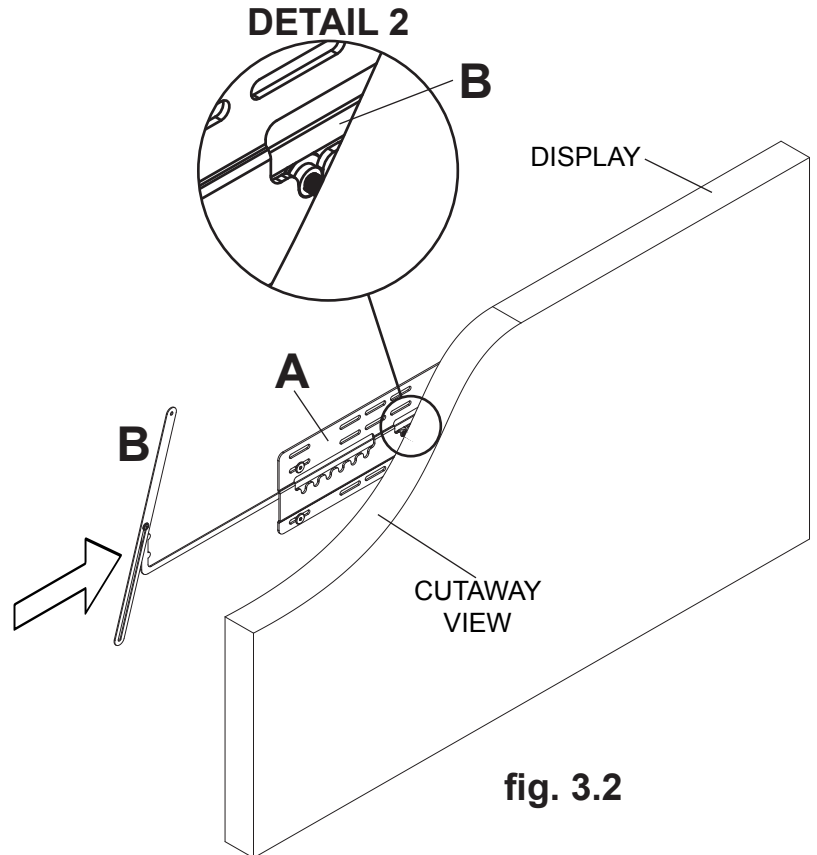


fig. 3.2

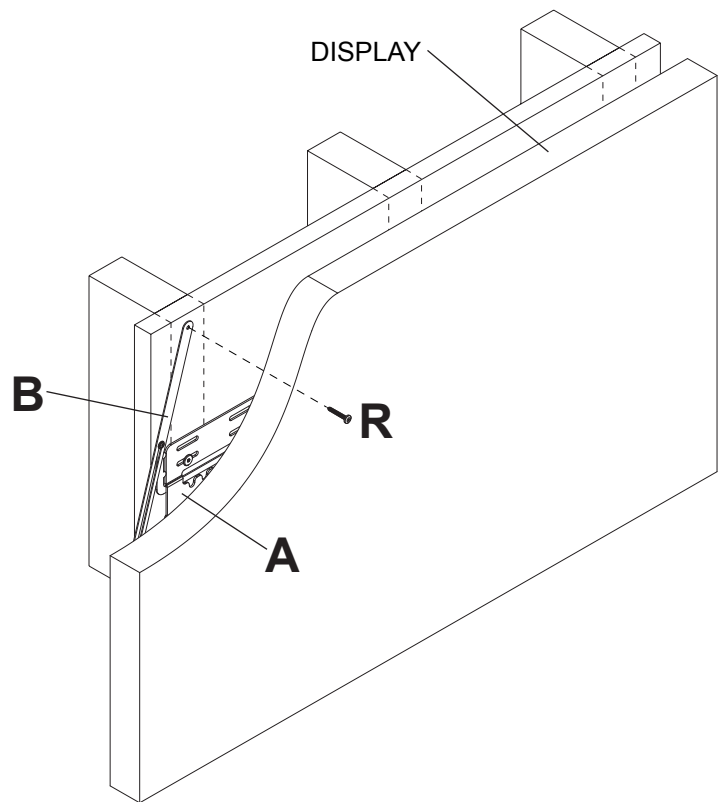


## OPTIONAL: Securing Locking Arm

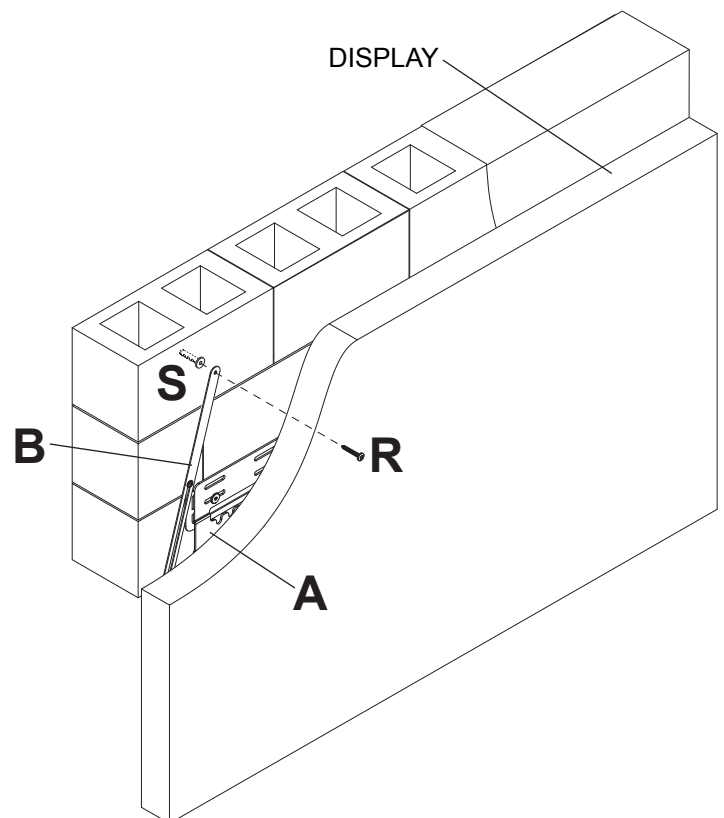
### ⚠ CAUTION

- Be careful not to pinch fingers when adjusting locking arm (B).

**4** **WOOD STUD:** Adjust locking arm (B) until it aligns to wood stud and secure using one #10 x 1-1/2" security wood screw (R). If locking arm is difficult to adjust, spin arm to loosen joint.



**4** **CONCRETE/CINDER BLOCK:** Adjust locking arm (B) to desired position, mark center of mounting hole, and drill one 1/4" (6mm) dia. hole to a minimum depth of 2". Insert alligator anchor (S) into hole and secure locking arm (B) with one #10 x 1-1/2" security wood screw (R). If locking arm is difficult to adjust, spin arm to loosen joint.

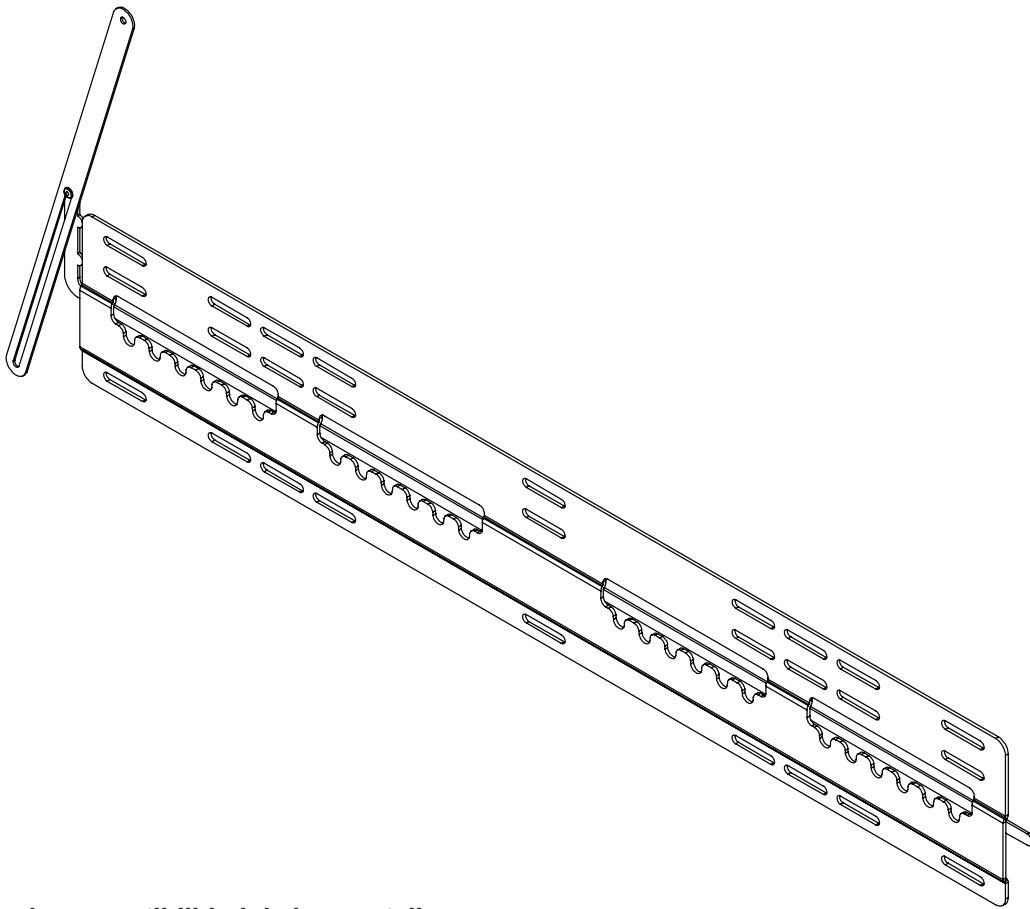




## Instalación y ensamblaje:

# Soporte Plano Peerless Ultra-Delgado para Pantallas Planas de 40" - 80" (102 - 203 cm)\*

Modelo: SUF661



### \*Requisitos para la compatibilidad de las pantallas

- Es posible que la profundidad del soporte (0.19") no proporcione suficiente espacio para la ventilación adecuada de algunas pantallas. Por favor, repase los requisitos del fabricante en relación con la instalación de la pantalla antes de proceder.
- La pantalla tiene que tener una superficie plana para la instalación o tiene que tener los agujeros de montaje en la superficie trasera más alejada de la pantalla.
- La conexión de entrada / salida tiene que tener la orientación adecuada para acomodar una instalación a 0.19" de la pared.



Capacidad máxima de soportar carga por UL:  
150 lb (68kg)

## ⚠ ADVERTENCIA

- No comience a instalar su producto de Peerless hasta haber leído y entendido las instrucciones y las advertencias contenidas en la Hoja de Instalación. Si tiene alguna pregunta acerca de cualquiera de las instrucciones o las advertencias, por favor, llame a Servicio al Cliente de Peerless al 1-800-865-2112 si está en EE. UU. Si es un cliente internacional, por favor, comuníquese con su distribuidor local.
- Este soporte está diseñado para sostener la pantalla a 0.33" de la pared. Por favor, repase las recomendaciones del manual de instalación del fabricante con respecto a la distancia necesaria de la pared para evitar el riesgo de sufrir lesiones o causar daños a la propiedad.
- Este producto sólo debe ser instalado por una persona que tenga una buena aptitud mecánica, que tenga experiencia en construcción básica de edificios y que entienda estas instrucciones en su totalidad.
- Asegúrese de que la superficie de apoyo sostendrá, con seguridad, la carga combinada del equipo y todos los fijadores y componentes.
- Nunca sobrepase la capacidad máxima de soportar carga aceptada por Underwriters Laboratories. Vea la página 10.
- Si va a instalar el producto en una pared con montantes de madera, asegúrese de que los tornillos de montaje estén anclados en el centro de los montantes. Se recomienda utilizar un localizador de montantes de "borde a borde".
- Siempre cuente con la ayuda de un asistente o utilice un equipo mecánico de izar para levantar y colocar el equipo con más seguridad.
- Apriete los tornillos con firmeza, pero no en exceso. Apretarlos en exceso puede dañar los artículos y puede disminuir significativamente su fuerza de fijación.
- Este producto está diseñado para uso en interiores solamente. Utilizar este producto en exteriores podría causar fallas del producto y lesiones a individuos.
- Este producto fue diseñado para ser instalado en paredes con la siguiente construcción solamente:

### CONSTRUCCIÓN DE LA PARED

### ACCESORIOS NECESARIOS

- |                                      |   |
|--------------------------------------|---|
| • Montante de madera                 | Incluido  |
| • Viga de madera                     | Incluido  |
| • Concreto macizo                    | Incluido  |
| • Bloque de hormigón de escorias     | Incluido  |
| • Montante de metal                  | Comuníquese con un profesional calificado (no evaluados por UL) |
| • Ladrillo                           | Comuníquese con un profesional calificado (no evaluados por UL) |
| • ¿Otra superficie o no está seguro? | Comuníquese con un profesional calificado (no evaluados por UL) |

## Herramientas necesarias para el ensamblaje

- localizador de montantes (se recomienda uno de "borde a borde")
- taladro
- broca de 5/32" (4mm) para paredes con montantes de madera
- broca de 5/16" (8mm) y 1/4" (6mm) para concreto macizo o de bloques de hormigón de escorias
- nivel

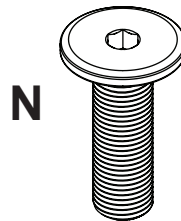
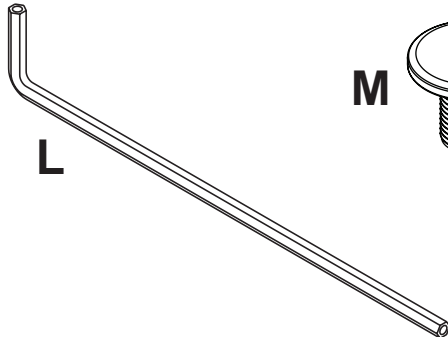
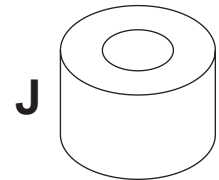
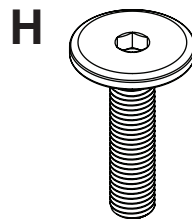
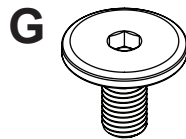
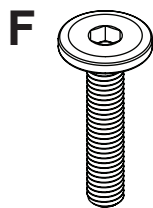
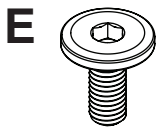
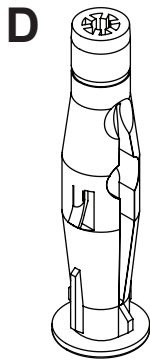
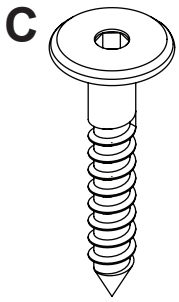
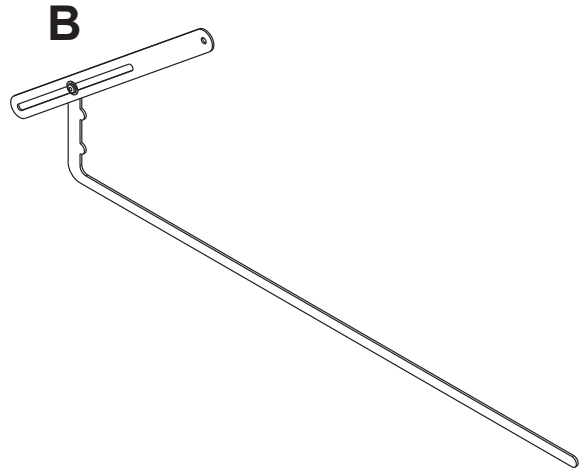
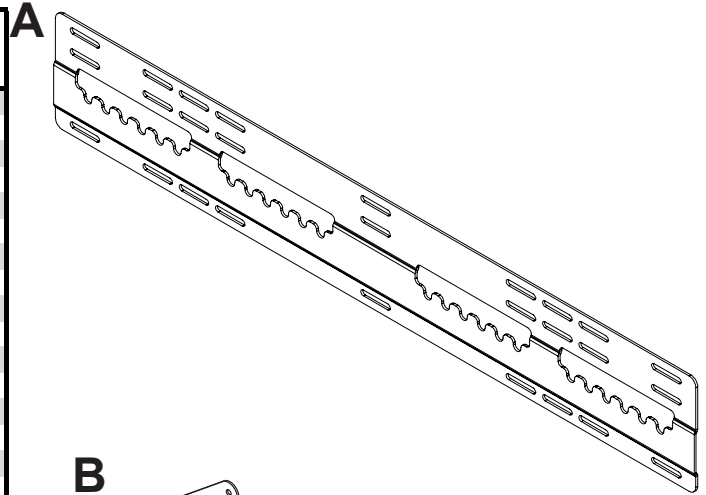
## Tabla de contenido

Lista de piezas.....	12
Instalación en una pared con montantes de madera .....	13,14
Instalación en una pared de concreto macizo o de bloques de hormigón de escorias.....	15
Instalar los tornillos de la pantalla .....	16
Instalación de la pantalla plana .....	17

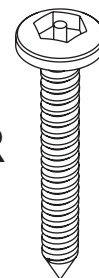
Antes de comenzar, asegúrese de que su producto contiene todas las piezas que se muestran.  
Las piezas pueden verse un poco distintas a la ilustración.

## Lista de piezas

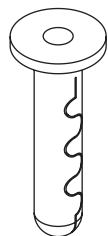
Descripción	Cant.	Nº de pieza
<b>A</b> placa de pared	1	046-P1202
<b>B</b> bloqueo del brazo	1	046-P1212
<b>C</b> tornillos para madera	6	500-1090
<b>D</b> anclajes para concreto	6	590-0320
<b>E</b> tornillos de cabeza hexagonal M5 x 12 mm	4	560-1732
<b>F</b> tornillos de cabeza hexagonal M5 x 25 mm	4	560-1733
<b>G</b> tornillos de cabeza hexagonal M6 x 12 mm	4	560-1734
<b>H</b> tornillos de cabeza hexagonal M6 x 25 mm	4	560-1735
<b>I</b> arandela de .725"	4	540-9478
<b>J</b> espaciador de 3/4"	4	540-1059
<b>K</b> desarmador de seguridad de 4 mm	1	560-1133
<b>L</b> llave allen de seguridad de 4 mm	1	560-9646
<b>M</b> tornillos de cabeza hexagonal M8 x 12 mm	4	560-1736
<b>N</b> tornillos de cabeza hexagonal M8 x 25 mm	4	560-1737
<b>O</b> espaciador de M5 x 1/8"	4	046-0223
<b>P</b> espaciador de M6 x 1/8"	4	046-0224
<b>Q</b> paño de parachoques	2	570-0051
<b>R</b> tornillos para madera de seguridad	1	520-1092
<b>S</b> anclaje alligator®	1	590-0097



R



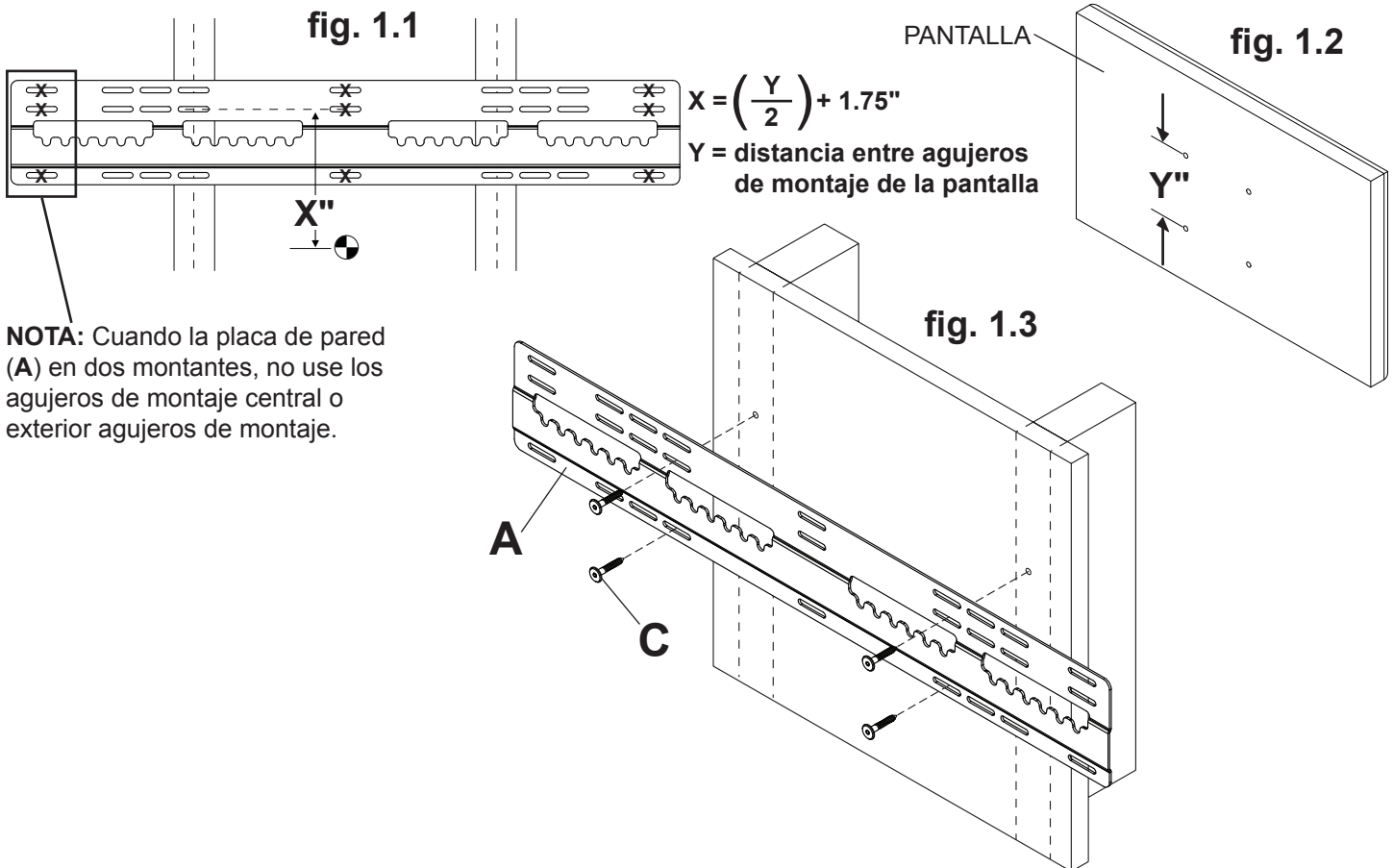
S



## ▲ ADVERTENCIA

- El instalador tiene que asegurarse de que la superficie de apoyo sostendrá, con seguridad, la carga combinada del equipo y todos los fijadores y componentes.
- Apriete los tornillos de madera de manera que la placa de pared se fije firmemente, pero no en exceso. Apretarlos en exceso puede dañar los tornillos y puede disminuir significativamente su fuerza de fijación.
- Nunca apriete a más de 80 pulg-lb (9 N•m).
- Asegúrese de que los tornillos de montaje estén anclados en el centro del montante. Se recomienda utilizar un localizador de montantes de "borde a borde".
- Los accesorios para la instalación que se proveen son para fijar el soporte a montantes de madera a través de tabique de yeso-cartón o yeso de espesor estándar. Los instaladores son responsables de suministrar los accesorios necesarios para otros tipos de instalaciones (no evaluados por UL).
- Cuando vaya a instalar soportes de pared de Peerless en paredes con montantes de madera recubiertas con yeso-cartón (gypsum board) verifique que todos los montantes tengan un diámetro mínimo de 2" x 4". Cuando vaya a instalar los soportes en más de un montante, asegúrese de que la distancia entre los montantes sea, por lo menos, 16" pero no más de 24". No instale en yeso-cartón de más de 5/8" de grosor.

**1** La placa de pared (A) sólo se debe instalar en dos montantes que tengan una separación de 16", 20" o 24". Utilice un localizador de montantes para localizar los bordes de los montantes. Se recomienda utilizar un localizador de montantes de "borde a borde". Tomando los bordes como punto de referencia, trace una línea vertical por el centro de cada montante. Coloque la placa de pared contra la pared para utilizarla como plantilla. Las ranuras de montaje superiores deben estar ubicados X" por encima del centro de la pantalla deseada como se muestra en la figura 1.1 y 1.2. Nivela la placa y marque el centro de los cuatro agujeros de montaje. Asegúrese de que los agujeros de montaje estén sobre las líneas que trazó por el centro de los montantes. Taladre cuatro agujeros de 5/32" (4mm) de diámetro y 2" (51mm) de profundidad. Asegúrese de que la placa de pared esté nivelada y fjela utilizando cuatro tornillos para madera (C), como se muestra en la figura 1.3.

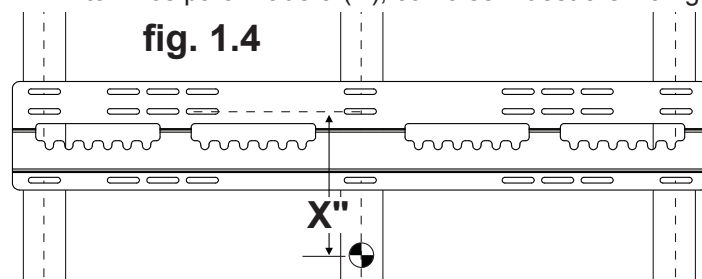


**NOTA:** Cuando la placa de pared (A) en dos montantes, no use los agujeros de montaje central o exterior agujeros de montaje.

## ⚠ ADVERTENCIA

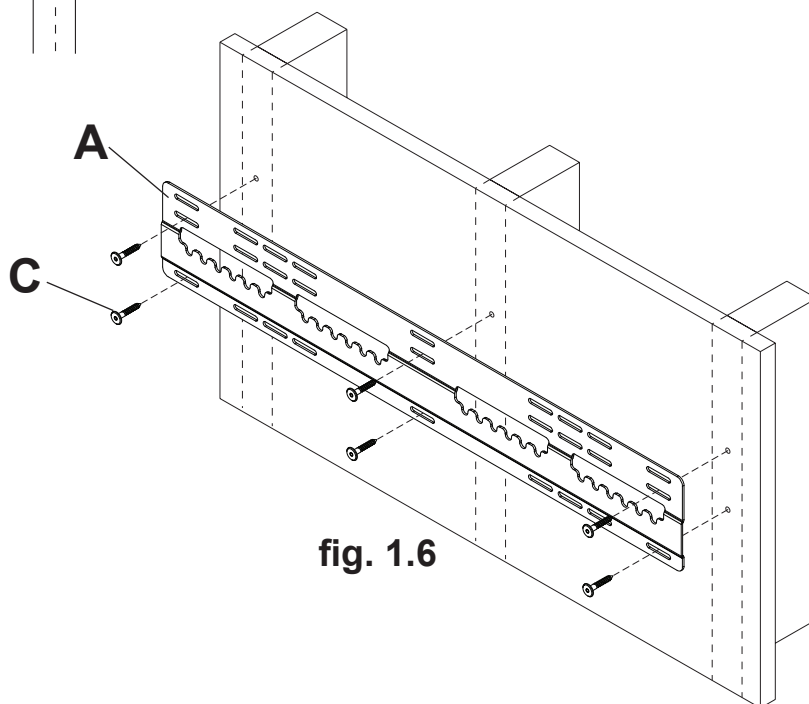
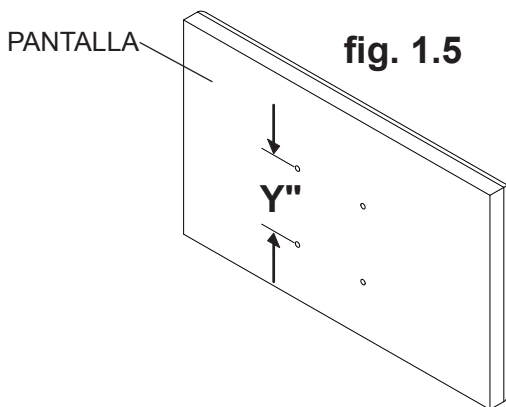
- El instalador tiene que asegurarse de que la superficie de apoyo sostendrá, con seguridad, la carga combinada del equipo y todos los fijadores y componentes.
- Apriete los tornillos de madera de manera que la placa de pared se fije firmemente, pero no en exceso. Apretarlos en exceso puede dañar los tornillos y puede disminuir significativamente su fuerza de fijación.
- Nunca apriete a más de 80 pulg-lb (9 N•m).
- Asegúrese de que los tornillos de montaje estén anclados en el centro del montante. Se recomienda utilizar un localizador de montantes de "borde a borde".
- Los accesorios para la instalación que se proveen son para fijar el soporte a montantes de madera a través de tabique de yeso-cartón o yeso de espesor estándar. Los instaladores son responsables de suministrar los accesorios necesarios para otros tipos de instalaciones (no evaluados por UL).
- Cuando vaya a instalar soportes de pared de Peerless en paredes con montantes de madera recubiertas con yeso-cartón (gypsum board) verifique que todos los montantes tengan un diámetro mínimo de 2" x 4". Cuando vaya a instalar los soportes en más de un montante, asegúrese de que la distancia entre los montantes sea, por lo menos, 16" pero no más de 24". No instale en yeso-cartón de más de 5/8" de grosor.

- 1** La placa de pared (A) se puede instalar en tres montantes que tengan una separación de 16". Utilice un localizador de montantes para localizar los bordes de los montantes. Se recomienda utilizar un localizador de montantes de "borde a borde". Tomando los bordes como punto de referencia, trace una línea vertical por el centro de cada montante. Coloque la placa de pared contra la pared para utilizarla como plantilla. Las ranuras de montaje superiores deben estar ubicados X" por encima del centro de la pantalla deseada como se muestra en la figura 1.4 y 1.5. Nivele la placa y marque el centro de los seis agujeros de montaje. Asegúrese de que los agujeros de montaje estén sobre las líneas que trazó por el centro de los montantes. Taladre seis agujeros de 5/32" (4mm) de diámetro y 2" (51mm) de profundidad. Asegúrese de que la placa de pared esté nivelada y fíjela utilizando seis tornillos para madera (C), como se muestra en la figura 1.6.



$$X = \left( \frac{Y}{2} \right) + 1.75''$$

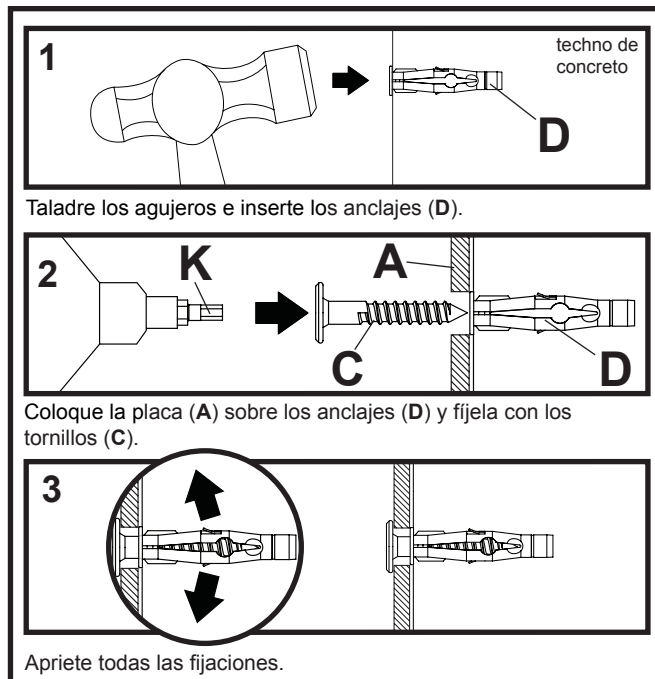
Y = distancia entre agujeros de montaje de la pantalla



## ⚠️ ADVERTENCIA

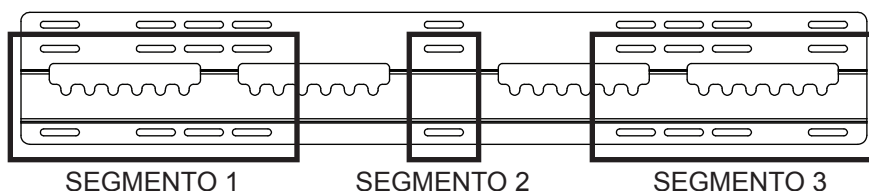
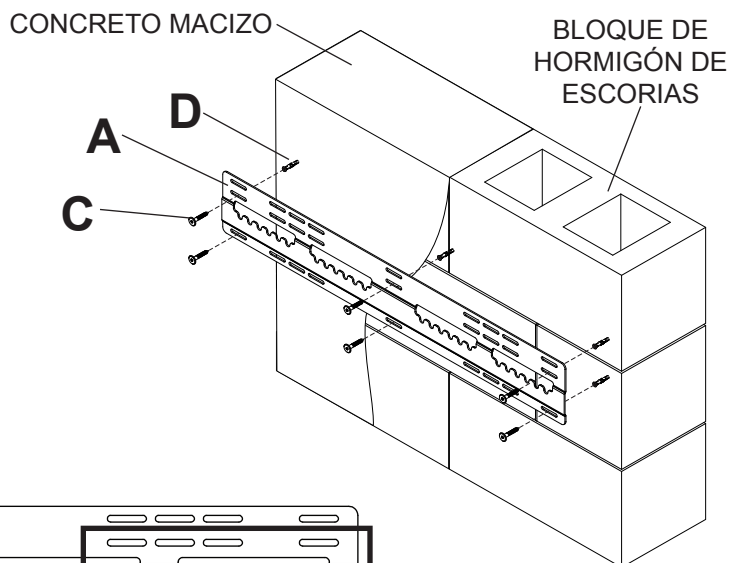
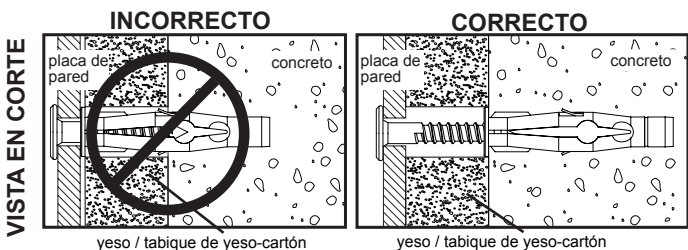
- Cuando vaya a instalar soportes de pared de Peerless en paredes de concreto, las paredes tienen que tener, por lo menos, 8" de grosor con una resistencia a la compresión de 2000 psi como mínimo.
- Cuando vaya a instalar soportes de pared de Peerless en paredes de hormigón de escorias, los bloques tienen que cumplir las especificaciones de ASTM C-90 y tener un grosor mínimo de 8". ¡No taladre en juntas de argamasa! Asegúrese de hacer la instalación en la parte sólida del bloque, por lo general, a un mínimo de 1" (25 mm) del extremo del bloque. Se sugiere utilizar un taladro eléctrico convencional a baja velocidad para hacer el agujero en vez de un taladro percutor para no perforar el fondo del agujero al entrar en un vacío o una cavidad.
- Nunca fije los anclajes de expansión a una pared de concreto o bloques de hormigón de escorias recubiertos con yeso, a yeso-cartón u otro material de acabado.
- Dos tornillos para madera (C) debe estar instalado en la placa de pared (A) en cada segmento como se muestra en el detalle 1, o el producto puede fallar.

**1** Asegúrese de que la placa de pared (A) esté nivelada y utilícela como plantilla para marcar cuatro agujeros de montaje. Las ranuras de montaje superiores deben estar ubicados "X" por encima del centro de la pantalla deseada como se muestra en la figura 1.4 y 1.5 de la página 14. Taladre seis agujeros de 5/16" (8mm) de diámetro a una profundidad mínima de 2.5" (64mm). Inserte los anclajes (D) en los agujeros a ras con la pared, como se muestra (a la derecha). Coloque la placa de pared sobre los anclajes y fíjela con seis tornillos para madera (C). Nivele y apriete todos los sujetadores.



## ⚠️ ADVERTENCIA

- Apriete los tornillos de manera que la placa de pared se fije firmemente, pero no en exceso. Apretarlos en exceso puede dañar los tornillos y puede disminuir significativamente su fuerza de fijación.
- Nunca apriete a más de 80 pulg-lb (9 N•m).
- Siempre fije los anclajes para concreto directamente en la pared que sostiene la carga.
- Nunca fije los anclajes para concreto a una pared de concreto recubierta con yeso, tabique de yeso-cartón u otro material de acabado. Si es inevitable hacer la instalación en una superficie de concreto recubierta con una superficie de acabado (no evaluados por UL), la superficie de acabado tiene que ser escariada, como se muestra abajo. Asegúrese de que los anclajes para concreto no se separen del concreto cuando apriete los tornillos. Si el grosor de la capa de yeso o tabique de yeso-cartón tiene un grosor mayor de 5/8", el instalador tiene que suministrar las fijaciones especiales (no evaluados por UL).





## Instalar los tornillos de la pantalla

### ⚠ ADVERTENCIA

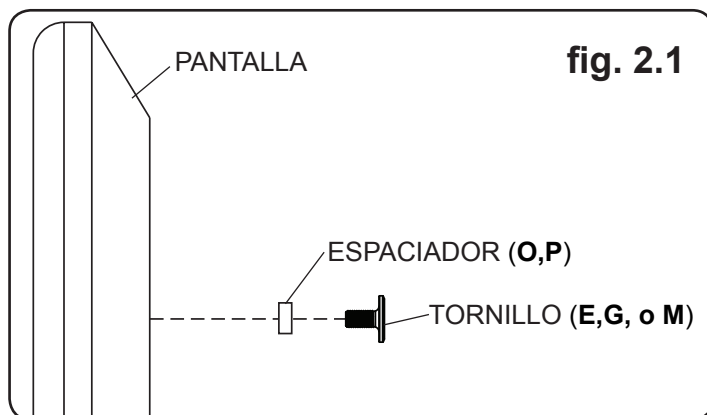
- Apriete los tornillos de manera que los soportes adaptadores se fijen con firmeza. No los apriete con fuerza excesiva. Apretar los tornillos en exceso puede causarles daño por forzarlos y puede disminuir significativamente su fuerza de fijación y podría causar el desprendimiento de las cabezas de los tornillos. Apriete los tornillos a un máximo de 40 pulg-lb (4.5 N•m) de par torsor.
- Si no se les da tres vueltas completas a los tornillos en los insertos de la pantalla o si los tornillos topan fondo y el soporte todavía no está firme, se podría dañar la pantalla o el producto podría no funcionar bien.

**2** Para no rayar la pantalla, coloque un trapo sobre una superficie plana y nivelada que sostenga el peso de la pantalla. Coloque la pantalla boca abajo. Si la pantalla tiene perillas en la parte trasera, quíteselas para poder fijar los soportes adaptadores.

**NOTA:** Siempre se tienen que usar los agujeros superiores e inferiores de la pantalla.

## Instalación de un televisor que tiene la parte posterior plana

**2-1** Comience con uno de los tornillos más cortos (**E, G o M**), enrósquelo, con la mano, a través del espaciador de 1/8" (**O, P**) en la pantalla, como se muestra en la figura 2.1. El tornillo tiene que dar, por lo menos, tres vueltas completas dentro del agujero de montaje y debe quedar ajustado en su lugar. No apriete los tornillos en exceso. Si el tornillo no puede dar tres vueltas completas al entrar en la parte trasera de la pantalla, seleccione uno de los tornillos más largos (**F, H o N**) de los sujetadores identificados y clasificados en las divisiones del empaque plástico. Siga el mismo procedimiento con los agujeros de montaje restantes y apriete los tornillos.





## Instalación de la pantalla plana

### ⚠ ADVERTENCIA

- Siempre cuente con un asistente o con un equipo mecánico de izar para levantar y colocar el televisor de plasma con más seguridad.

**3** Coloque los paragolpes de tela (**Q**) en los tornillos de montaje inferiores, como se muestra en la figura 3.1.

Enganche los tornillos de montaje superiores en las hendiduras de la placa de pared.

Para fijar la pantalla una vez la haya colgado en su lugar, inserte el brazo fijador (**B**) en el lado de la placa de pared, como se muestra en la figura 3.2. Cerciérese de que el brazo fijador descansa sobre los tornillos de montaje, como se muestra en el detalle 2.

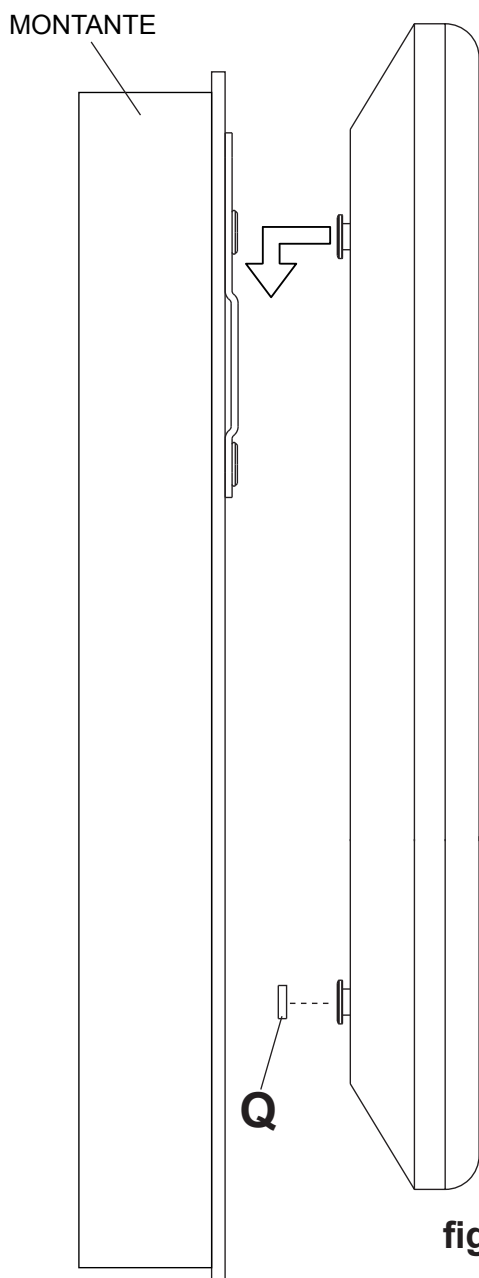


fig. 3.1

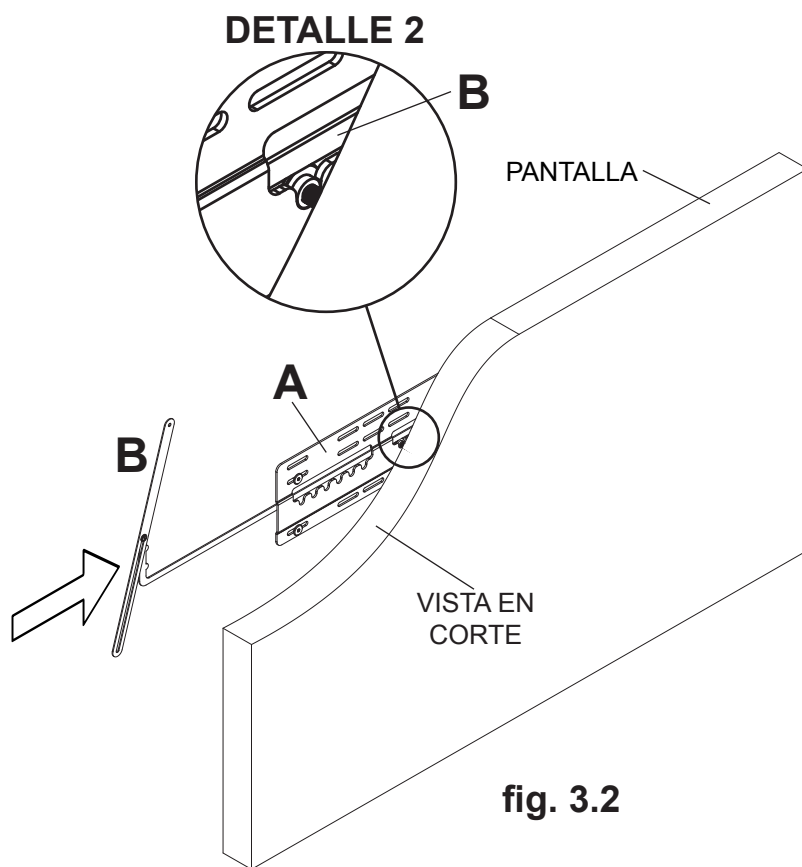


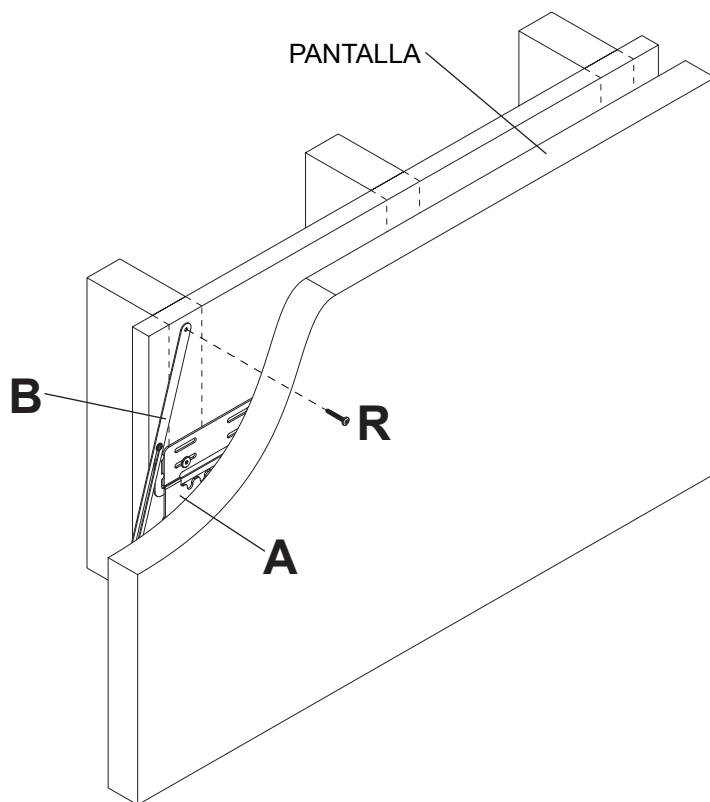
fig. 3.2

## OPCIONAL: Fijar el brazo fijador

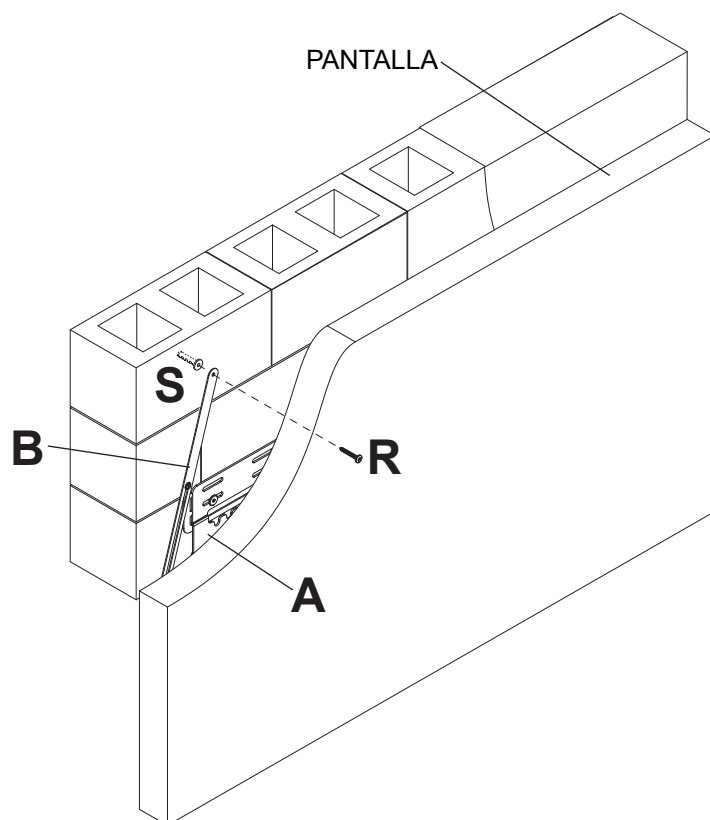
**⚠ PRECAUCIÓN**

- Tenga cuidado de no pincharse los dedos cuando fijar el brazo fijador (B).

**4** **MONTANTE DE MADERA:** Ajuste el brazo fijador (B) hasta que se alinee con el montante de madera y fíjelo con un tornillo de seguridad para madera de 10 x 1-1/2" (R). Si el el brazo fijador es difícil de ajustar, girar el brazo para aflojar las articulaciones.



**4** **CONCRETO O BLOQUE DE HORMIGÓN DE ESCORIAS:** Ajuste el brazo fijador (B) en la posición deseada, marque el centro del agujero de montaje y taladre un agujero de 1/4" (6mm) de diámetro a una profundidad mínima de 2". Inserte el anclaje alligator (S) en el agujero y fije el brazo fijador (B) con un tornillo de seguridad para madera de 10 x 1-1/2" (R). Si el el brazo fijador es difícil de ajustar, girar el brazo para aflojar las articulaciones.

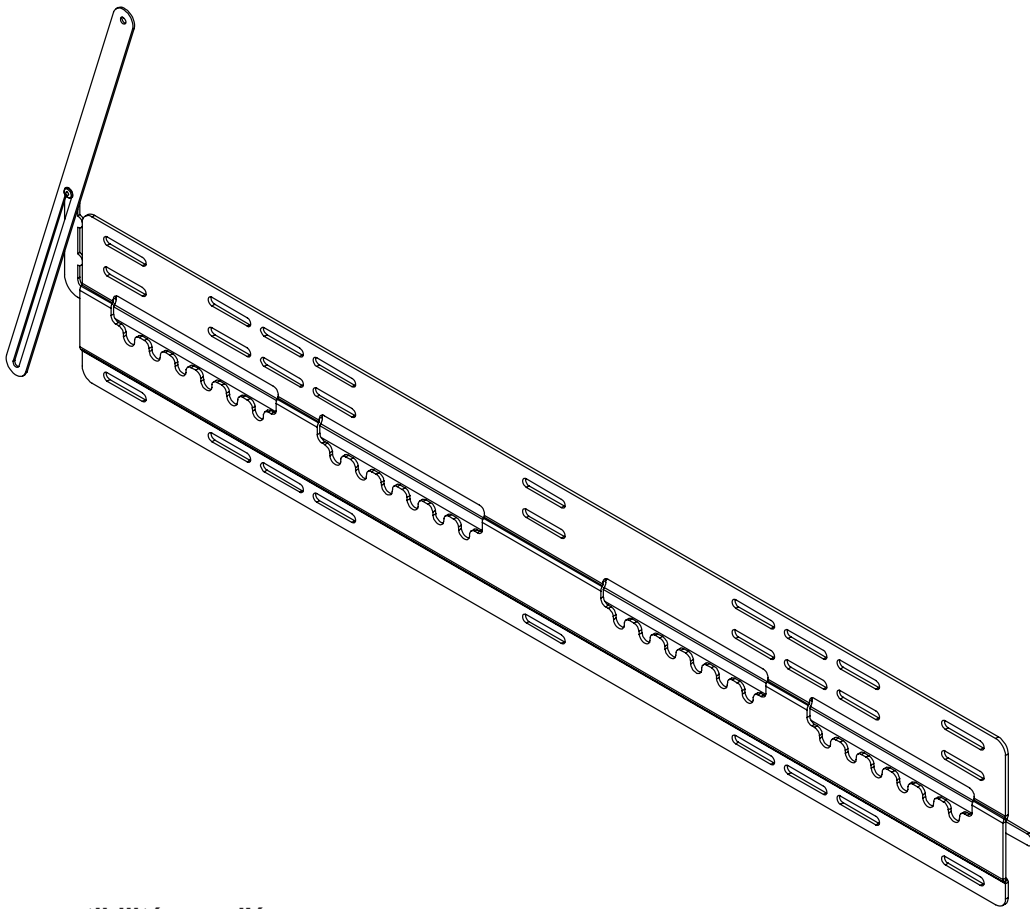




## Installation et montage:

# Support Plat Ultra-Mince Peerless pour Écrans plats 40" - 80" (102 - 203 cm)\*

Modèle: SUF661



### \*Exigences de compatibilité avec l'écran

- La profondeur de ce support (0,19 po) pourrait ne pas laisser suffisamment d'espace pour permettre une ventilation adéquate pour certains écrans. Veuillez vous reporter aux exigences de montage du fabricant avant d'installer votre écran.
- L'écran doit avoir une surface de montage plate ou alors les trous de montage doivent se trouver à l'extrémité de la surface arrière de l'écran.
- La connexion entrée/sortie doit être orientée de manière à permettre l'installation du support à 0,19 po du mur.



**Capacité de charge maximale établie par l'UL:**  
150 lb (68kg)

**Remarque** : lisez entièrement la fiche d'instructions avant de commencer l'installation et l'assemblage.

## ⚠ AVERTISSEMENT

- Ne commencez pas à installer votre produit Peerless avant d'avoir lu et assimilé les instructions et les avertissements contenus dans cette fiche d'installation. Pour toute question concernant les instructions ou les avertissements, veuillez appeler le service à la clientèle de Peerless au 1-800-865-2112; tous les clients internationaux sont priés de contacter leur distributeur local.
- Ce support est conçu pour fixer l'écran à 0,33 po du mur. Veuillez vous reporter aux recommandations du guide d'installation du fabricant pour établir la distance au mur requise afin d'éviter les risques de blessures ou de dommages matériels.
- Ce produit doit être installé uniquement par quelqu'un possédant une bonne aptitude à la mécanique, une expérience de la construction immobilière et ayant bien compris ces instructions.
- Assurez-vous que la surface de support puisse soutenir sans danger la charge totale de l'équipement ainsi que des pièces et composants qui y sont attachés.
- Ne dépassez jamais la capacité de charge maximum établie par l'UL. Reportez-vous à la page 19.
- Lors d'une installation sur un mur à montants en bois, assurez-vous que les vis de montage sont ancrées au centre des montants. L'utilisation d'un localisateur de montants « bord à bord » est fortement recommandée.
- Pour lever et positionner l'équipement en toute sécurité, faites-vous toujours aider par une autre personne ou utilisez un dispositif de levage mécanique.
- Serrez fermement les vis, mais sans excès. Un serrage excessif peut endommager les composants et en réduire considérablement la capacité de support.
- Ce produit est conçu uniquement pour un usage intérieur. L'utilisation de ce produit à l'extérieur peut causer une défaillance du produit et des blessures corporelles.
- Ce produit a été conçu uniquement pour une installation sur les types de murs ci-dessous :

### TYPE DE MUR

### PIÈCES DE FIXATION REQUISES

- |                                   |  |
|-----------------------------------|--|
| • Montant en bois                 | Incluses   |
| • Poutre en bois                  | Incluses   |
| • Béton plein                     | Incluses   |
| • Bloc de béton de mâchefer       | Incluses   |
| • Montant métallique              | Contacteur un professionnel qualifié (non évalué UL) |
| • Brique                          | Contacteur un professionnel qualifié (non évalué UL) |
| • Autre, ou vous n'êtes pas sûr ? | Contacteur un professionnel qualifié                 |

## Outils nécessaires au montage

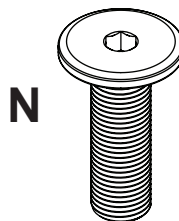
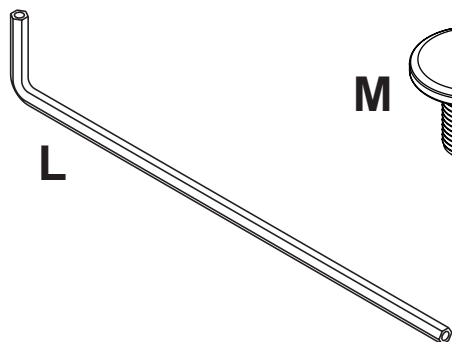
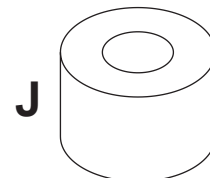
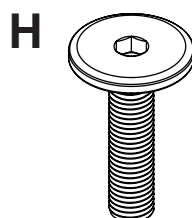
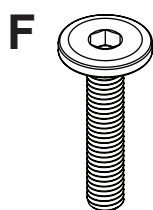
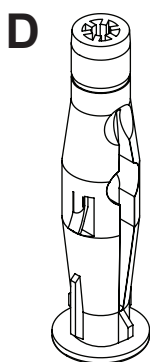
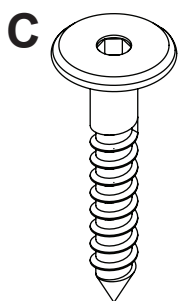
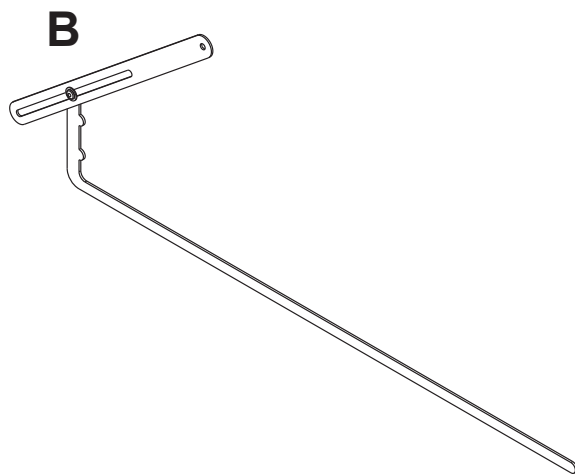
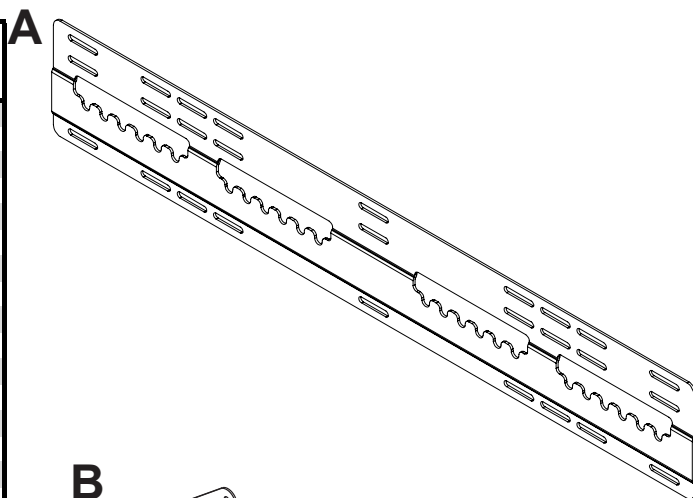
- localisateur de montants (un localisateur de montants « bord à bord » est recommandé)
- perceuse
- foret de 5/32 po (4mm) pour les murs à montants en bois
- foret de 5/16 po (8mm) et 1/4 po (6mm) pour les murs à block de béton
- niveau

## Table des matières

Liste des pièces.....	21
Installation sur des murs à en bois.....	22,23
Installation sur du béton plein/block de béton.....	24
Montage des vis de l'écran.....	25
Montage et démontage d'un écran plat.....	26

Avant de commencer, assurez-vous que toutes les pièces indiquées sont incluses avec le produit.  
Il est possible que les pièces semblent légèrement différentes de l'illustration.

Lista de piezas		
Descripción	Cant.	N° de pieza
A placa de pared	1	046-P1202
B bloqueo del brazo	1	046-P1212
C tornillos para madera	6	500-1090
D anclajes para concreto	6	590-0320
E tornillos de cabeza hexagonal M5 x 12 mm	4	560-1732
F tornillos de cabeza hexagonal M5 x 25 mm	4	560-1733
G tornillos de cabeza hexagonal M6 x 12 mm	4	560-1734
H tornillos de cabeza hexagonal M6 x 25 mm	4	560-1735
I arandela de .725"	4	540-9478
J espaciador de 3/4"	4	540-1059
K desarmador de seguridad de 4 mm	1	560-1133
L llave allen de seguridad de 4 mm	1	560-9646
M tornillos de cabeza hexagonal M8 x 12 mm	4	560-1736
N tornillos de cabeza hexagonal M8 x 25 mm	4	560-1737
O espaciador de M5 x 1/8"	4	046-0223
P espaciador de M6 x 1/8"	4	046-0224
Q paño de parachoques	2	570-0051
R tornillos para madera de seguridad	1	520-1092
S anclaje alligator®	1	590-0097



R



S



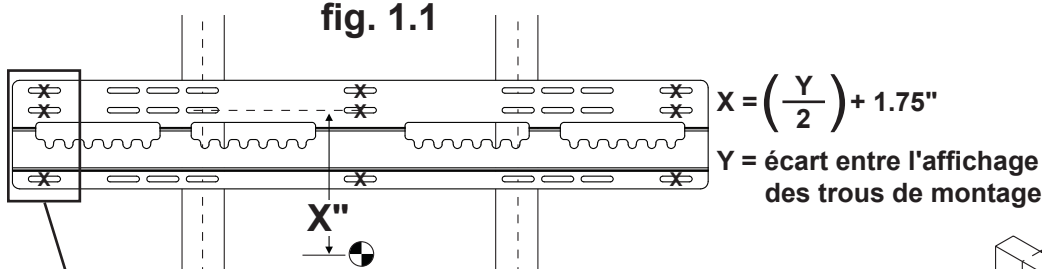
## Installation to Double Wood Stud Wall

## ▲ AVERTISSEMENT

- L'installateur doit s'assurer que la surface de support pourra soutenir sans danger la charge combinée de l'équipement, de toute sa visserie et de tous ses composants.
- Serrez les vis à bois de manière que la plaque murale soit fermement fixée, mais sans excès. Un serrage excessif peut endommager les vis et en réduire considérablement le pouvoir de maintien.
- Ne serrez jamais à plus de 9 Nm (80 po-lb).
- Assurez-vous que les vis de montage sont ancrées au centre des montants. L'usage d'un localisateur de montants « bord à bord » est fortement conseillé.
- La visserie est fournie pour fixer la monture à travers une cloison sèche ou du plâtre d'épaisseur standard et dans des montants en bois. Il appartient aux installateurs de fournir la visserie nécessaire pour d'autres types de situations (non évalué UL).
- Lors de l'installation de supports muraux Peerless sur un mur à montants en bois recouvert de plaque de plâtre (cloison sèche), assurez-vous que les montants en bois ont une dimension nominale d'au moins 2 po X 4 po. Lors de l'installation à plus d'un montant, veillez à ce que l'espace entre les montants soit d'au moins 16 po mais ne dépasse pas 24 po. Ne pas installer sur une plaque de plâtre de plus de 5/8 po d'épaisseur.

- 1** La plaque murale (A) doit être installée uniquement à deux montants espacés de 16 po, 20 po ou 24 po. Repérez le bord des montants à l'aide d'un localisateur de montants. L'utilisation d'un localisateur de montants « bord à bord » est fortement recommandée. Après avoir repéré les bords, tracez une ligne verticale le long du centre de chaque montant. Posez la plaque murale sur le mur et utilisez-la comme gabarit. Les fentes de montage supérieures doivent être situées X po au-dessus du centre d'exposition, comme illustré à la figure 1.1 et 1.2. Mettez la plaque à niveau et marquez le centre des quatre trous de fixation. Veillez à ce que les trous de fixation soient sur la ligne médiane du montant. Percez quatre trous de 5/32 po (4 mm) de dia. et de 2 po (51mm) de profondeur. Veillez à ce que la plaque murale soit de niveau et fixez-la à l'aide de quatre vis à bois (C) comme illustré à la figure 1.3.

fig. 1.1



**REMARQUE:** Lorsque la plaque de montage mural (A) à deux montants, ne pas utiliser le centre des trous de montage ou de trous de montage extérieurs.

fig. 1.2

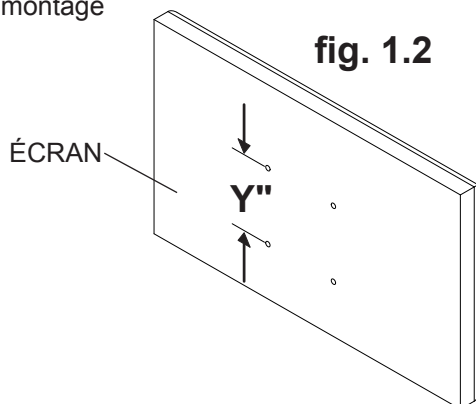
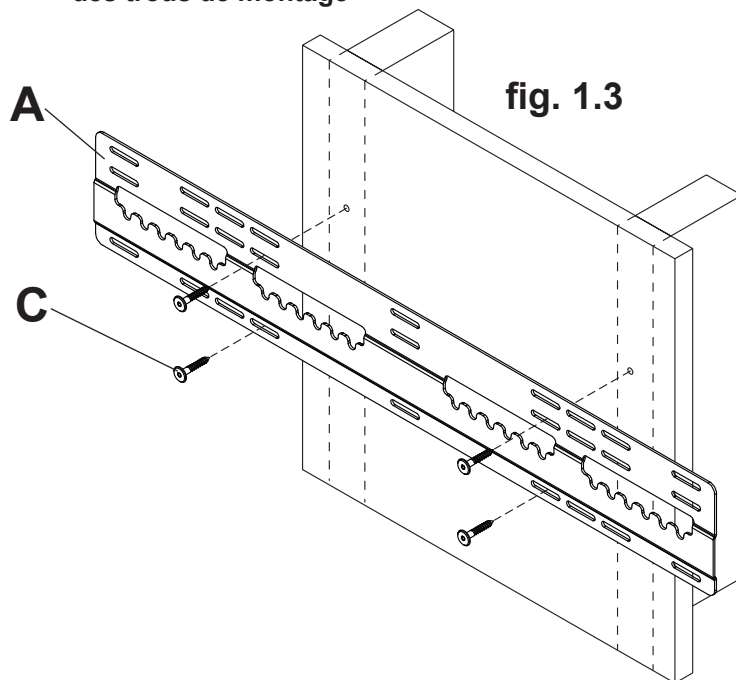


fig. 1.3

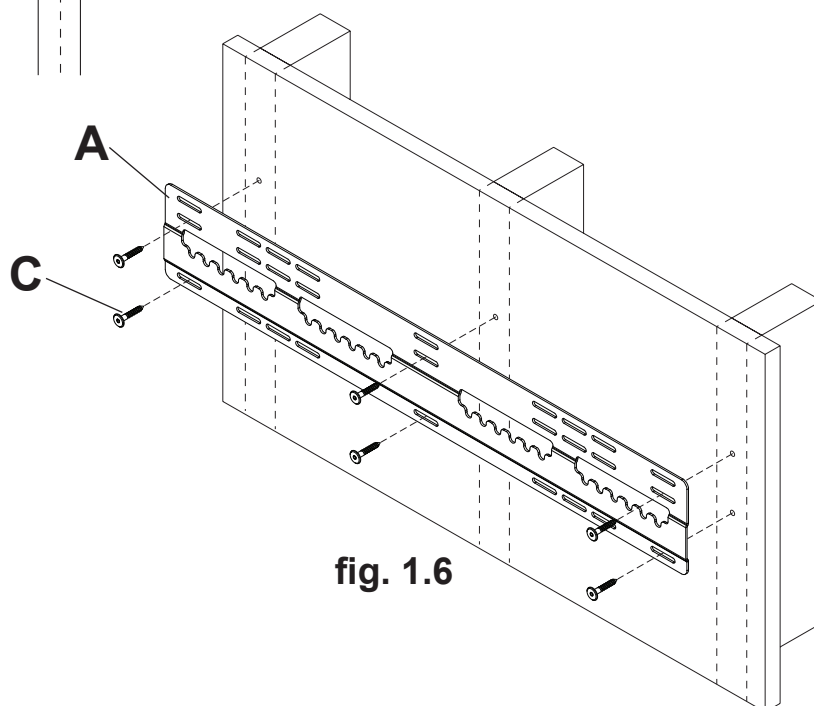
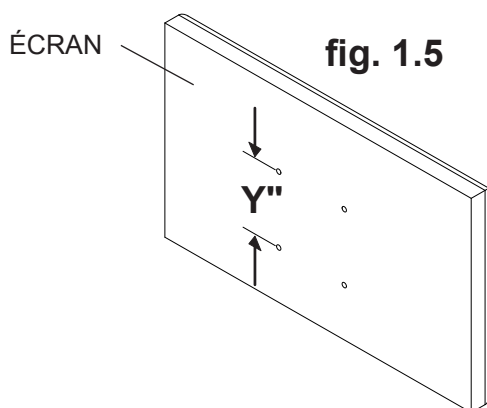
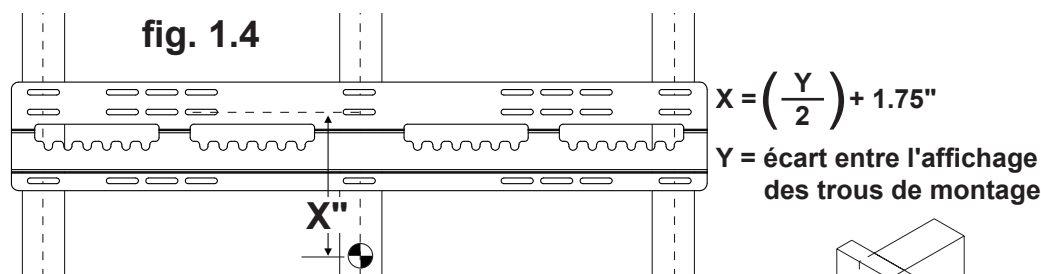


## Installation sur un mur à triples montants en bois

### ▲ AVERTISSEMENT

- L'installateur doit s'assurer que la surface de support pourra soutenir sans danger la charge combinée de l'équipement, de toute sa visserie et de tous ses composants.
- Serrez les vis à bois de manière que la plaque murale soit fermement fixée, mais sans excès. Un serrage excessif peut endommager les vis et en réduire considérablement le pouvoir de maintien.
- Ne serrez jamais à plus de 9 Nm (80 po-lb).
- Assurez-vous que les vis de montage sont ancrées au centre des montants. L'usage d'un localisateur de montants « bord à bord » est fortement conseillé.
- La visserie est fournie pour fixer la monture à travers une cloison sèche ou du plâtre d'épaisseur standard et dans des montants en bois. Il appartient aux installateurs de fournir la visserie nécessaire pour d'autres types de situations (non évalué UL).
- Lors de l'installation de supports muraux Peerless sur un mur à montants en bois recouvert de plaque de plâtre (cloison sèche), assurez-vous que les montants en bois ont une dimension nominale d'au moins 2 po X 4 po. Lors de l'installation à plus d'un montant, veillez à ce que l'espace entre les montants soit d'au moins 16 po mais ne dépasse pas 24 po. Ne pas installer sur une plaque de plâtre de plus de 5/8 po d'épaisseur.

- 1** La plaque murale (A) peut être installée sur trois montants espacés de 16 po. Repérez le bord des montants à l'aide d'un localisateur de montants. L'utilisation d'un localisateur de montants « bord à bord » est fortement recommandée. Après avoir repéré les bords, tracez une ligne verticale le long du centre de chaque montant. Posez la plaque murale sur le mur et utilisez-la comme gabarit. Les fentes de montage supérieures doivent être situées X po au-dessus du centre d'exposition, comme illustré à la figure 1.4 et 1.5. Mettez la plaque à niveau et marquez le centre des six trous de fixation. Veillez à ce que les trous de fixation soient sur la ligne médiane du montant. Percez six trous de 5/32 po (4mm) de dia. et de 2 po (51mm) de profondeur. Veillez à ce que la plaque murale soit de niveau et fixez-la à l'aide de six vis à bois (C) comme illustré à la figure 1.6.

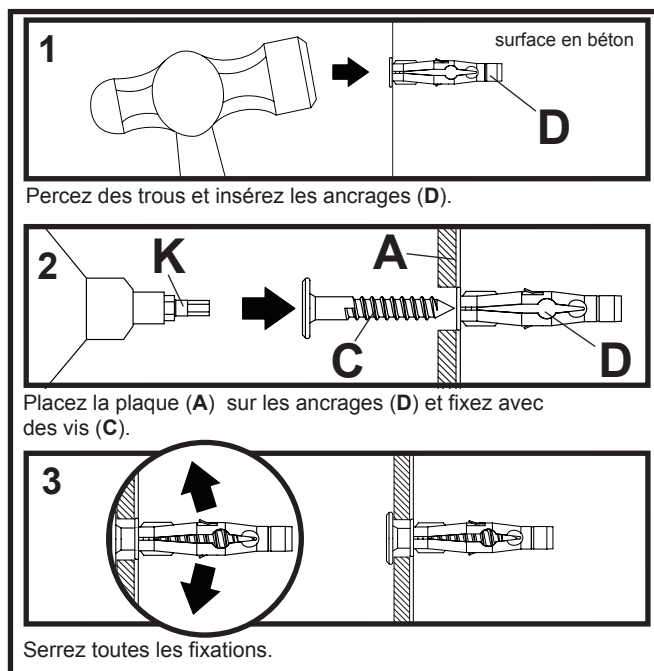




## ⚠ AVERTISSEMENT

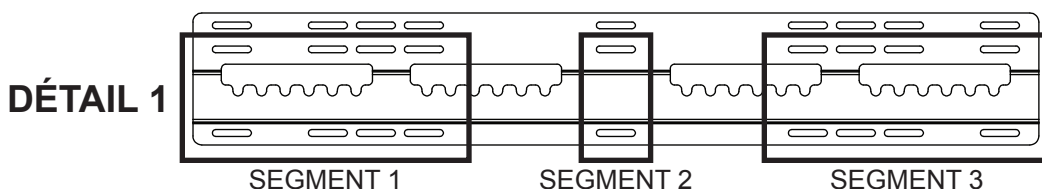
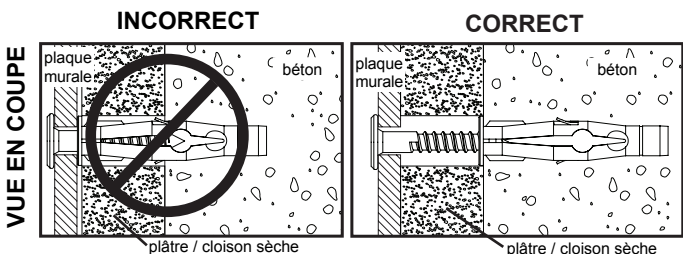
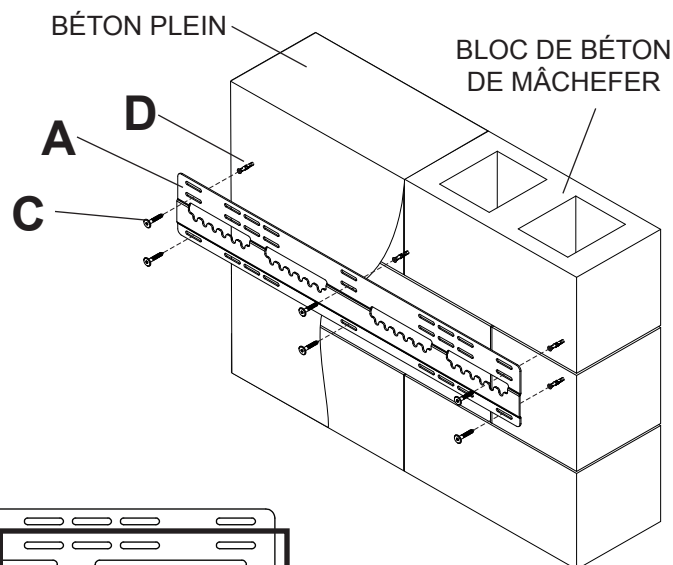
- Lors de l'installation de supports muraux Peerless sur un mur de béton, celui-ci doit avoir au moins 8 po d'épaisseur, avec une résistance à la compression minimale de 2000 psi.
- Lors de l'installation de supports muraux Peerless sur un mur en blocs de béton, ceux-ci doivent respecter les spécifications ASTM C-90 et avoir une largeur nominale d'au moins 8 po. Ne percez pas dans les joints de mortier! Veillez à installer le support dans une partie solide du bloc, généralement à un minimum de 1 po (25 mm) à partir du côté du bloc. Il est conseillé de percer le trou à l'aide d'une perceuse électrique standard à vitesse basse plutôt que d'un marteau perforateur afin d'éviter de briser le fond du trou lorsque vous entrez dans un vide ou une cavité.
- Ne fixez jamais des chevilles à expansion à du béton ou du bloc de béton recouvert d'une couche de plâtre, d'une cloison sèche ou de tout autre matériau de finition.
- Vis à bois deux (C) doit être installé dans la plaque murale (A) dans chaque segment tel que montré dans le détail 1, ou le produit détérioré.

**1** Assurez-vous que la plaque murale (A) est de niveau et utilisez-la comme gabarit pour marquer l'emplacement des six trous de fixation. Les fentes de montage supérieures doivent être situées X po au-dessus du centre d'exposition, comme illustré à la figure 1.4 et 1.5 en page 23. Percez six trous de 5/16 po (8mm) de dia. à une profondeur minimale de 2,5 po (64mm). Insérez les chevilles d'ancrage (D) dans les trous au ras du mur comme illustré (à droite). Posez la plaque murale sur les chevilles d'ancrage et fixez-la à l'aide de six vis à bois (C). Assurez-vous qu'elle est de niveau, puis serrez toutes les fixations.



## ⚠ AVERTISSEMENT

- Serrez les vis de manière que la plaque murale soit fermement fixée, mais sans excès. Un serrage excessif peut endommager les vis et en réduire considérablement le pouvoir de maintien.
- Ne serrez jamais à plus de 9 Nm (80 po-lb).
- Fixez toujours des ancrages de béton directement sur du béton porteur.
- Ne fixez jamais d'ancrages sur du béton recouvert de plâtre, une cloison sèche ou autre matériau de finition. Si vous ne pouvez pas éviter d'effectuer le montage sur du béton recouvert d'une surface de finition (non évalué UL), celle-ci doit être chambrée, comme indiqué ci-dessous. Assurez-vous que les ancrages de béton ne se séparent pas du béton lorsque vous serrez les vis. Si l'épaisseur du plâtre / de la cloison sèche dépasse 1,5 cm (5/8 po), des fixations adaptées devront être fournies par l'installateur (non évalué UL).





## Montage des vis de l'écran

### ⚠ AVERTISSEMENT

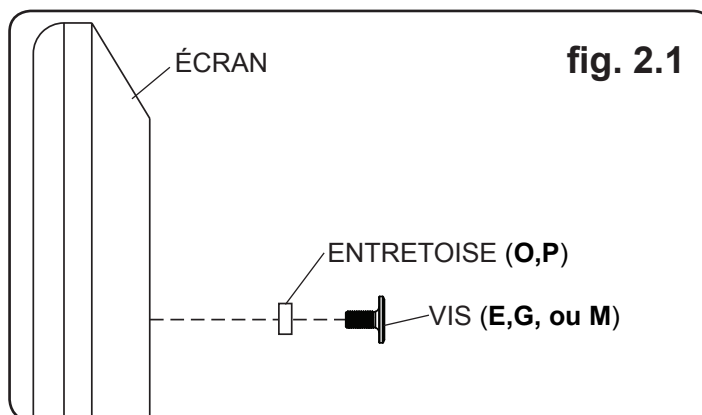
- Serrez les vis de manière à fixer solidement les supports adaptateurs. N'employez pas une force excessive pour ce faire. Un serrage excessif peut causer des contraintes risquant d'endommager les vis, de réduire considérablement leur pouvoir de maintien et d'en détacher les têtes. Serrez les vis à un couple maximum de 4,5 Nm (40 po-lb).
- Si les vis ne sont pas enfoncées de trois tours complets dans les inserts ou si elles sont serrées au maximum sans parvenir à maintenir solidement le support, l'écran peut être abîmé ou le produit détérioré.

**2** Afin d'éviter de rayer l'écran, posez un morceau de tissu sur une surface plane et de niveau qui peut supporter le poids de l'écran. Posez l'écran à plat, tourné vers le bas. Si l'écran possède des boutons à l'arrière, enlevez-les pour pouvoir fixer les supports adaptateurs.

**REMARQUE** : Les trous supérieurs et inférieurs de l'écran doivent toujours être utilisés.

### Pour les écrans à dos plat

**2-1** Commencez par la vis la plus courte (**E, G ou M**) et vissez-la à la main dans l'entretoise de 1/8 po (**O, P**) puis dans l'écran, comme illustré à la figure 2.1. La vis doit effectuer au moins trois tours complets dans le trou de fixation et tenir solidement en place. Ne pas trop serrer. S'il est impossible d'effectuer trois tours de vis complets, choisissez une vis plus longue (**F, H ou N**) dans le jeu de fixations à compartiments. Répétez pour le reste des trous de fixation et resserrez les vis.



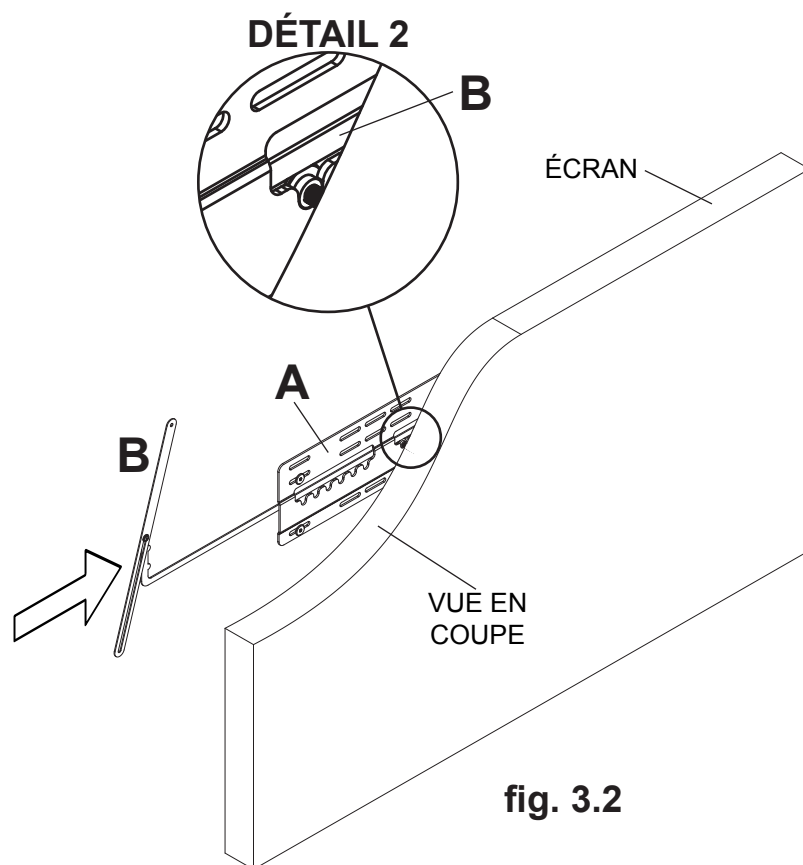
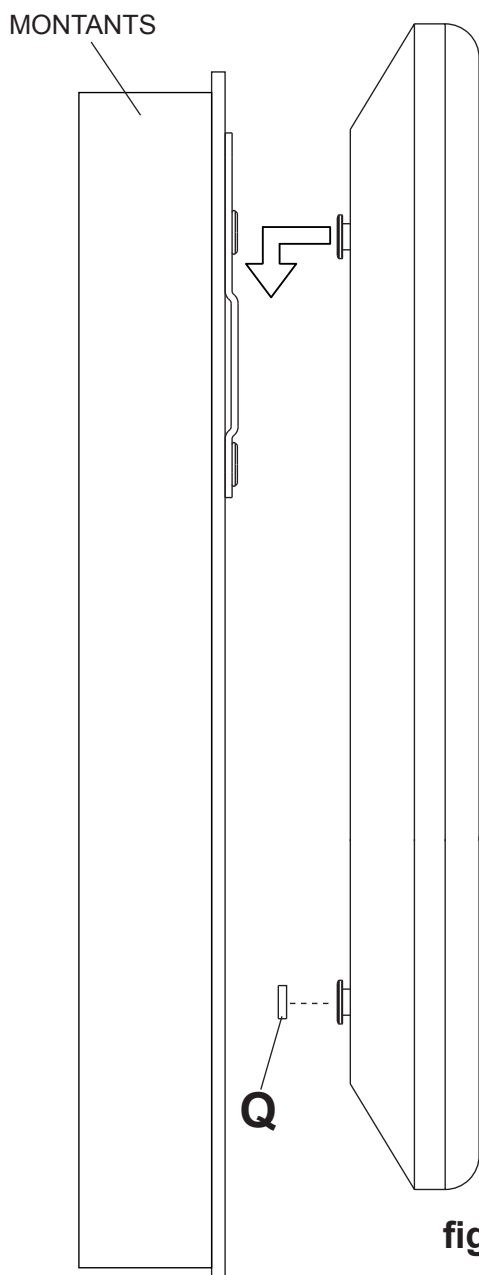
## Montage d'un écran plat

### ⚠ AVERTISSEMENT

- Pour lever et positionner l'écran plasma en toute sécurité, faites-vous toujours aider par une autre personne ou utilisez un matériel de levage mécanique.

- 3** Posez les protecteurs en tissu (**Q**) sur les vis de montage inférieures comme illustré à la figure 3.1.  
Accrochez les vis de montage supérieures aux rainures de la plaque murale.

Afin de faire tenir l'écran en place une fois accroché, insérez le bras de verrouillage (**B**) dans le côté de la plaque murale comme illustré à la figure 3.2. Veillez à ce que le bras de verrouillage repose sur le dessus des vis de montage comme illustré dans le dessin de détail 2.

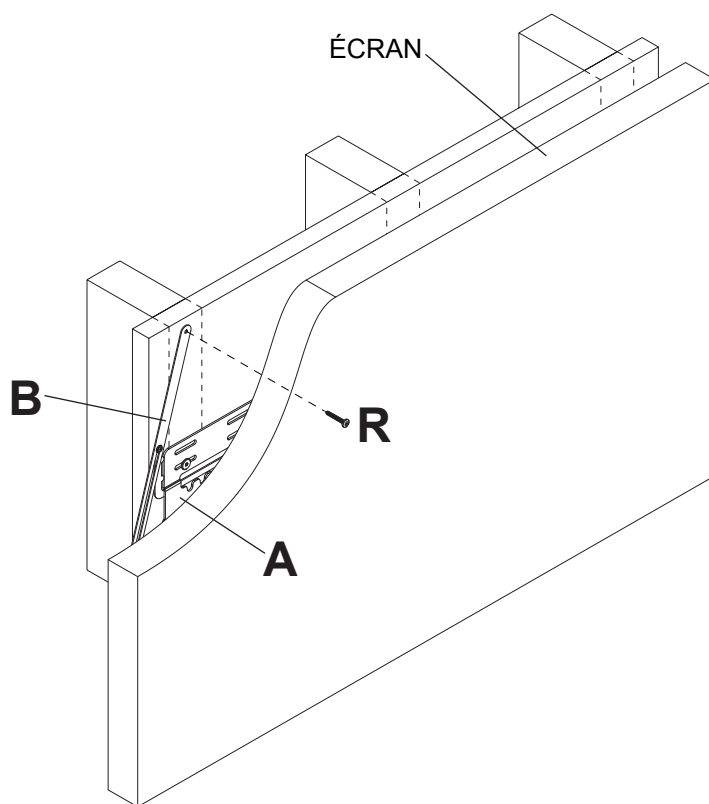


## FACULTATIF : Fixation du bras de verrouillage

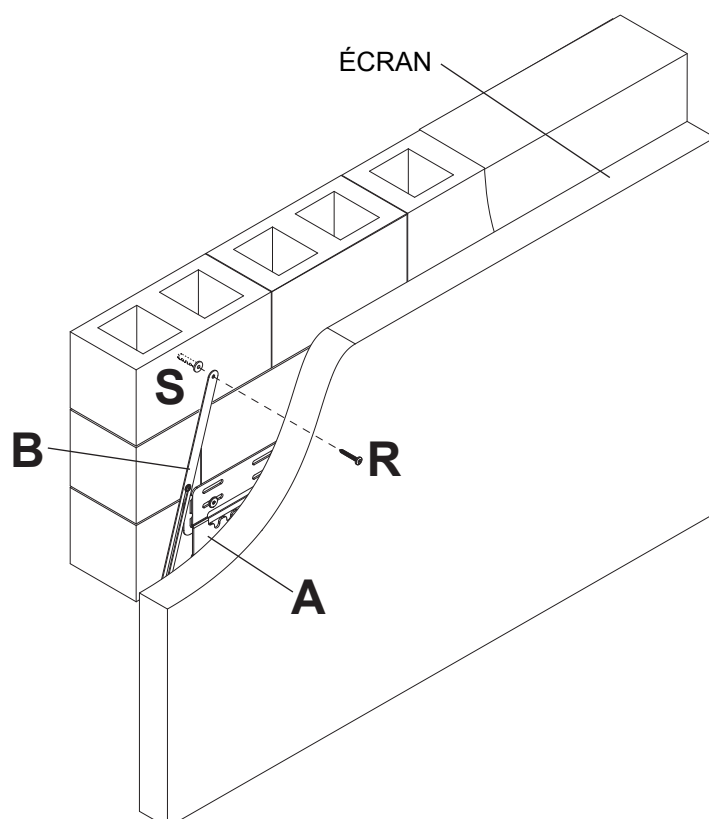
**⚠ ATTENTION**

- Prenez garde à ne pas vous pincer les doigts en le fixation du bras de verrouillage (**B**).

**4** **MONTANT EN BOIS** : Réglez le bras de verrouillage (**B**) jusqu'à ce qu'il soit aligné avec le montant en bois et fixez-le à l'aide d'une vis à bois de sécurité no 10 x 1-1/2 po (**R**). Si le bras de verrouillage est difficile à régler, le spin du bras pour desserrer commune.



**4** **BÉTON/BLOC DE BÉTON** : Réglez le bras de verrouillage (**B**) dans la position souhaitée, marquez le centre du trou de fixation et percez un trou de 1/4 po (6mm) de dia. à une profondeur minimale de 2 po. Insérez l'ancrage alligator (**S**) dans le trou et fixez le bras de verrouillage (**B**) à l'aide d'une vis à bois de sécurité no 10 x 1-1/2 po (**R**). Si le bras de verrouillage est difficile à régler, le spin du bras pour desserrer commune.



# LIMITED FIVE-YEAR WARRANTY

Peerless Industries, Inc. ("Peerless") warrants to original end-users of Peerless® products will be free from defects in material and workmanship, under normal use, for a period of five years from the date of purchase by the original end-user (but in no case longer than six years after the date of the product's manufacture). At its option, Peerless will repair or replace, or refund the purchase price of, any product which fails to conform with this warranty.

**In no event shall the duration of any implied warranty of merchantability or fitness for a particular purpose be longer than the period of the applicable express warranty set forth above.** Some states do not allow limitations on how long an implied warranty lasts, so the above limitation may not apply to you.

This warranty does not cover damage caused by (a) service or repairs by the customer or a person who is not authorized for such service or repairs by Peerless, (b) the failure to utilize proper packing when returning the product, (c) incorrect installation or the failure to follow Peerless' instructions or warnings when installing, using or storing the product, or (d) misuse or accident, in transit or otherwise, including in cases of third party actions and force majeure.

**In no event shall Peerless be liable for incidental or consequential damages or damages arising from the theft of any product, whether or not secured by a security device which may be included with the Peerless® product.** Some states do not allow the exclusion or limitation of incidental or consequential damages, so the above limitation or exclusion may not apply to you.

This warranty is in lieu of all other warranties, expressed or implied, and is the sole remedy with respect to product defects. No dealer, distributor, installer or other person is authorized to modify or extend this Limited Warranty or impose any obligation on Peerless in connection with the sale of any Peerless® product.

This warranty gives specific legal rights, and you may also have other rights which vary from state to state.



[www.peerlessmounts.com](http://www.peerlessmounts.com)

© 2011 Peerless Industries, Inc.

Español

# GARANTÍA LIMITADA DE CINCO AÑOS

Peerless Industries, Inc. (Peerless) les garantiza a los usuarios finales originales de los productos Peerless® que los productos Peerless® estarán libres de defectos de materiales o de manufactura, en condiciones de uso normal, durante un periodo de cinco (5) años a partir de la fecha en la que el usuario final original compre cualquier producto (pero, en ningún caso, durante un periodo mayor de 6 años después de la fecha de manufactura del producto). Queda a la discreción de Peerless, reparar, reemplazar o rembolsar el precio de compra de cualquier producto que no cumpla esta garantía.

**La duración de toda garantía implícita de comerciabilidad o de idoneidad para un propósito en particular no sobrepasará en caso alguno el periodo de vigencia de la garantía explícita correspondiente indica en lo anterior.** Algunos Estados no permiten que se establezcan limitaciones en relación con el periodo de duración de una garantía implícita, de manera que es posible que la limitación expuesta en lo anterior no sea pertinente a usted.

Esta garantía no cubre daños causados por (a) trabajos de mantenimiento o de reparación hechos por el cliente o alguna persona que no esté autorizada por Peerless para realizar dichos trabajos de mantenimiento o de reparación, (b) no empacar el producto como es debido si lo devuelve, (c) hacer una instalación incorrecta o no seguir las instrucciones o las advertencias de Peerless al instalar, utilizar o guardar el producto o (d) el mal uso o los accidentes, en tránsito o en otras circunstancias, incluidos los casos relacionados con las acciones de terceros o una fuerza mayor.

**Peerless no tendrá responsabilidad en ningún caso de daños y perjuicios incidentales o indirectos o de daños y perjuicios que surjan por el robo de cualquier producto, ya sea que el mismo esté o no esté asegurado con un dispositivo de seguridad que se haya incluido con el producto de Peerless®.** Algunos Estados no permiten que se excluyan o se establezcan limitaciones en relación con los daños y perjuicios incidentales o indirectos, de manera que es posible que la limitación o la exclusión expuesta en lo anterior no sea pertinente a usted.

Esta garantía reemplaza toda otra garantía, expresa o implícita, y es el único recurso en lo que respecta a los defectos del producto. Ningún concesionario, distribuidor, instalador ni ninguna otra persona está autorizada a modificar o extender esta Garantía Limitada ni a imponer obligación alguna a Peerless en relación con la venta de cualquier producto de Peerless®.

Esta garantía concede derechos específicos creados por ley y es posible que usted, además, tenga otros derechos que varían de acuerdo con el Estado donde se encuentre.



[www.peerlessmounts.com](http://www.peerlessmounts.com)

© 2011 Peerless Industries, Inc.

# GARANTIE DE CINQ ANS

Peerless Industries, Inc. (« Peerless ») garantit aux utilisateurs finaux d'origine des produits Peerless<sup>MD</sup> que lesdits produits ne présenteront aucun défaut de matériau ou de main-d'œuvre, dans la mesure où ils sont utilisés normalement, pendant une période de cinq ans à compter de la date d'achat par l'utilisateur final d'origine (mais en aucun cas plus de six ans après la date de fabrication du produit). Peerless, à sa discrétion, réparera ou remplacera tout produit non conforme aux termes de cette garantie, ou en remboursera le prix d'achat.

**La durée de toute garantie implicite de qualité commerciale ou d'application à un usage particulier n'excédera en aucun cas la durée de la garantie applicable expressément stipulée plus haut.** Certains états ou provinces n'autorisent pas la limitation de la durée d'une garantie implicite, et la limitation ci-dessus peut donc ne pas vous être applicable.

Cette garantie ne couvre pas les dommages causés par (a) un entretien ou des réparations effectués par l'acheteur ou une personne non autorisée par Peerless à effectuer un tel entretien ou de telles réparations, (b) un emballage inadéquat lors de l'expédition d'un produit retourné, (c) une installation incorrecte ou le non-respect des instructions ou mises en garde de Peerless lors de l'installation, l'utilisation ou le rangement du produit, ou (d) une mauvaise utilisation ou un accident survenu lors d'un transport ou autrement, y compris l'intervention de tiers et les cas de force majeure.

**Peerless ne peut en aucun cas être tenu responsable de quelque dommage accessoire ou indirect que ce soit ni de dommages résultant du vol d'un quelconque produit, que celui-ci ait été ou non protégé par un dispositif de sécurité intégré à un produit Peerless<sup>MD</sup>.** Certains états ou provinces n'autorisent pas l'exclusion ou la restriction des dommages accessoires ou indirects, et il est possible que les restrictions ou exclusions ci-dessus ne s'appliquent pas à votre cas.

Les dispositions de cette garantie remplacent toute autre garantie expresse ou implicite et constituent le seul recours possible en cas de défectuosité d'un produit. Aucun marchand, distributeur, installateur ou autre personne n'est autorisé à modifier ou étendre la portée de cette garantie limitée, ni à imposer quelque obligation ce que soit à Peerless en ce qui concerne la vente de tout produit Peerless<sup>MD</sup>.

Cette garantie offre des droits juridiques particuliers auxquels peuvent s'ajouter d'autres droits, susceptibles de varier d'une province ou d'un état à l'autre.



[www.peerlessmounts.com](http://www.peerlessmounts.com)

© 2011 Peerless Industries, Inc.