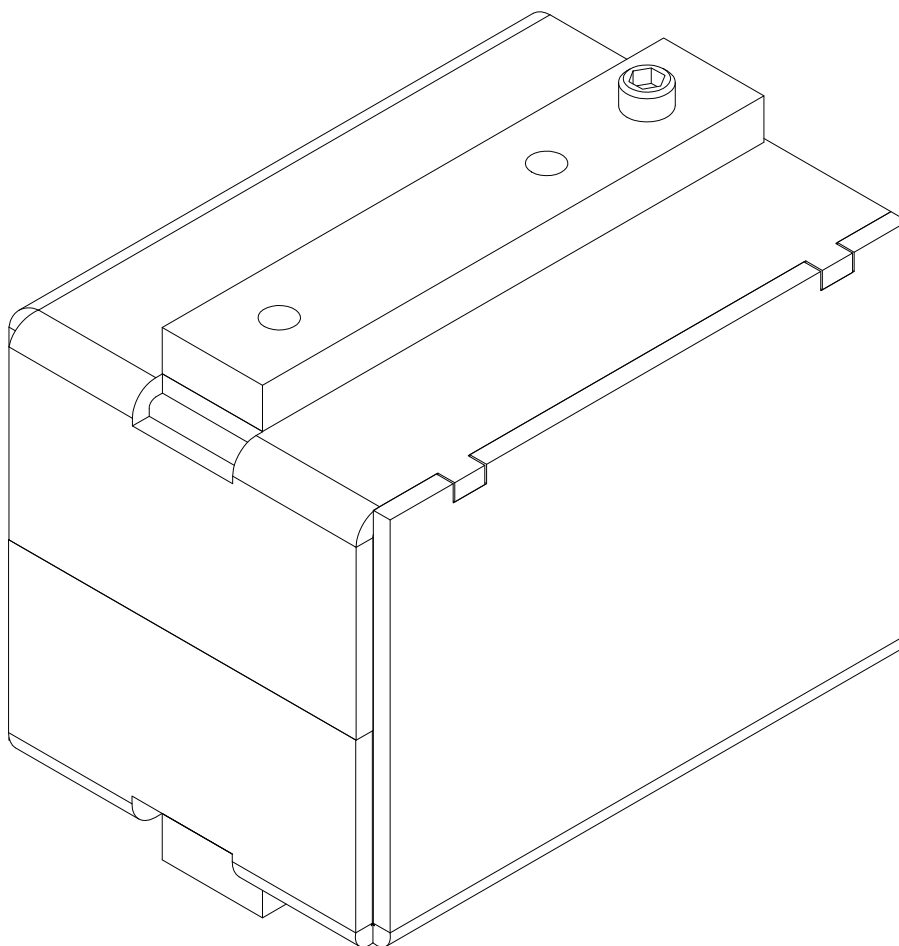




Installation and Assembly: Pole Drilling Fixture

Model: MOD-ADF



Note: Product may be different than illustrated.

WARNING

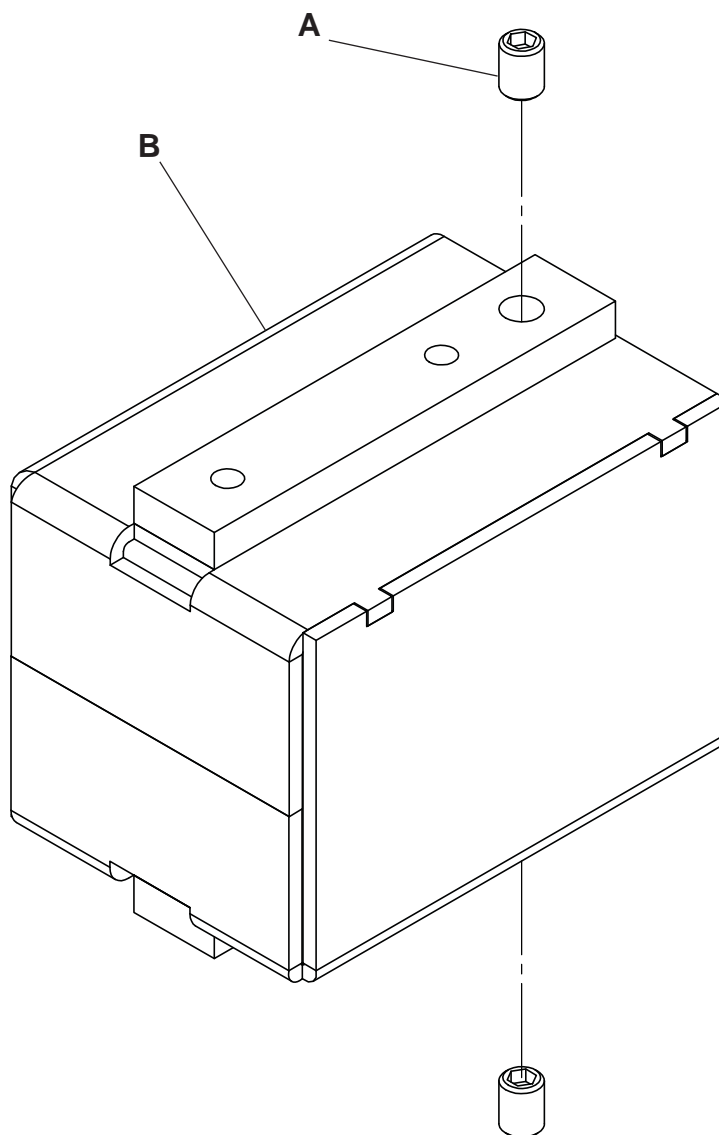
- Do not begin to install your Peerless product until you have read and understood the instructions and warnings contained in this Installation Manual. If you have any questions regarding any of the instructions or warnings, please contact Peerless using the information on the back of this manual.
- This product should only be installed by someone of good mechanical aptitude, has experience with basic building construction and fully understands these instructions.
- Always use an assistant or mechanical lifting equipment to safely lift and position equipment.
- Tighten screws firmly, but do not overtighten. Overtightening can damage the screws, greatly reducing their holding power.
- This product is intended for indoor use only. Use of this product outdoors could lead to product failure and personal injury.

Parts List		Qty
A	M6 x 8mm Allen Head Set Screw	2
B	Pole Drilling Fixture	1

Installation Pack Includes:

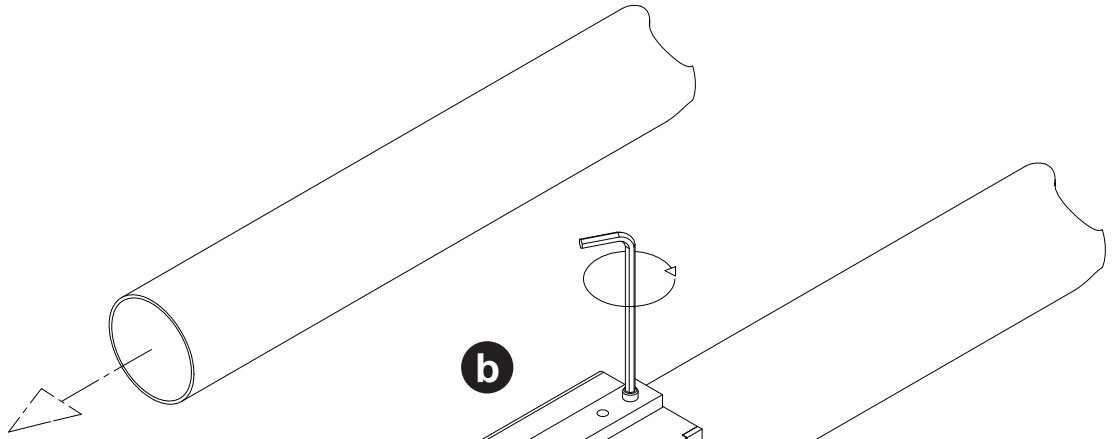
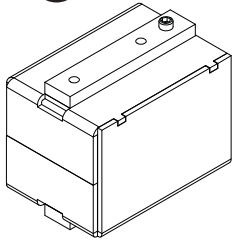


AA) 4mm Allen Key - for use with A (1)

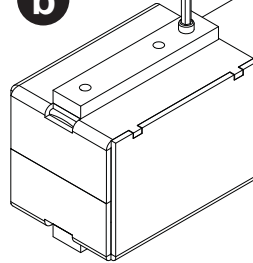


1

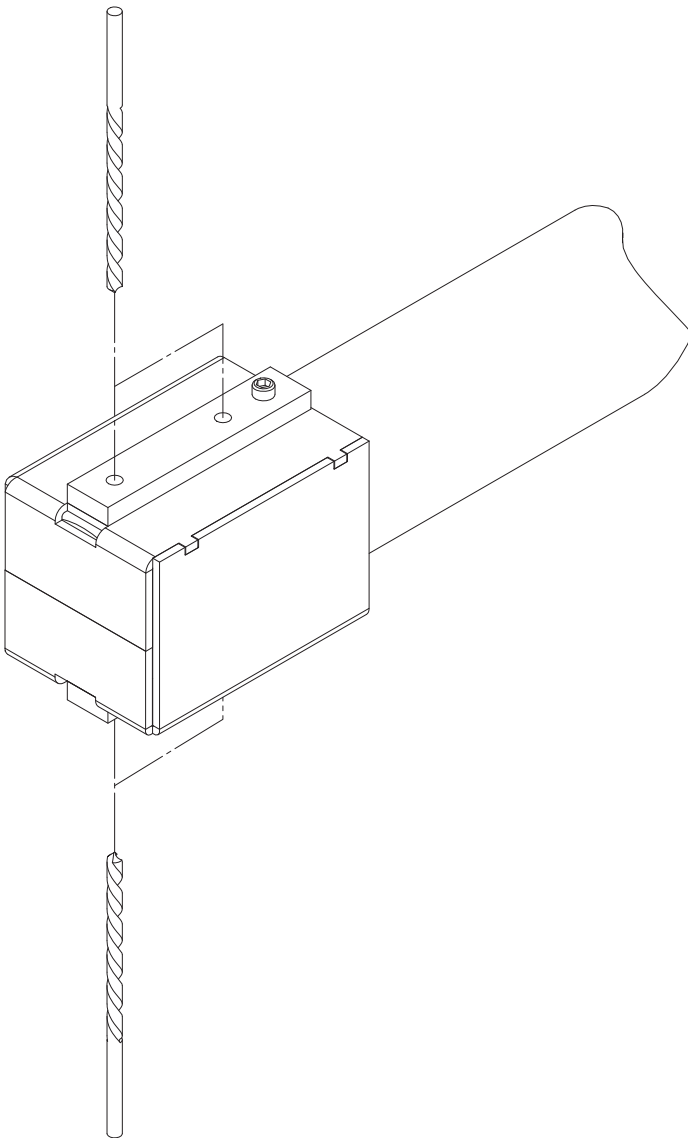
a



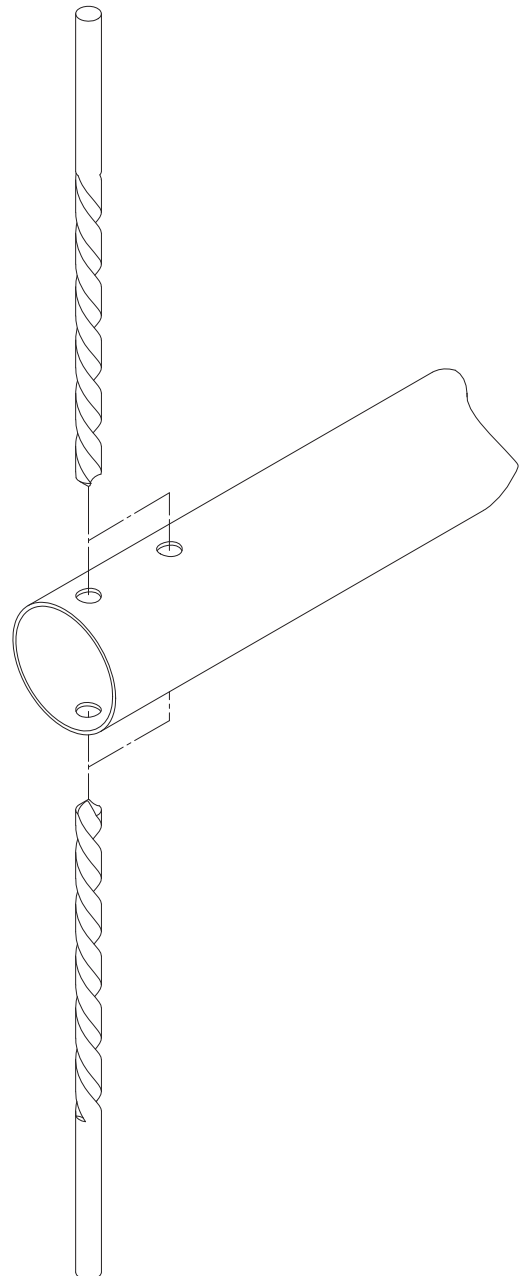
b



3



4



peerless-AV
uk

Peerless-AV UK

Unit 3 Watford Interchange, Colonial Way,
Watford, Herts WD24 4WP, United Kingdom

Tel: +44 (0)1923 200 100
Fax: +44 (0)1923 200 101
Email: info@peerless-av.co.uk
Web: www.peerless-av.co.uk

BBG Distribution Ltd, trading as Peerless-AV UK

peerless-AV
uk