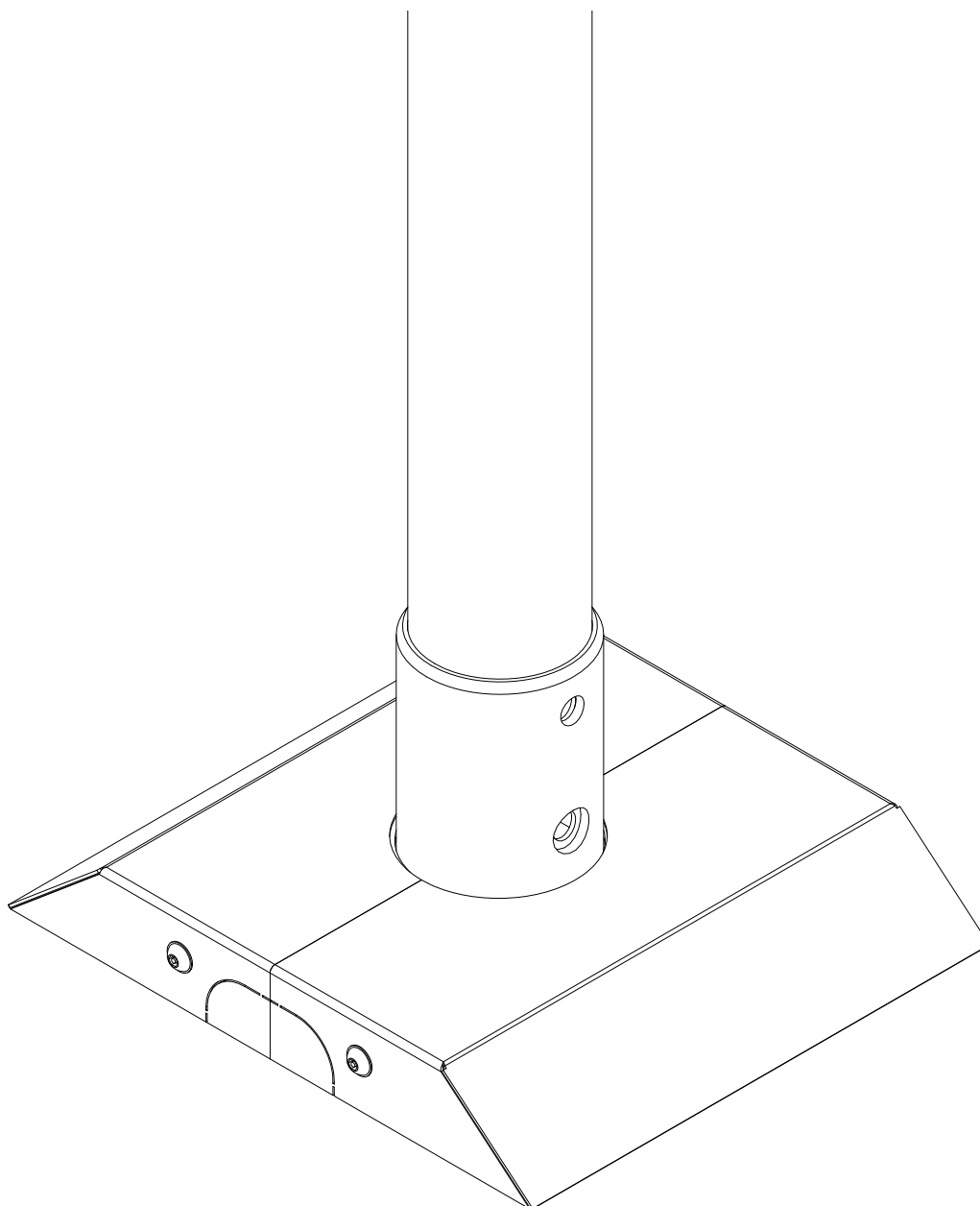




Installation and Assembly: Cover For MOD-CPF Ceiling Plate

Models: MOD-ACF



Note: Product may be different than illustrated.

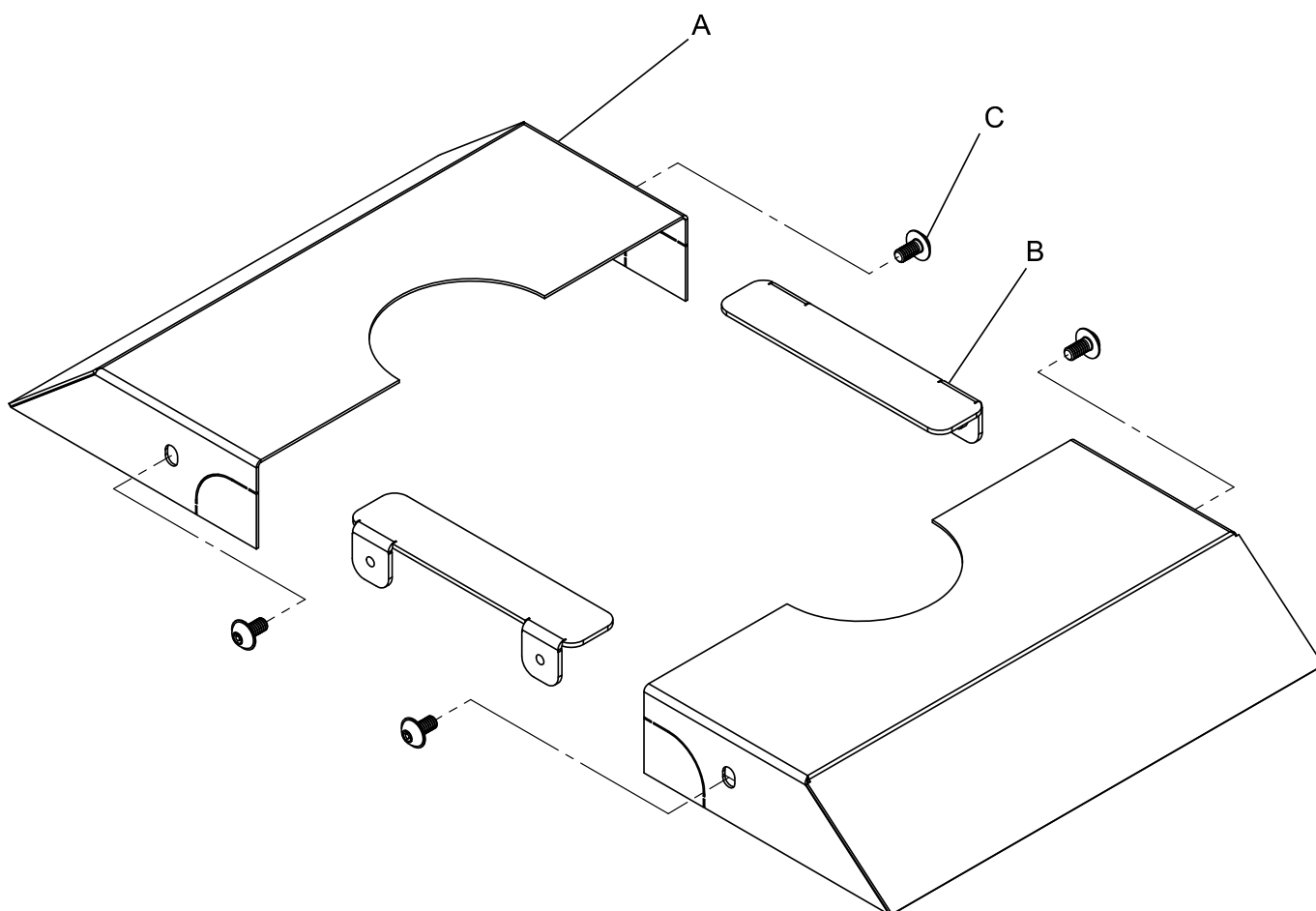
! WARNING

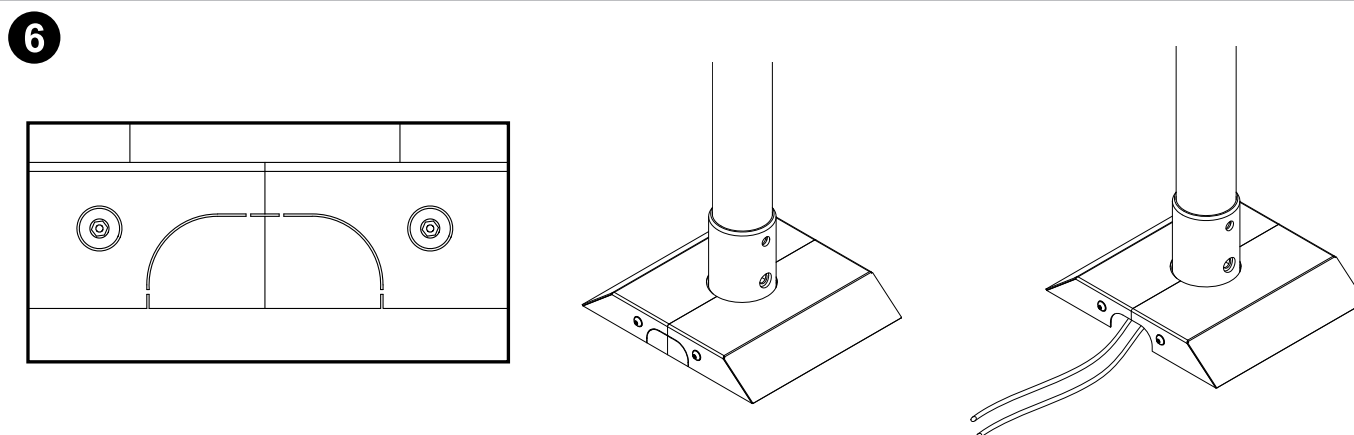
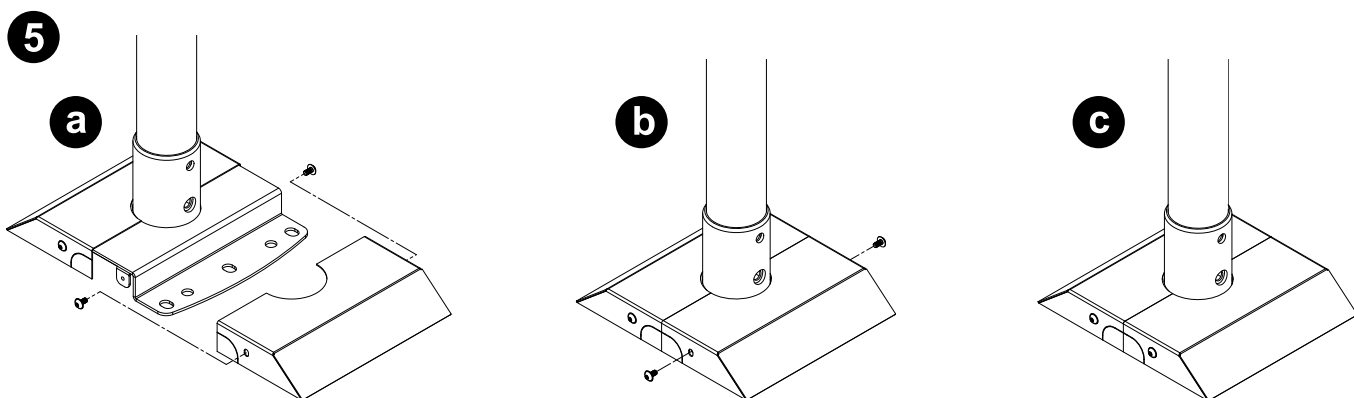
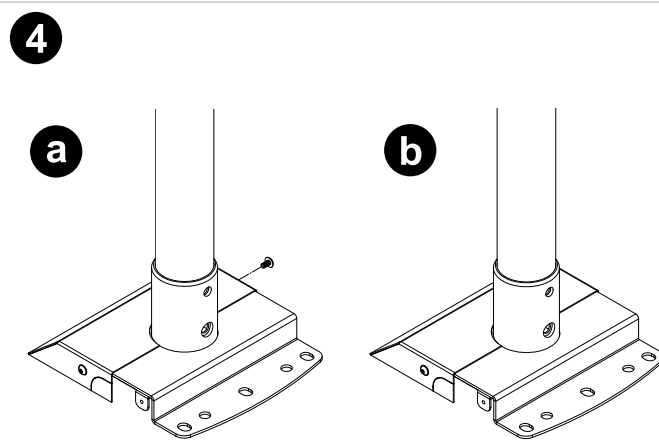
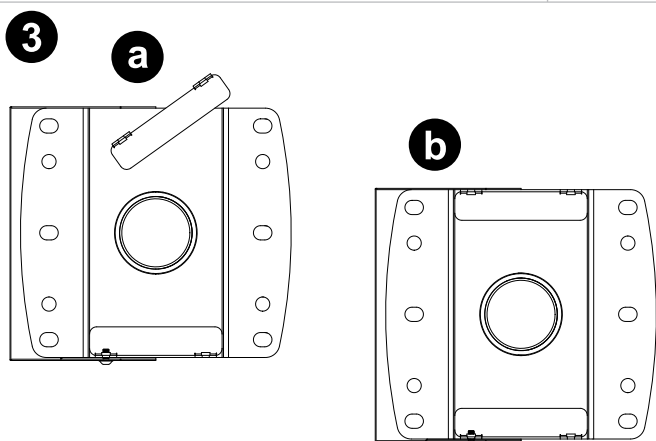
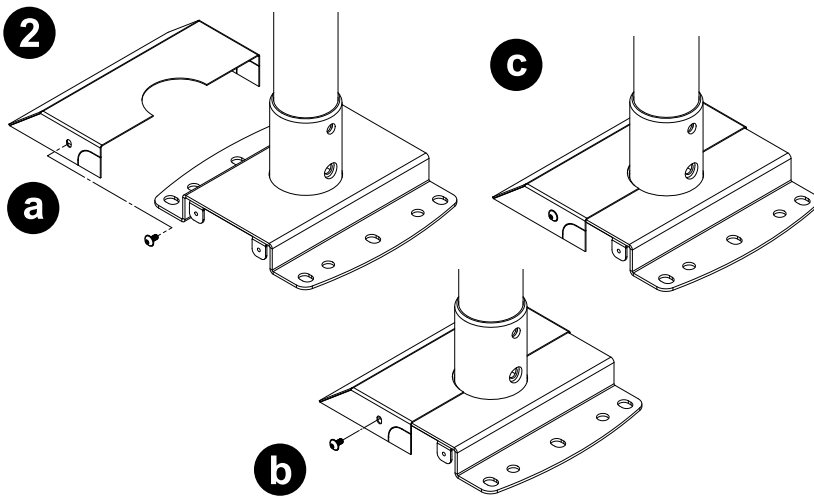
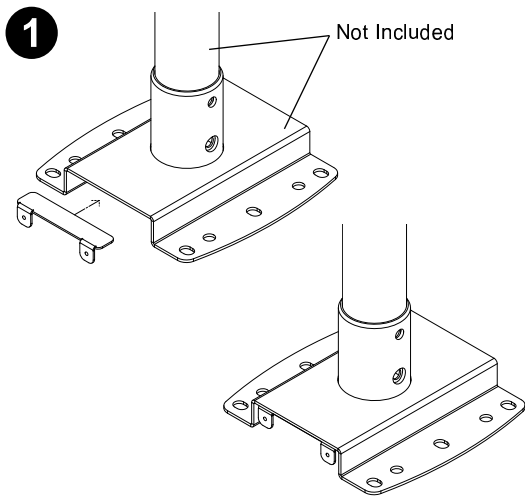
- Do not begin to install your Peerless product until you have read and understood the instructions and warnings contained in this Installation Manual. If you have any questions regarding any of the instructions or warnings, please contact Peerless using the information on the back of this manual.
- This product should only be installed by someone of good mechanical aptitude, has experience with basic building construction and fully understands these instructions.
- Make sure that the supporting surface is in good condition and will safely support the combined load of the equipment and all attached hardware and components.
- Never exceed the Maximum Load Capacity on Page One.
- If mounting to wood stud or joist, make sure that mounting screws are anchored into the centre of the studs. Use of an "edge-to-edge" stud finder is highly recommended.
- If mounting to concrete, breeze block, brick or other masonry material, do not drill into mortar joints. Ensure screw and anchor are installed into solid areas of surface.
- Always use an assistant or mechanical lifting equipment to safely lift and position equipment.
- Tighten screws firmly, but do not overtighten. Overtightening can damage the screws, greatly reducing their holding power.
- This product is intended for indoor use only. Use of this product outdoors could lead to product failure and personal injury.
- This product was designed to be installed on the following surfaces only:

WALL CONSTRUCTION
 Concrete, breeze block
 Wood joist
 Other surfaces

HARDWARE
Included
Included
See Accessories or contact Peerless

Parts List		Qty
A	Ceiling Plate Cover	2
B	Cover Connector	2
C	M4 x 10mm security screw	4
D	4mm security Allen key (not shown)	1





peerless-AV
uk

Peerless-AV UK

Unit 3 Watford Interchange, Colonial Way,
Watford, Herts WD24 4WP, United Kingdom

Tel: +44 (0)1923 200 100
Fax: +44 (0)1923 200 101
Email: info@peerless-av.co.uk
Web: www.peerless-av.co.uk

BBG Distribution Ltd, trading as Peerless-AV UK

peerless-AV
uk