

1 Identification of the parts (product number: 0693-03)

- a. curve
- b. rotation box & center
- c. 3 x pozidriv M3x4 screws
- d. 3 x hex M3x50 screws
- e. security ring
- f. 3 x pozidriv M3x12 screws
- g. 2 x hex M6x8 screws
- h. velvet feet
- i. rubber feet
- j. custom angled USB-C to USB-A cable
(-> Max power 5V 2A / No data transfer)

2 Angled USB cable

Click the included angled USB cable in the cable cutout.

3 Mounting the curve

1. Attach the velvet feet (in combination with rotation center) or rubber feet (when free standing)
2. Attach the rotation center to the curve with the 3 x pozidriv M3x4 screws in the countersunk holes
3. Place the rotation box in the surface (68 mm opening)
-> Replace M3x25 mounting screws with included M3x50 if necessary for thicker surface
4. Click the curve with rotation center on the rotation box
5. Mount security ring with the 3 x pozidriv M3x12 if necessary

4 Installing the Eve frame (not included)

Screw the Eve frame onto the curve (with the 2 hex M6 screws), taking into account the position of the frame.
Ensure the screws are positioned correctly, so they cannot damage the iPad.

5 Mounting the iPad

Mount the iPad in the Eve frame (not included) as described in the Eve installation manual.

Puck power supply (not included - product number: 610-02)

Install the Puck according to the instructions of the Puck manual.
Connect the included angled USB cable to the Puck.

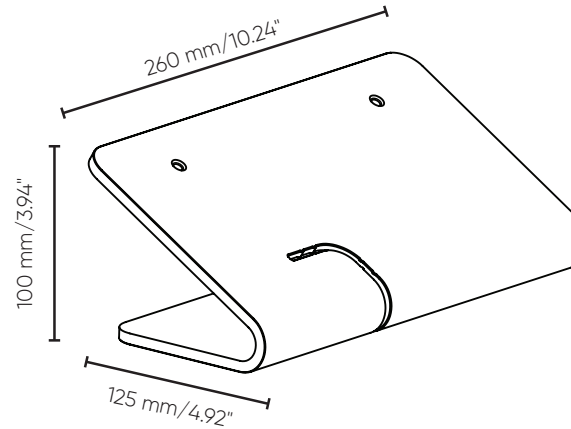
6 Removing the iPad

Remove the iPad from the frame as described in the Eve manual.

Dimensions

100 mm/3.94" x 125 mm/4.92" x 260 mm/10.24"

Perspective View



Eve Curve is compatible with Eve Air 11" (0676-xx not included)

Made in Belgium

Basalte is a registered trademark of Basalte bv.
Eve & curve are registered trademarks of Basalte bv.
Eve mini, Eve 9.7", Eve 10.2", Eve Pro 9.7"-11" & -12.9", Eve Air 11" and Eve touch are registered designs of Basalte bv.
iPad mini, iPad Air, iPad, iPad Pro and iPod touch are registered trademarks of Apple Inc.

Basalte bv

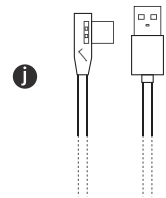
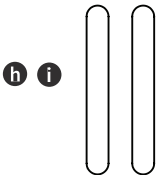
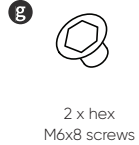
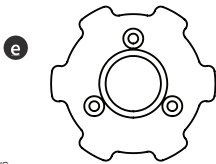
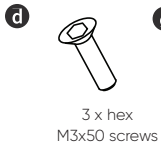
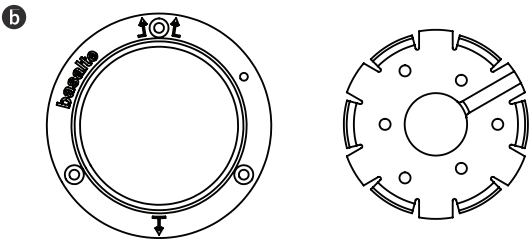
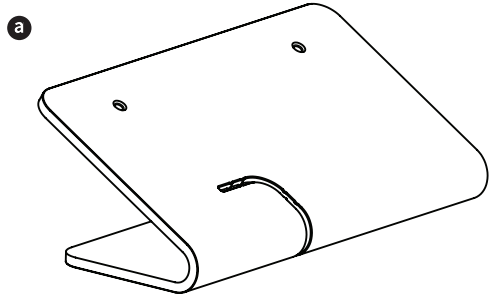
Hundelgemsesteenweg 1a
9820 Merelbeke
Belgium

tel +32 9 385 78 38

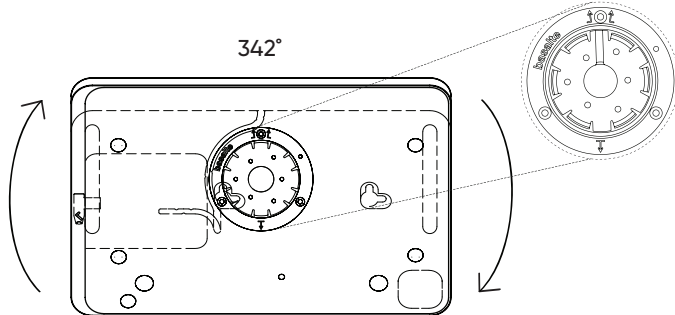
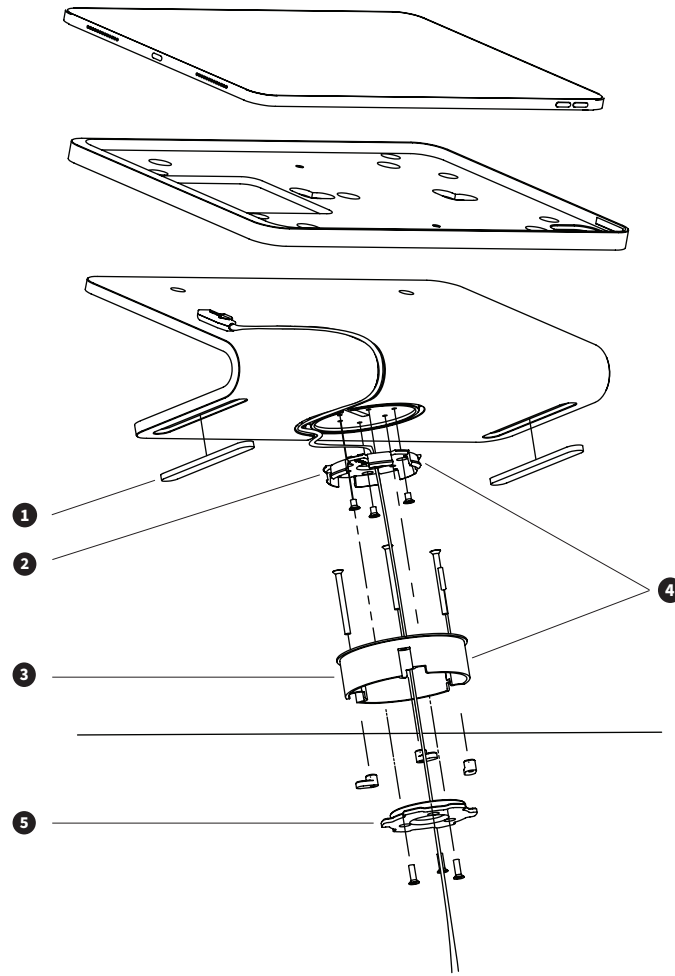
info@basalte.be
www.basalte.be

eve
curve

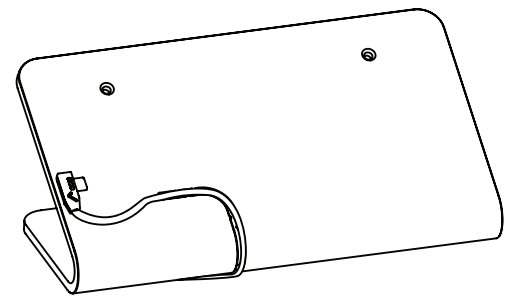
1



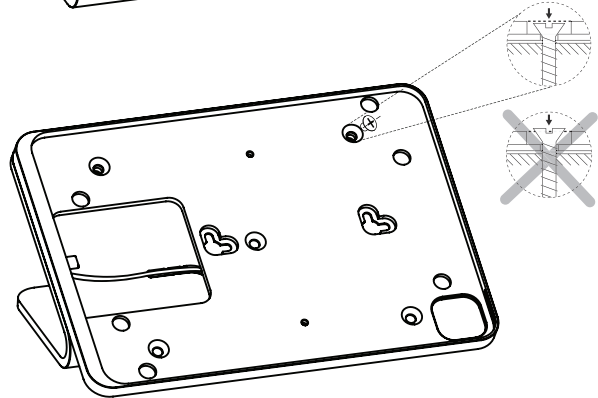
2



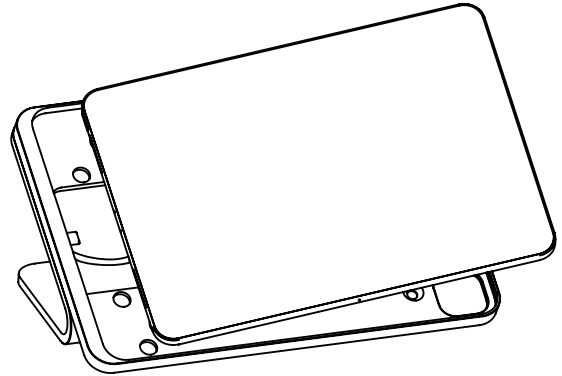
3



4



5



6

