

Table of Contents

Important Notice	2
Installing the Projection Lens.....	3
Part in Support Kits.....	3
Starting the Lens installation.....	4
Adjust the focus and focus plane.	6
Dimensions.....	7
About the VIVITEK support	8

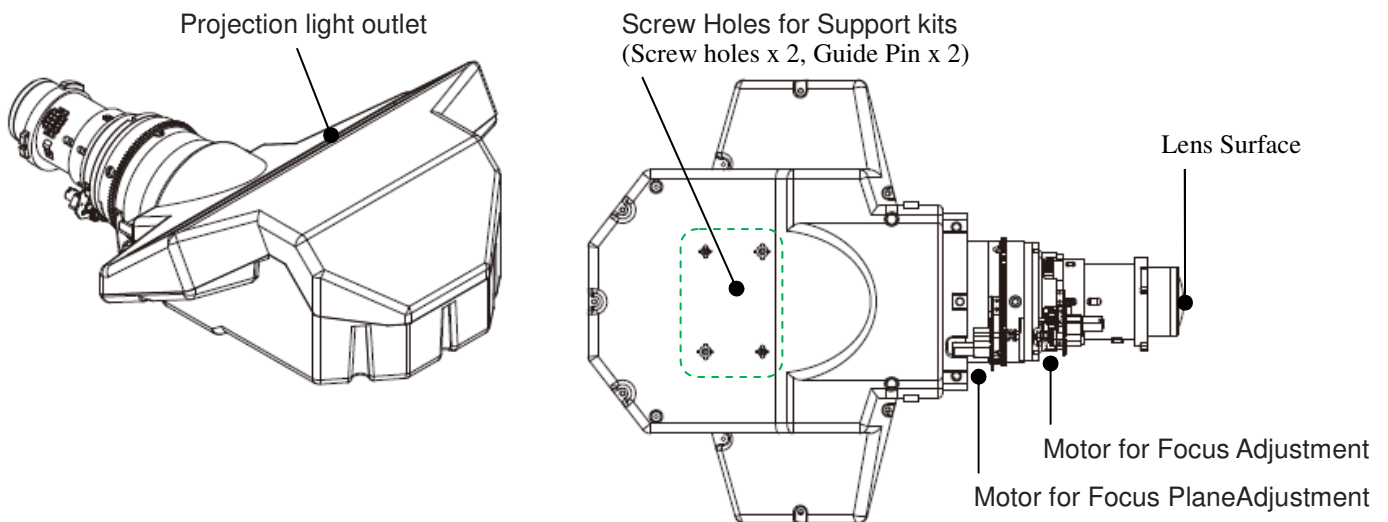
Important Notice

Before using the Ultra Short Lens, make sure to read below important notice.

- Be sure to turn the power off and disconnect the power cable from the wall outlet before replacing the Lens. Improper operation may cause to electrical shock or injury to eyes by unexpected light from the projector.
- Make sure the projective film on the Lens is removed before turning on the projector, the protective film may be melt during projection then resulting in damage or deformation.
- Simulated IR remote controller commands: Controls projector with serial command analog IR remote controller and its control keys.
- Do not place any object near the projection light path, the intense light from the projection lens may result in fire or burn injures.
- Make sure to loosen te screws at the joints of support kits before operating the lens shift, improper operation may cause to malfunctioned Lens shift.

Caution:

Projection Lens Overview



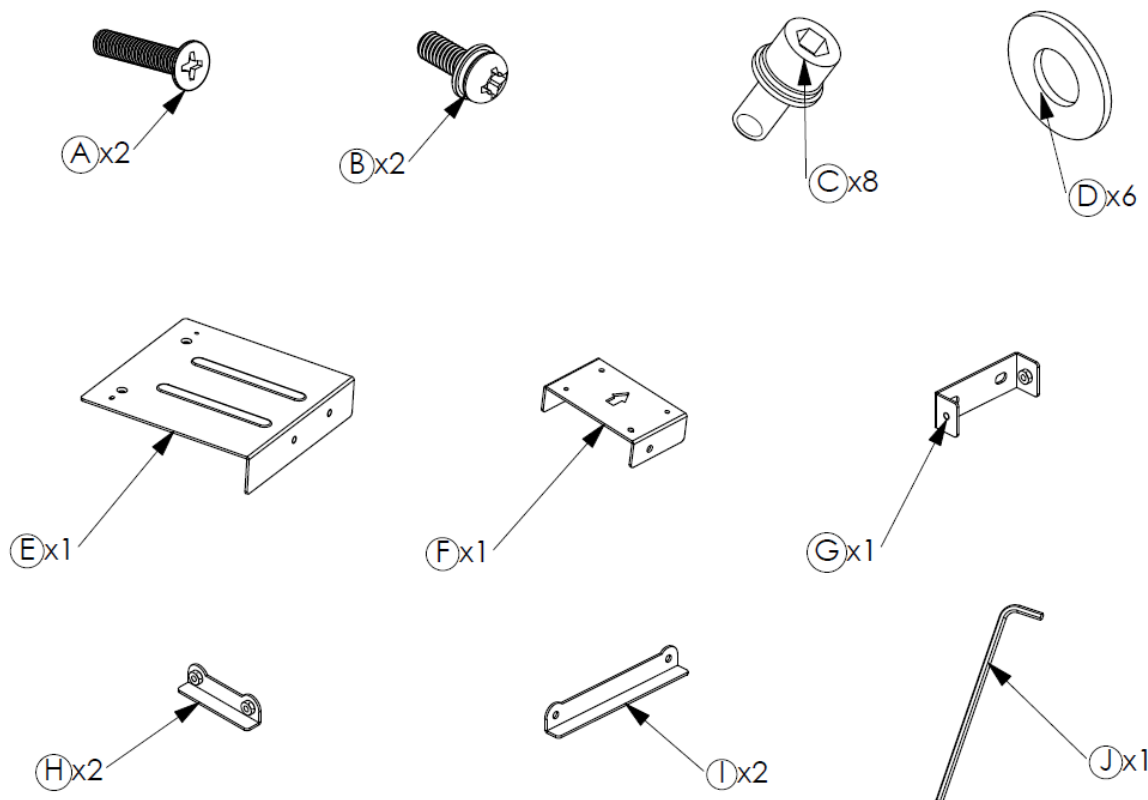
Installing the Projection Lens

Before Installation the Projection Lens

The lens is designed to allow large image projection where allowable throw distance is limited, The image is projected to the rear of the projector through the front top of the projector. For best projected image quality,

1. Select flat screen for the projecting image
2. Move the lens to the recommend or workable position.
3. Fix the projection lens by support kits after lens position is adjusted.
4. Adjust focus by FOCUS and ZOOM(Focus Plane) buttons

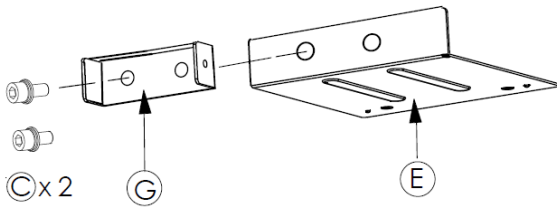
Part in Support Kits



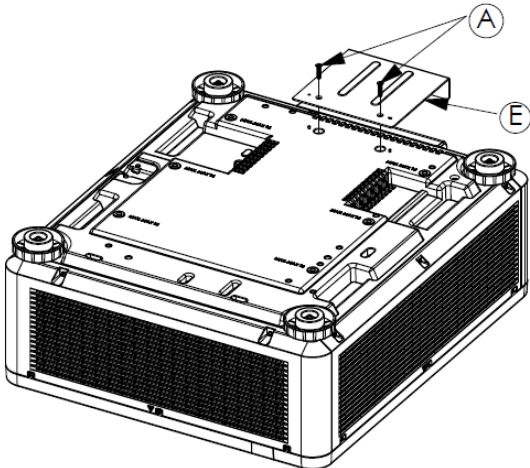
Part	Description	Qty.
Screw A	The screws are used to fixing Bracket E on th bottom of the projector	2
Scew B	The screws are used to fix Bracket F on the back of the projection lens	2
Screw C	Hex socket cap screws are used for jointing the brackets.	8
Washer D	The wasers are used for preventing the contact surface of two brackets are worn, it should be placed between two brackets when inserting the screw through the screw hole of the brackets	6
Bracket E	The bracket is mounted on the bottom of the projector.	1
Bracket F	The bracket is mounted on the bottom of the projector.	1
Bracket G	The bracket is fixed on Bracket E.	1
Bracket H	The bracket is for jointing Bracket F and I.	2
Bracket I	The bracket is fo jointing Bracket G and H.	2
Hex wrench J	The wrench is used to drive Screw C (Socket Cap Screw)	1

Starting the Lens installation

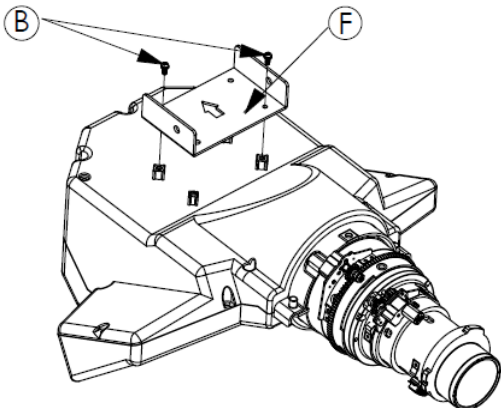
1. Assemble the bracket G on bracket E by two screw C



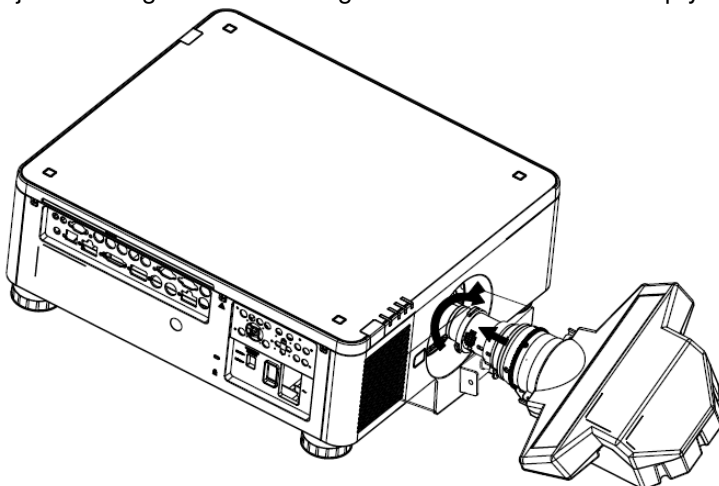
2. Assemble the Bracket E on the bottom of the projector using two screw A as below figure.



3. Assemble the Bracket F on the bottom of the projector using two Screw B.
Note: The arrow mark on Bracket F should point to the front of the projection lens as below figure.



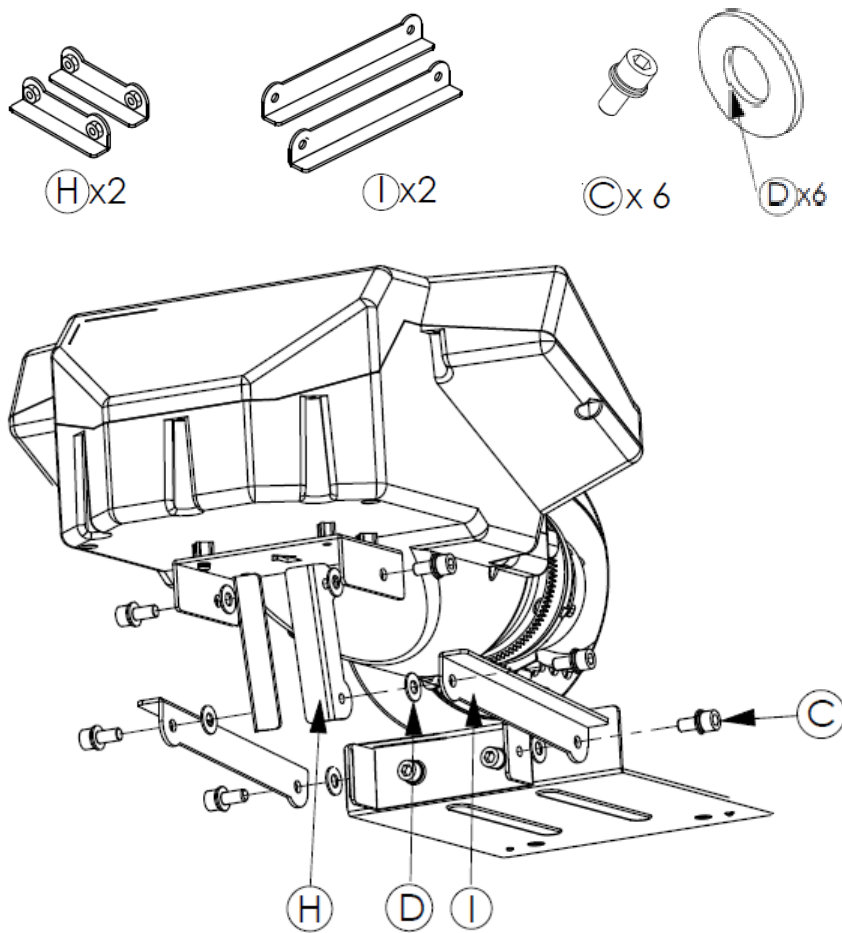
4. Align the "↑" symbol on the lens label with the "*" symbol on the top cover of the projector (align to the center of the lens hole) and pull in the lens. Make sure the lens is pushed into the holder and turn it clockwise to the "Lock" position.
Note: Before installing the lens on the projector, recommend to place the projector on a table and the front of the projector is aligned with the edge of the table. This can help you installing the projection lens more convenient.



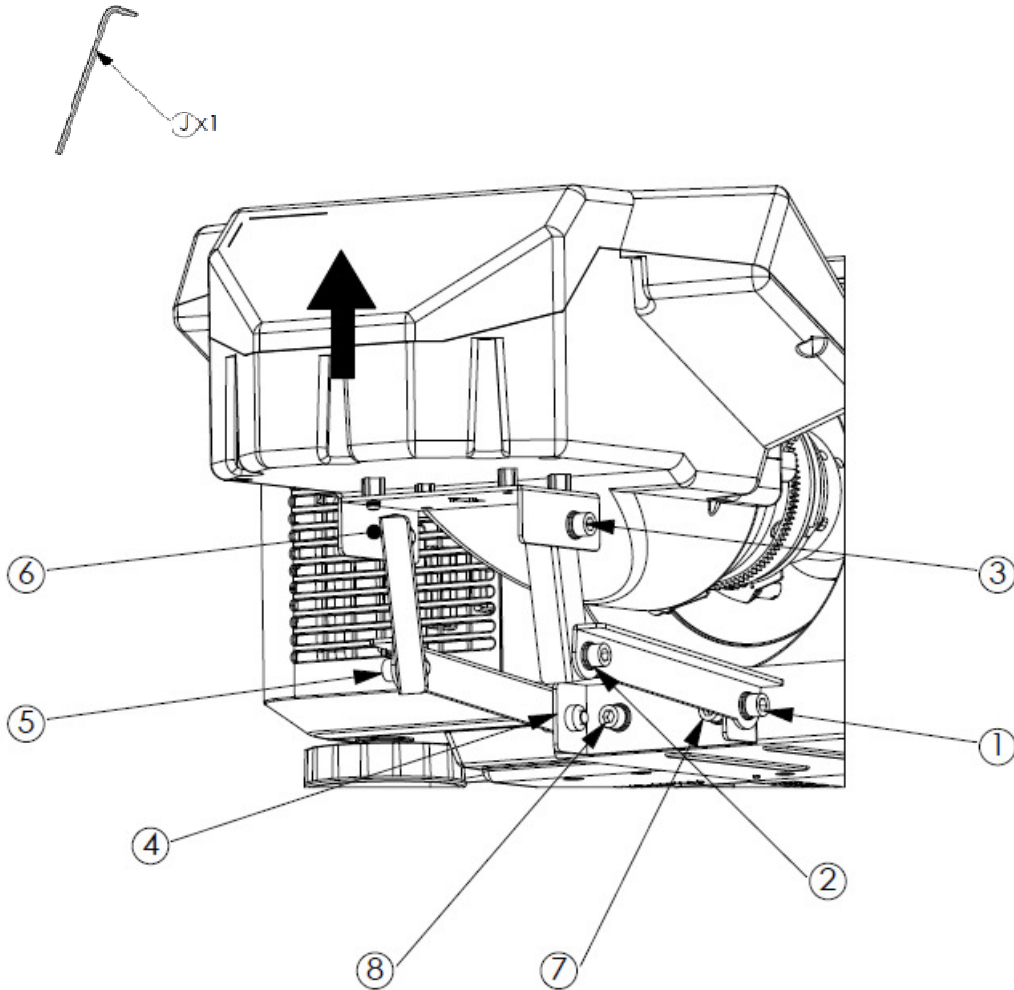
4. Adjust Lens position for projection
 - a. Plug in the power cable
 - b. Turn on the AC switch then turn the projector on by power button.
 - c. Adjust the lens to initial position for projection by Lens Shift buttons.
 - **For the models supported Lens Memory function**
 - Perform Center Lens function to calibrate projection lens, the calibration can get more precise lens adjustment.
 - If the projector you purchased supports to Lens type setting, you can select the UST Lens option to set initial projection position for Ultra Short Throw Lens. Once the UST Lens option is set, the lens is moved to initial working position automatically.
 - Tune the lens position by lens shift button to the desired projection position.
 Note: The initial position can get best projection performance, some of Vivitek projectors may offers wider adjustable shift range for flexibility in installation. Please tune the lens shift to desired position and check the projection performance.

For the model doesn't support to Lens Memory function

- Press Lens shift to move the lens up till the bottom of image is not shaded by the top of front cover and entire image can be projected to screen.
 - Tune the lens position by lens shift button to the desired projection position.
 Note: The initial position can get best projection performance, some of Vivitek projectors may offers wider adjustable shift range for flexibility in installation. Please tune the lens shift to desired position and check the projection performance
5. Joint brack E (projector) and brack F (Lens) with bracket H, I and screw C, note that the plastic washer C should be placed between two brackets as below illustration.



- Fix the support kits
Hold the lens and lift it a little, use wrench J to tighten each screw following below sequence.



Note: The projection lens is fixed firmly after you tighten the screws, make sure to loosen entire screws on the support kits before operating Lens Shift or Lens Center function.

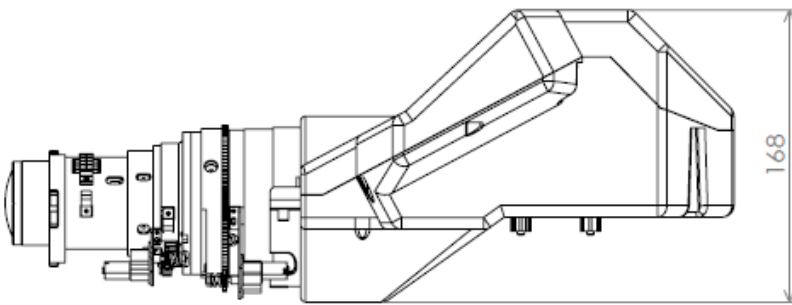
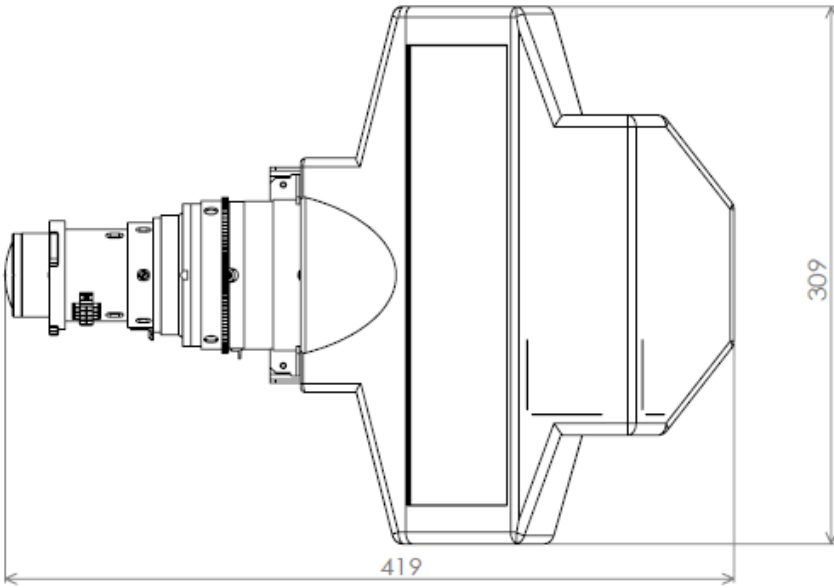
Adjust the focus and focus plane.

The lens is equipped with powered adjustment for the focus and focus plane

	Focus Adjustment : Adjust focus effect by FOCUS +/- buttons
	ZOOM +/- buttons: Adjust the focus plan by ZOOM +/- buttons

- Press FOCUS+ or FOCUS- button and check the focus effect on central area of the screen till you get the

Dimensions



About the VIVITEK support

If you cannot find solutions from this user guideline, please contact us using the contact information below:

North America

Vivitek Service Center
15700 Don Julian Road, Suite B
City of Industry, CA. 91745
U.S.A
Tel: 855-885-2378 (Toll-Free)
Email: T.services1@vivitekcorp.com
URL: www.vivitekusa.com

Europe and Africa

Vivitek Service & Support
Zandsteen 15
2132 MZ Hoofddorp
The Netherlands
Tel: +31 20 655 0960
Email: support@vivitek.eu
URL: www.vivitek.eu

China

Vivitek Service Center
201209, Room 1802, 18/F, Cimic Tower, No.1090, Century Avenue, Pudong, Shanghai
Tel: 400-888-3526 (Toll-Free)
Tel: 021-58360088-142 (Direct)
Email: service@vivitek.com.cn
URL: www.vivitek.com.cn

Asia and Taiwan

VIVITEK after-sales service
Vivitek Corporation, Co., Ltd.
4F., No.186, Ruiguang Rd., Neihu Dist., Taipei City 11491
TEL: 86-28-797-2088
FAX: 86-26-600-2358
E-mail: kenny.chang@vivitek.com.tw
URL: www.vivitek.com.tw