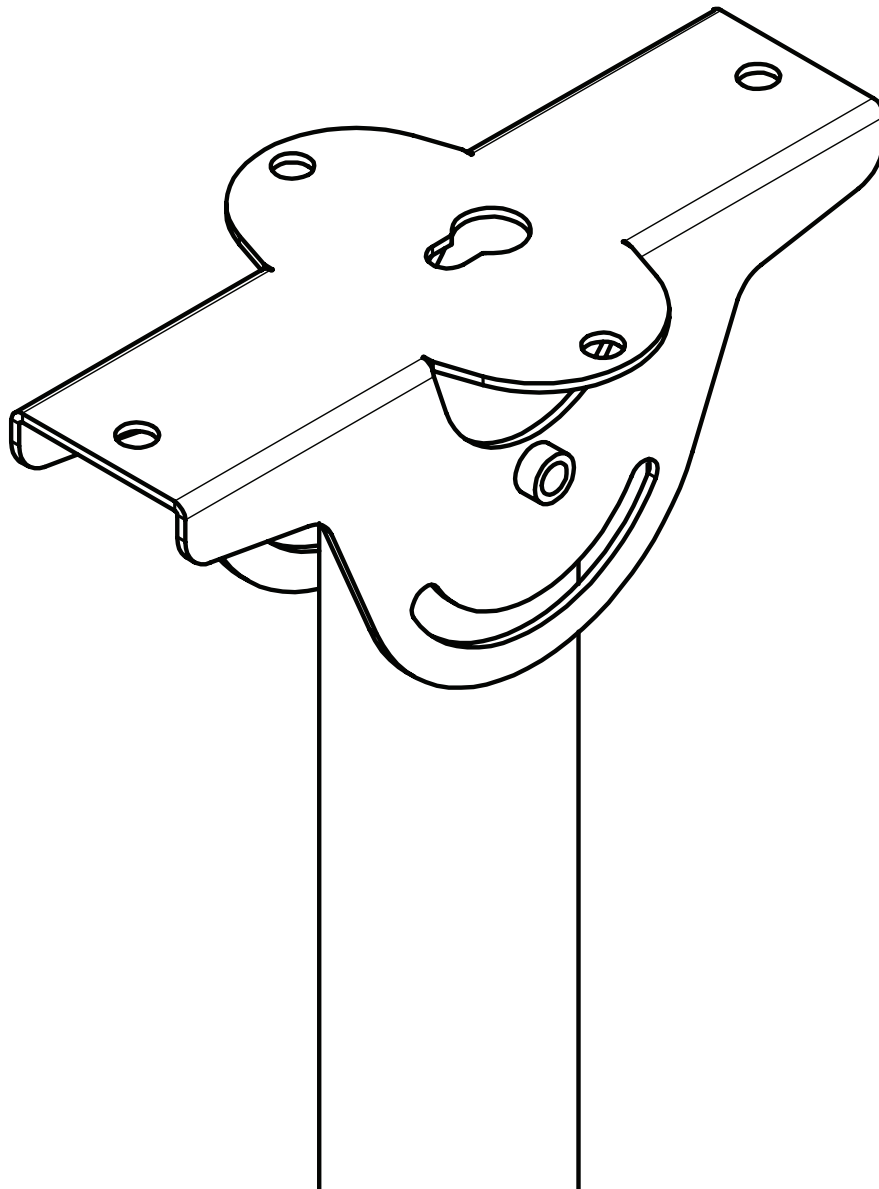




Installation and Assembly: Modular Series Cathedral Ceiling Plate

Model: MOD-CPC **Max. Load Capacity**
MOD-CPC 120kg (264lbs)



- $\pm 60^\circ$ tilt for cathedral or sloping ceilings
- Installs to concrete ceiling or wood joist ceiling
- Allows cable management through sides or ends of plate

Visit Peerless at www.peerless-av.co.uk



WARNING

- Do not begin to install your Peerless product until you have read and understood the instructions and warnings contained in this Installation Manual. If you have any questions regarding any of the instructions or warnings, please contact Peerless using the information on the back of this manual.
- This product should only be installed by someone of good mechanical aptitude, has experience with basic building construction and fully understands these instructions.
- Make sure that the supporting surface is in good condition and will safely support the combined load of the equipment and all attached hardware and components.
- Never exceed the Maximum Load Capacity on Page One.
- If mounting to wood stud or joist, make sure that mounting screws are anchored into the centre of the studs. Use of an "edge-to-edge" stud finder is highly recommended.
- If mounting to concrete, breeze block, brick or other masonry material, do not drill into mortar joints. Ensure screw and anchor are installed into solid areas of surface.
- Always use an assistant or mechanical lifting equipment to safely lift and position equipment.
- Tighten screws firmly, but do not overtighten. Overtightening can damage the screws, greatly reducing their holding power.
- This product is intended for indoor use only. Use of this product outdoors could lead to product failure and personal injury.
- This product was designed to be installed on the following surfaces only:

CEILING CONSTRUCTION HARDWARE

- Concrete Included
- Wood joist Included
- Other surfaces See Accessories or contact Peerless

Accessories

MOD-AUB U-bolt Accessory for truss, pipe, Unistrut®, etc. 40-85mm.

Tools Needed for Assembly

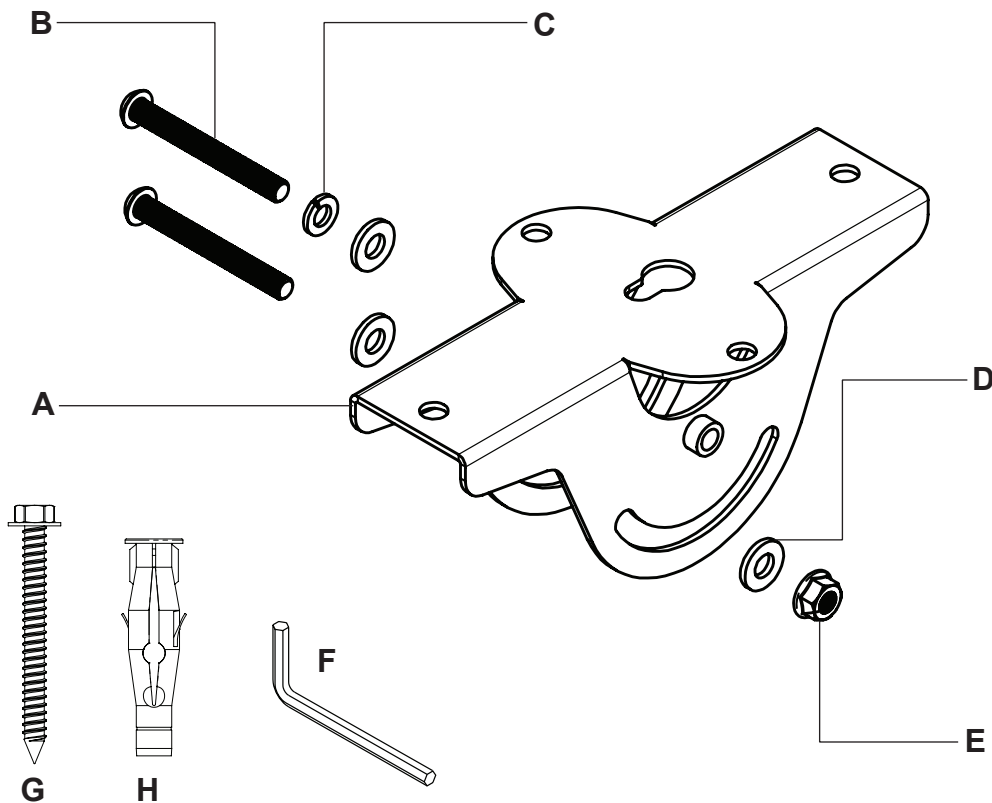
- Drill
- 10 mm (3/8") masonry drill bit for concrete
- 5mm (7/32") drill bit for wood joist
- 11mm (7/16") socket wrench for wood screw
- 13mm socket wrench for M8 lock nut
- Stud finder ("edge-to-edge" stud finder is recommended)

Parts List

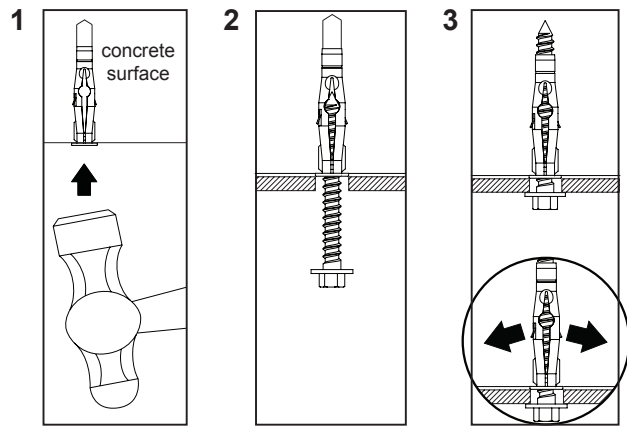
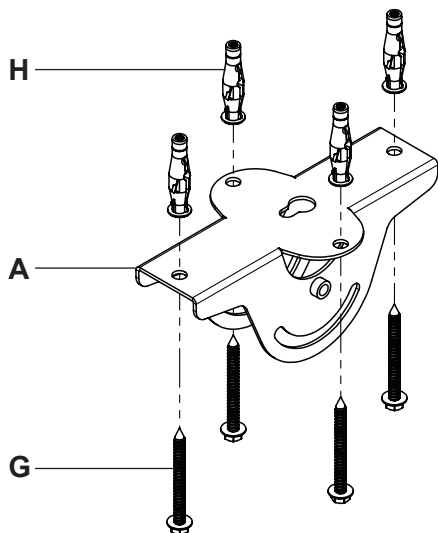
Qty

MOD-CPC Cathedral Ceiling Plate

		Qty
A	Cathedral ceiling plate	1
B	M8 x 65mm security socket button head screw	2
C	8mm split lock washer	1
D	8mm flat washer	3
E	M8 serrated flanged lock nut	1
F	5mm security Allen wrench	1
G	8mm x 76mm wood screw	4
H	10mm concrete anchor	4

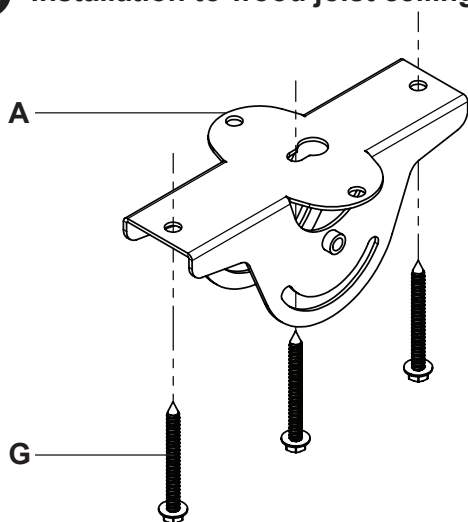


1a Installation to concrete ceiling



1. Use ceiling plate (A) as template to mark four hole centres as shown. Holes are 200mm x 100mm apart.
2. Drill 10mm x 76mm holes where marked and insert concrete anchors (H).
3. Place ceiling plate (A) over anchors (H) and secure with screws (G).
4. Tighten all screws.

1b Installation to wood joist ceiling



1. Using a stud finder, locate and mark the edges of the wood joist to be used in mounting this product. Mounting holes are 200mm x 100mm apart.
2. Use the ceiling plate (A) as template to mark the centres of holes along the middle of the joist.

If installing to a single wood joist along direction of tilt, mark three holes as shown along centre of wood joist.

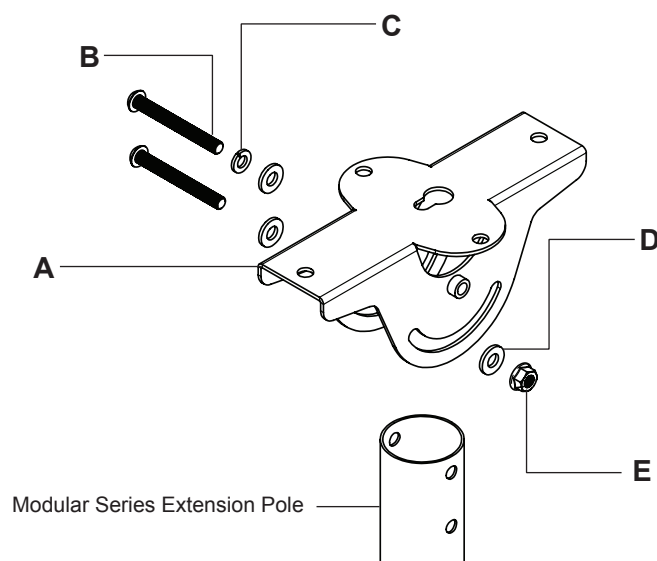
If attaching perpendicular to direction of tilt to two wood joists on 200mm centres, or wood surface that can accommodate 200mm centres, mark two outer holes along joist centres.

3. Drill 5mm x 76mm holes where marked.
4. Attach ceiling plate (A) to ceiling using wood screws (G).
5. Tighten all screws.

2 Fixing a Pole to the Cathedral Ceiling Plate

Refer to the figure on right on how to connect and secure the ceiling plate (A) to a Modular Series extension pole (sold separately).

Follow instruction manual(s) located with your other mount components to complete assembly.





Peerless-AV UK

Unit 3 Watford Interchange, Colonial Way, Watford, Herts WD24 4WP,
United Kingdom

Tel: +44 (0)1923 200 100
Fax: +44 (0)1923 200 101
Email: info@peerless-av.co.uk
Web: www.peerless-av.co.uk

BBG Distribution Ltd, trading as Peerless-AV UK



Peerless-AV Europe

Unit 3 Watford Interchange, Colonial Way, Watford, Herts WD24 4WP,
United Kingdom

Tel: +44 (0)1923 200 100
Fax: +44 (0)1923 200 101
Email: info@peerless-av.eu.com
Web: www.peerless-av.eu.com

BBG Distribution Ltd, trading as Peerless-AV Europe

peerless®